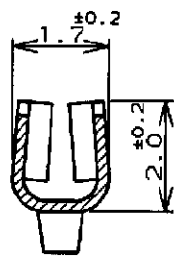
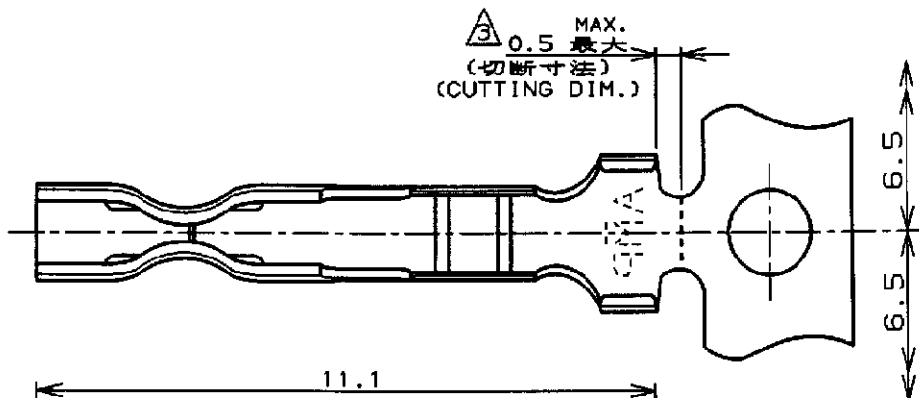
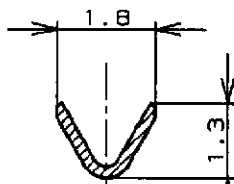
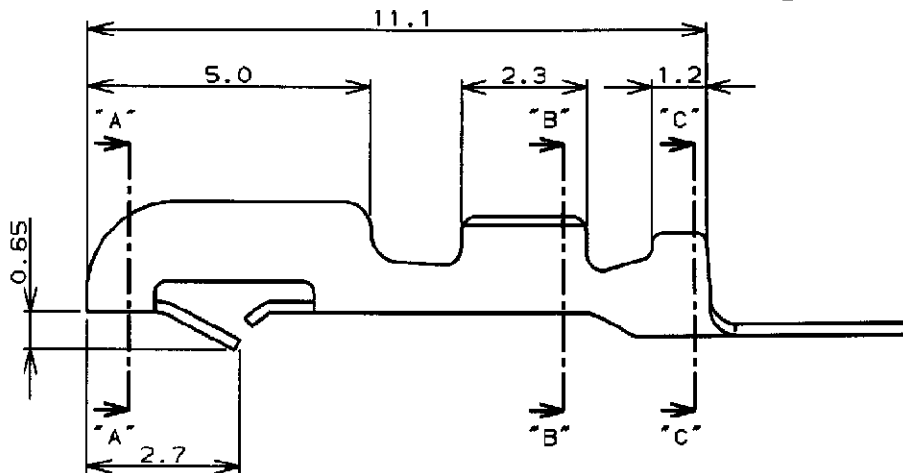


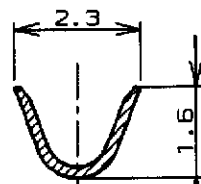
LOC	DIST	REVISIONS						
		P	LTR	DESCRIPTION	ECN	DATE	DWN	APVD
J			A	REDRAWN	FJ00-1640-97	31.OCT.97	H.H	S.K



断面 "A"- "A"  
SECT.



断面 "B"- "B"  
SECT.



断面 "C"- "C"  
SECT.

NOTES:

1. HOUSINGS, P/N:171822 AND 171880 ARE USED.
2. L/P CONTACT P/N:170205-3.
- ③ HAND TOOL P/N:722561-1.

注記:

1. 使用ハウジングは製品型番:171822及び171880.
2. L/P端子 製品型番:170205-3.
- ③ 適用手動工具 製品型番:722561-1.

THIS DRAWING IS UNPUBLISHED.  
BY AMP INCORPORATED. ALL RIGHTS RESERVED.  
COPYRIGHT 19

WIRE RANGE 包含電線断面積 0.05~0.15mm <sup>2</sup> (AWG30~26)	INSULATION DIA 被覆外径 1.0~1.4mm
--	-------------------------------------

MATERIAL PHOS BR 材料 0.2mm THICKNESS	FINISH 仕上 GOLD PLATING
--	---------------------------

**AMP** 日本エー・エム・ピー株式会社  
Kawasaki, Japan

NAME 名称	CONTACT (AMP EI SERIES CONNECTOR)
------------	-----------------------------------

SIZE	A	CAGE CODE	00779	DRAWING NO 番号	C-170263-3
------	---	-----------	-------	------------------	------------

DIMENSIONS:  
単位 純  
mm

TOLERANCES UNLESS OTHERWISE SPECIFIED:

一般公差

10% : ±0.4  
50% : ±0.4  
100% : ±0.4  
ANGLE : ±1°0'

WGT  
—

CUSTOMER DRAWING

DWN  
31.OCT.97  
*H. Hoshino*

CHK  
31.OCT.97  
*A. Tomiyama*

APVD  
41NOV.97  
*S. Kobayashi*

PRODUCT SPEC  
製品規格  
108-5118

APPLICATION SPEC  
取付適用規格  
114-5035

SCALE 尺度	8-1	SHEET	1	OF	1	REV	A
-------------	-----	-------	---	----	---	-----	---

# Mouser Electronics

Authorized Distributor

Click to View Pricing, Inventory, Delivery & Lifecycle Information:

[TE Connectivity:](#)

[170263-3](#)