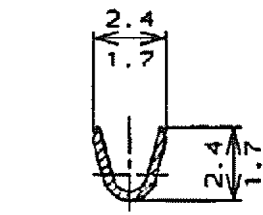
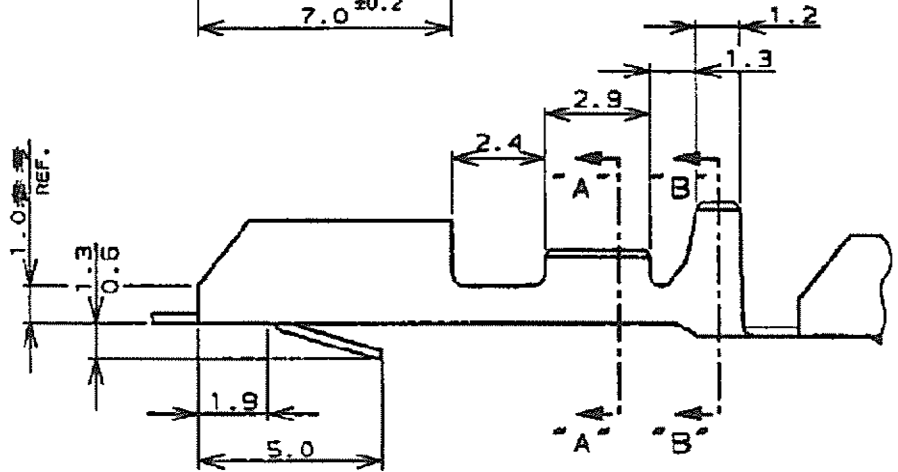
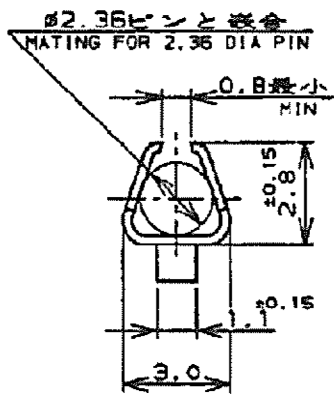
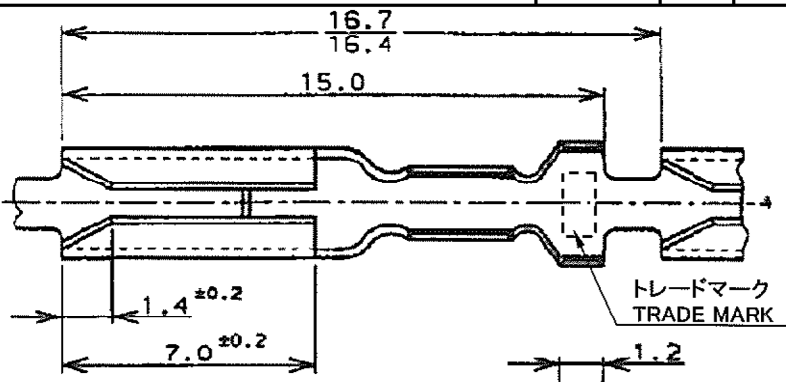


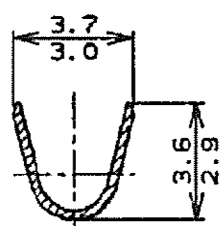
RELEASED FOR PUBLICATION
ALL RIGHTS RESERVED.

THIS DRAWING IS UNPUBLISHED.
© COPYRIGHT 19

REV. NO.	DATE	BY	APPROVED
M2	15NOV2017	BDA	FV
M3	23SEP2019	PC	TD



断面 "A" - "A" SECT.



断面 "B" - "B" SECT.

OBSOLETE	-	-	4-170073-2
OBSOLETE	-	黄銅0.25t (BRASS)	170073-7
OBSOLETE	錫めっき済・機質銅0.25t (PRE-TIN PHOS. BRONZE)	-	170073-6
	錫めっき済・黄銅0.25t (PRE-TIN BRASS)	-	170073-5
	錫めっき (POST-TIN)	黄銅0.25t (BRASS)	170073-2
	仕上 (FINISH)	材料 (MATERIAL)	型番 (PART No.)

WIRE RANGE 仕上電線断面積 0.2~0.56mm ² (AWG#24~#20)	INSULATION DIA 被覆外径 1.2~2.79mm
---	--------------------------------------

DIMENSIONS:
単位 ㎜

TOLERANCES UNLESS OTHERWISE SPECIFIED.

公差
10mm ±0.2
30mm ±0.25
100mm ±0.3
ANGLE ±0.3°

±0.25
±1.0°

OWN: *N. Nishino* 4/24 96

CHK: *S. Sugita* 24 APR '96

APVD: *S. Sugita* 25 APR '96

PRODUCT SPEC
製品規格
108-5014
108-5054

APPLICATION SPEC
取付適用規格

WEIGHT

CUSTOMER DRAWING

MATERIAL 表参照 SEE TABLE

FINISH 仕上 表参照 SEE TABLE

STE TE Connectivity

NAME 品名
ø2.36用ピンリセプタクル
2.36 DIA PIN RECEPTACLE

SIZE A4 CAGE CODE 00779 DRAWING NO. C-170073

SCALE 尺度 1:5 SHEET 1 OF 1 REV M3

顧客用図面

Mouser Electronics

Authorized Distributor

Click to View Pricing, Inventory, Delivery & Lifecycle Information:

[TE Connectivity:](#)

[170073-2](#)