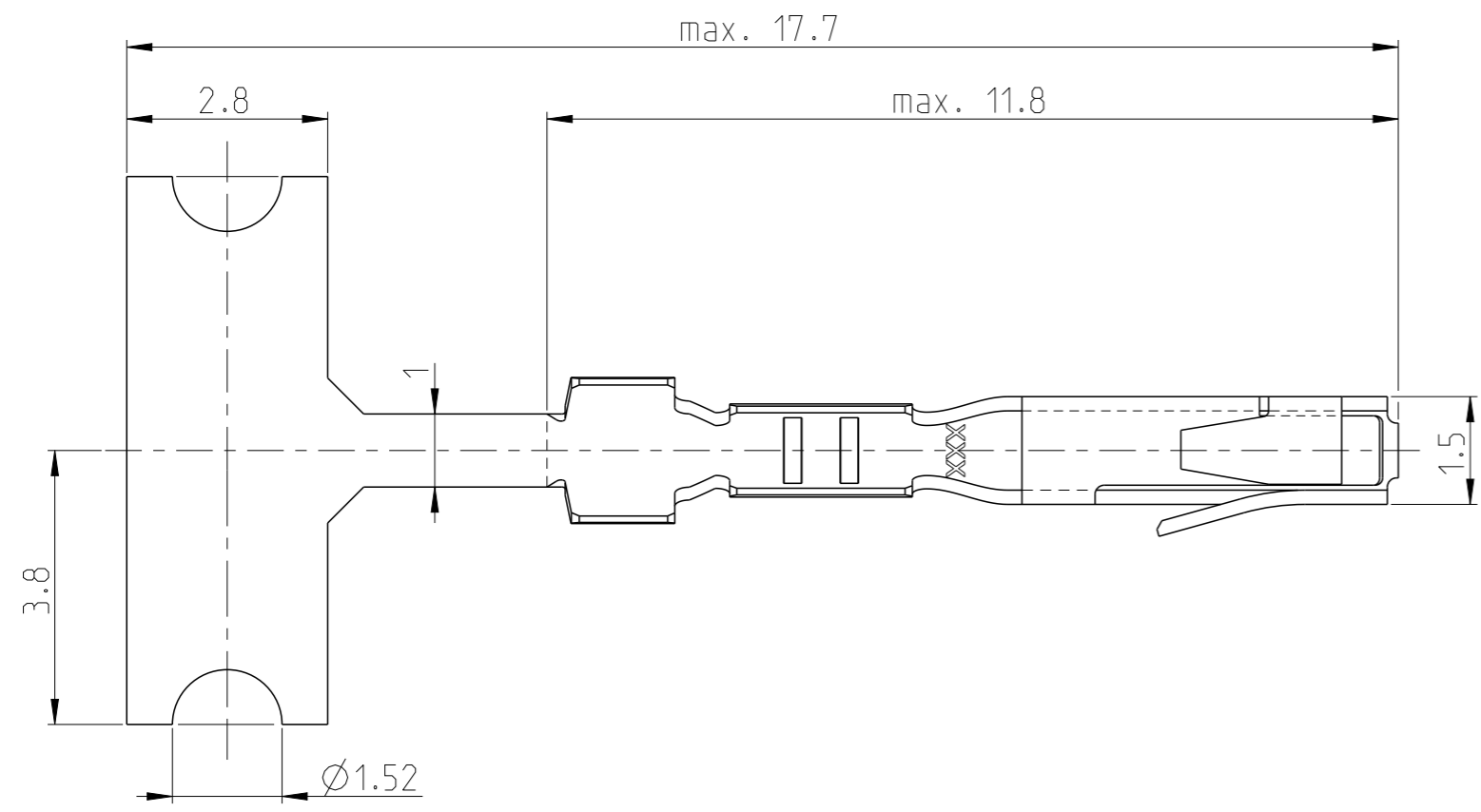


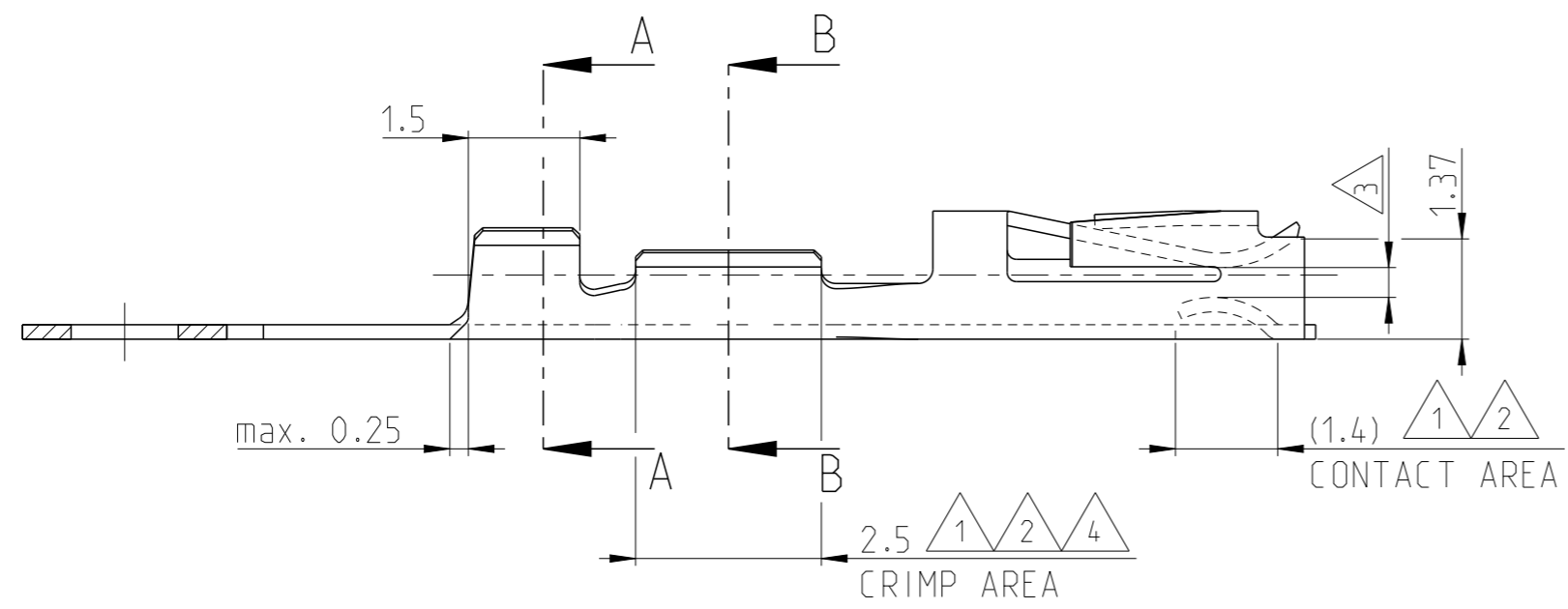
THIS DRAWING IS UNPUBLISHED. RELEASED FOR PUBLICATION 20  
 © COPYRIGHT - BY - ALL RIGHTS RESERVED.

REVISIONS				
P	LTR	DESCRIPTION	DATE	APVD
	E	EH-0760-96	28JUNE1996	J.G. R.v.L.
	E1	ECO-09-021510	15SEP2009	KK AEG
	E2	NEW DRAWING CREATED IN CREO	26JUNE2014	JB JH BRUN



NOTES:

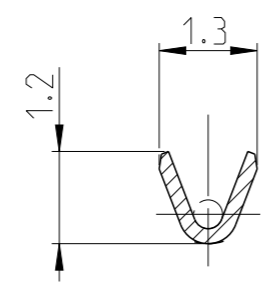
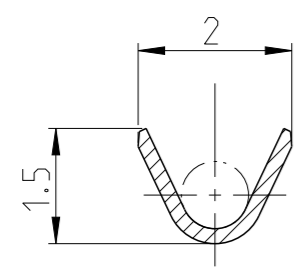
- 1 UNDERCOATING: 0.8 µm NICKEL OVERALL.  
CONTACT AREA: 0.8 µm GOLD.  
CRIMP AREA: GOLDFLASH
- 2 UNDERCOATING: 0.8 µm NICKEL OVERALL.  
CONTACT AREA: 1.25 µm GOLD.  
CRIMP AREA: GOLDFLASH
- 3 SUITABLE FOR 0.64x0.64 POST.
- 4 UNDERCOATING: 0.8 µm NICKEL OVERALL.  
CONTACT AREA: 0.4 µm GOLD.  
CRIMP AREA: GOLDFLASH.
- 5 ADVANCED PROD. NRS. FOR DIN 41612 PART 5 SPEC.
- 6 OBSOLETE PARTS: OBSOLETE CIS STREAMLINING PER D.RENAUD/D.SINISI.



WIRE RANGE:  
28-32 AWG  
0.03-0.09 mm<sup>2</sup>  
INSULATION RANGE:  
0.5-1.02 DIA.

SECTION A-A

SECTION B-B



5 167042-4	4	PHOSPHORBRONZE	6 167041-7
6 167042-2	2		6 167041-4
167042-1	1		167041-2
LOOSE PIECE NUMBER	PLATING	MATERIAL	STRIPNUMBER

DIMENSIONS:		TOLERANCES UNLESS OTHERWISE SPECIFIED:	
mm		n. ISO 8015 n. ISO 2768-mH	
	0 PLC	±	
	1 PLC	±	
	2 PLC	±	
	3 PLC	±	
	4 PLC	±	
	ANGLES	±	
MATERIAL	FINISH	-	-

DWN J.Gibbels	22FEB1991	<b>STE</b> TE Connectivity	
CHK R.v.Lokven	-		
APVD R.Smeets	-	NAME STANDARD TANDEM SPRING RECEPTACLE	
PRODUCT SPEC -	-	SIZE A3	CAGE CODE 00779
APPLICATION SPEC -	-	DRAWING NO C=167041	RESTRICTED TO -
WEIGHT -	-	SCALE 10:1	SHEET 1 OF 1
Customer Drawing	-	REV E2	-

# Mouser Electronics

Authorized Distributor

Click to View Pricing, Inventory, Delivery & Lifecycle Information:

[TE Connectivity:](#)

[167041-2](#)