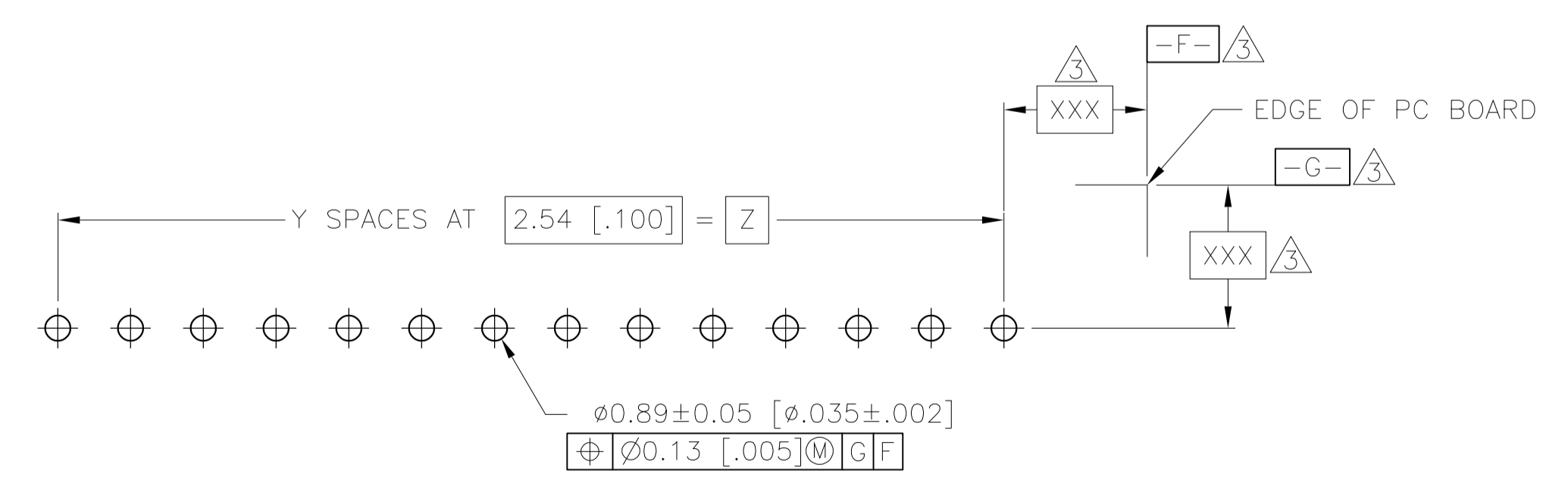
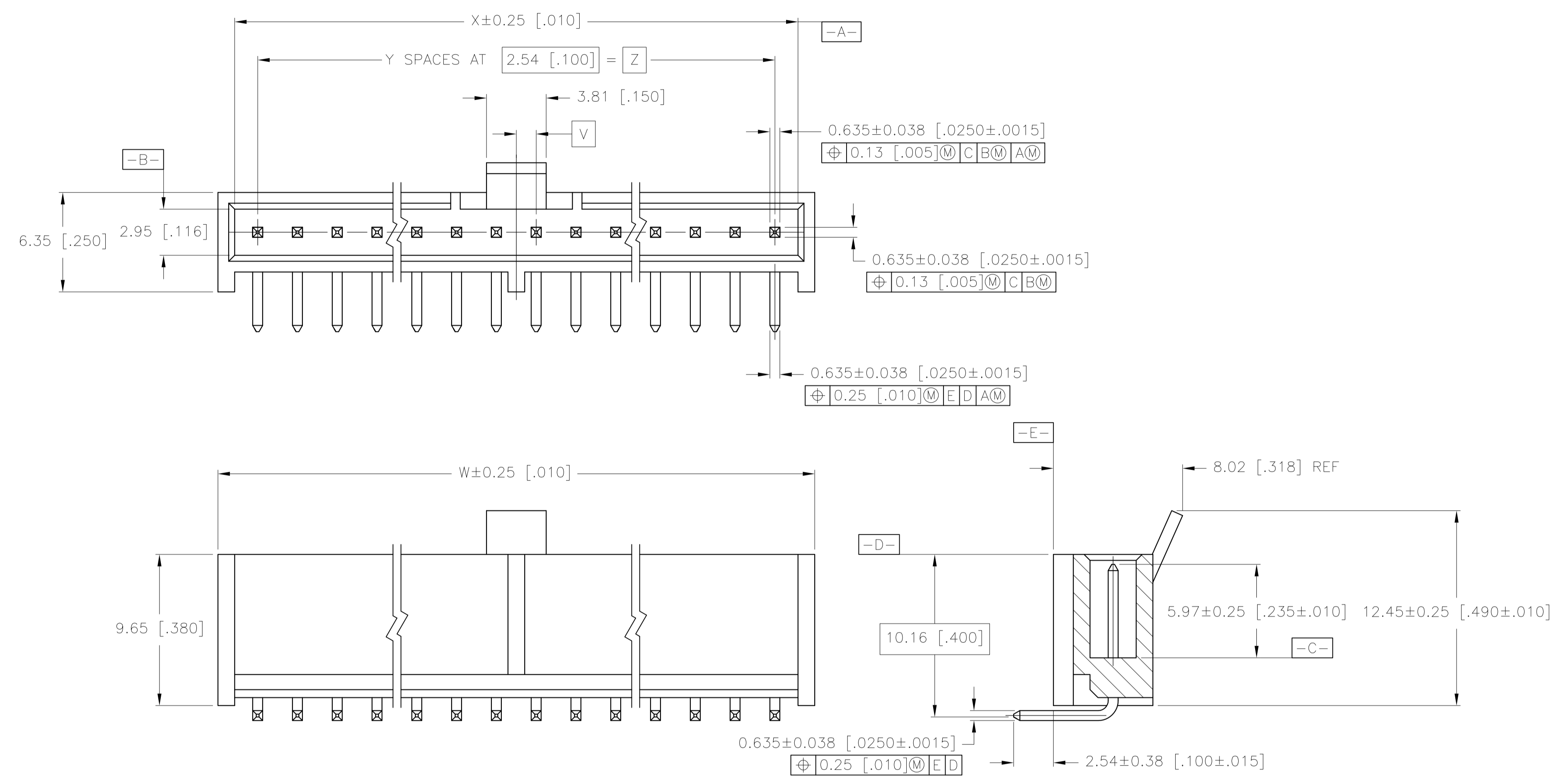


- △ HOUSING: NYLON, 94V-0 RATED, COLOR BLUE. CONTACTS: PHOSPHOR BRONZE.
- △ CONTACTS: 0.00254 [.000100] MIN TIN OVER 0.00127 [.000050] MIN NICKEL.
- △ DATUMS AND BASIC DIMENSIONS TO BE ESTABLISHED BY CUSTOMER.
- △ CONTACTS: 0.00076 [.000030] MIN GOLD IN CONTACT AREA. 0.00254 [.000100] MIN TIN ON SOLDER POST, ALL OVER 0.00127 [.000050] MIN NICKEL.



FINISH	Z	Y	X	W	V	NO OF POS	PART NUMBER
△	78.74 [3.100]	31	81.69 [3.216]	83.82 [3.300]	1.27 [.050]	32	5-1658548-8
△	78.74 [3.100]	31	81.69 [3.216]	83.82 [3.300]	1.27 [.050]	32	5-1658548-7
△	76.20 [3.000]	30	79.15 [3.116]	81.28 [3.200]	0.00 [.000]	31	5-1658548-6
△	76.20 [3.000]	30	79.15 [3.116]	81.28 [3.200]	0.00 [.000]	31	5-1658548-5
△	73.66 [2.900]	29	76.61 [3.016]	78.74 [3.100]	1.27 [.050]	30	5-1658548-4
△	73.66 [2.900]	29	76.61 [3.016]	78.74 [3.100]	1.27 [.050]	30	5-1658548-3
△	71.12 [2.800]	28	74.07 [2.916]	76.20 [3.000]	0.00 [.000]	29	5-1658548-2
△	71.12 [2.800]	28	74.07 [2.916]	76.20 [3.000]	0.00 [.000]	29	5-1658548-1
△	68.58 [2.700]	27	71.53 [2.816]	73.66 [2.900]	1.27 [.050]	28	5-1658548-0
△	68.58 [2.700]	27	71.53 [2.816]	73.66 [2.900]	1.27 [.050]	28	4-1658548-9
△	66.04 [2.600]	26	68.99 [2.716]	71.12 [2.800]	0.00 [.000]	27	4-1658548-8
△	66.04 [2.600]	26	68.99 [2.716]	71.12 [2.800]	0.00 [.000]	27	4-1658548-7
△	63.50 [2.500]	25	66.45 [2.616]	68.58 [2.700]	1.27 [.050]	26	4-1658548-6
△	63.50 [2.500]	25	66.45 [2.616]	68.58 [2.700]	1.27 [.050]	26	4-1658548-5
△	60.96 [2.400]	24	63.91 [2.516]	66.04 [2.600]	0.00 [.000]	25	4-1658548-4
△	60.96 [2.400]	24	63.91 [2.516]	66.04 [2.600]	0.00 [.000]	25	4-1658548-3
△	58.42 [2.300]	23	61.37 [2.416]	63.50 [2.500]	1.27 [.050]	24	4-1658548-2
△	58.42 [2.300]	23	61.37 [2.416]	63.50 [2.500]	1.27 [.050]	24	4-1658548-1
△	55.88 [2.200]	21	58.83 [2.316]	60.96 [2.400]	0.00 [.000]	23	4-1658548-0
△	55.88 [2.200]	21	58.83 [2.316]	60.96 [2.400]	0.00 [.000]	23	3-1658548-9
△	50.80 [2.000]	20	53.75 [2.116]	55.88 [2.200]	0.00 [.000]	21	3-1658548-8
△	50.80 [2.000]	20	53.75 [2.116]	55.88 [2.200]	0.00 [.000]	21	3-1658548-7
△	48.26 [1.900]	19	51.21 [2.016]	53.34 [2.100]	1.27 [.050]	20	3-1658548-6
△	48.26 [1.900]	19	51.21 [2.016]	53.34 [2.100]	1.27 [.050]	20	3-1658548-5
△	45.72 [1.800]	18	48.67 [1.916]	50.80 [2.000]	0.00 [.000]	19	3-1658548-4
△	45.72 [1.800]	18	48.67 [1.916]	50.80 [2.000]	0.00 [.000]	19	3-1658548-3
△	43.18 [1.700]	17	46.13 [1.816]	48.26 [1.900]	1.27 [.050]	18	3-1658548-2
△	43.18 [1.700]	17	46.13 [1.816]	48.26 [1.900]	1.27 [.050]	18	3-1658548-1
△	40.64 [1.600]	16	43.59 [1.716]	45.72 [1.800]	0.00 [.000]	17	3-1658548-0
△	40.64 [1.600]	16	43.59 [1.716]	45.72 [1.800]	0.00 [.000]	17	2-1658548-9
△	38.10 [1.500]	15	41.05 [1.616]	43.18 [1.700]	1.27 [.050]	16	2-1658548-8
△	38.10 [1.500]	15	41.05 [1.616]	43.18 [1.700]	1.27 [.050]	16	2-1658548-7
△	35.56 [1.400]	14	38.51 [1.516]	40.64 [1.600]	0.00 [.000]	15	2-1658548-6
△	35.56 [1.400]	14	38.51 [1.516]	40.64 [1.600]	0.00 [.000]	15	2-1658548-5
△	33.02 [1.300]	13	35.97 [1.416]	38.10 [1.500]	1.27 [.050]	14	2-1658548-4
△	33.02 [1.300]	13	35.97 [1.416]	38.10 [1.500]	1.27 [.050]	14	2-1658548-3
△	30.48 [1.200]	12	33.43 [1.316]	35.56 [1.400]	0.00 [.000]	13	2-1658548-2
△	30.48 [1.200]	12	33.43 [1.316]	35.56 [1.400]	0.00 [.000]	13	2-1658548-1
△	27.94 [1.100]	11	30.89 [1.216]	33.02 [1.300]	1.27 [.050]	12	2-1658548-0
△	27.94 [1.100]	11	30.89 [1.216]	33.02 [1.300]	1.27 [.050]	12	1-1658548-9
△	25.40 [1.000]	10	28.35 [1.116]	30.48 [1.200]	0.00 [.000]	11	1-1658548-8
△	25.40 [1.000]	10	28.35 [1.116]	30.48 [1.200]	0.00 [.000]	11	1-1658548-7
△	22.86 [0.900]	9	25.81 [1.016]	27.94 [1.100]	1.27 [.050]	10	1-1658548-6
△	22.86 [0.900]	9	25.81 [1.016]	27.94 [1.100]	1.27 [.050]	10	1-1658548-5
△	20.32 [0.800]	8	23.27 [0.916]	25.40 [1.000]	0.00 [.000]	9	1-1658548-4
△	20.32 [0.800]	8	23.27 [0.916]	25.40 [1.000]	0.00 [.000]	9	1-1658548-3
△	17.78 [0.700]	7	20.73 [0.816]	22.86 [0.900]	1.27 [.050]	8	1-1658548-2
△	17.78 [0.700]	7	20.73 [0.816]	22.86 [0.900]	1.27 [.050]	8	1-1658548-1
△	15.24 [0.600]	6	18.19 [0.716]	20.32 [0.800]	0.00 [.000]	7	1-1658548-0
△	15.24 [0.600]	6	18.19 [0.716]	20.32 [0.800]	0.00 [.000]	7	1658548-9
△	12.70 [0.500]	5	15.65 [0.616]	17.78 [0.700]	1.27 [.050]	6	1658548-8
△	12.70 [0.500]	5	15.65 [0.616]	17.78 [0.700]	1.27 [.050]	6	1658548-7
△	10.16 [0.400]	4	13.11 [0.516]	15.24 [0.600]	0.00 [.000]	5	1658548-6
△	10.16 [0.400]	4	13.11 [0.516]	15.24 [0.600]	0.00 [.000]	5	1658548-5
△	7.62 [0.300]	3	10.57 [0.416]	12.70 [0.500]	1.27 [.050]	4	1658548-4
△	7.62 [0.300]	3	10.57 [0.416]	12.70 [0.500]	1.27 [.050]	4	1658548-3
△	53.34 [2.100]	21	56.29 [2.216]	58.42 [2.300]	1.27 [.050]	22	1658548-2
△	53.34 [2.100]	21	56.29 [2.216]	58.42 [2.300]	1.27 [.050]	22	1658548-1

THIS DRAWING IS A CONTROLLED DOCUMENT.

DIMENSIONS: mm [INCHES]

TOLERANCES UNLESS OTHERWISE SPECIFIED:

0 PLC	± -
1 PLC	± -
2 PLC	± 0.13 [.005]
3 PLC	± -
4 PLC	± -
ANGLES	± -

MATERIAL: SEE TABLE

FINISH: SEE TABLE

WEIGHT: A1

CUSTOMER DRAWING

SCALE: 5:1

SHEET: 1 of 1

REV: B

APPROVED: M. WALMSLEY

NAME: HEADER ASSY, RIGHT ANGLE, SINGLE ROW, FLEXPAC

SIZE: A1

CAGE CODE: 00779

DRAWING NO: 1658548

RESTRICTED TO:

THIS DRAWING IS A CONTROLLED DOCUMENT.

DIN: J. GERACE

CHK: S. BOLASH

APPROVED: M. WALMSLEY

NAME: HEADER ASSY, RIGHT ANGLE, SINGLE ROW, FLEXPAC

SIZE: A1

CAGE CODE: 00779

DRAWING NO: 1658548

RESTRICTED TO:

THIS DRAWING IS A CONTROLLED DOCUMENT.

DIN: J. GERACE

CHK: S. BOLASH

APPROVED: M. WALMSLEY

NAME: HEADER ASSY, RIGHT ANGLE, SINGLE ROW, FLEXPAC

SIZE: A1

CAGE CODE: 00779

DRAWING NO: 1658548

RESTRICTED TO:

Mouser Electronics

Authorized Distributor

Click to View Pricing, Inventory, Delivery & Lifecycle Information:

[TE Connectivity:](#)

[1-1658548-7](#)