

THIS DRAWING IS UNPUBLISHED.

RELEASED FOR PUBLICATION

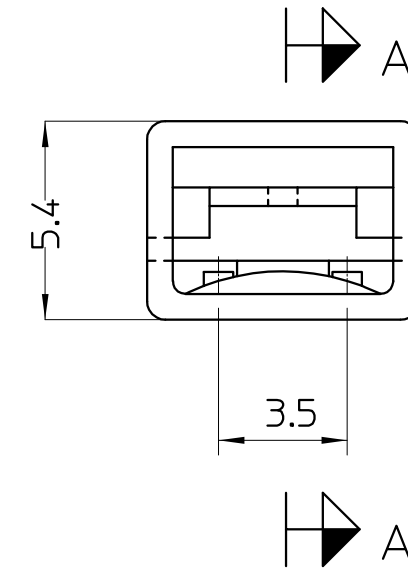
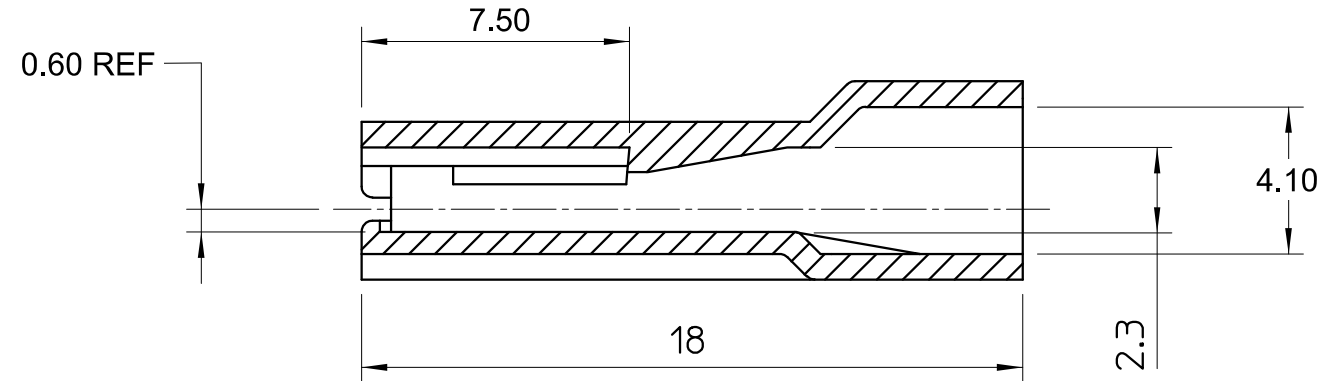
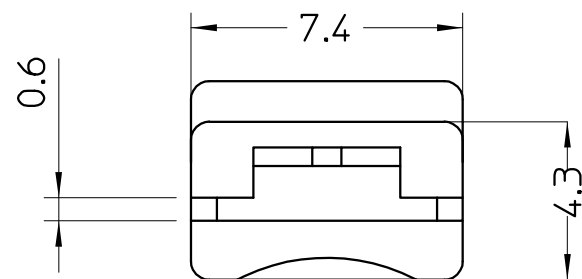
ALL RIGHTS RESERVED.

COPYRIGHT

LOC U DIST -

REVISIONS

P	LTR	DESCRIPTION	DATE	DWN	APVD
A		REVISED PER ECO-14-016770	08NOV2014	NK	RH



SECTION A-A

NOTES:

INSULATOR DESIGNED FOR USE WITH 4.8 QC RECEPTACLE TYCO P/N 1627099 (UTILUX PART No. H2590)

OBSOLETE	NYLON 66 GF HEAT STABILISED	INSULATOR, POST FIT H2801B	1-1627121-2
	NYLON 66 NATURAL	INSULATOR, POST-FIT H2801	1-1627121-1
	MATERIAL DESC.	DESCRIPTION	PART No.

THIS DRAWING IS A CONTROLLED DOCUMENT.		DWN: W.RIEDE 25.4.06	TE TE Connectivity			
ALL DIMENSIONS IN mm:		CHK: H.THAI 01.05.06				
	TOLERANCES UNLESS OTHERWISE SPECIFIED: DIMENSION (mm) TOLERANCE(+/-mm) LESS THAN 10 0.40 OVER 10 TO 30 0.50 OVER 30 TO 80 0.70 OVER 80 TO 250 1.00 ANGLES ±2°	APVD: W.RIEDE 01.06.06	NAME: INSULATOR, POST-FIT			
		MATERIAL: -	FINISH: -	PRODUCT SPEC: -	APPLICATION SPEC: -	
		WEIGHT: -	SIZE: A3	CAGE CODE: -	DRAWING NO: ©-1627121	RESTRICTED TO: -
CUSTOMER DRAWING			SCALE: 5:1	SHEET: 1 OF 1	REV: A	

Mouser Electronics

Authorized Distributor

Click to View Pricing, Inventory, Delivery & Lifecycle Information:

[TE Connectivity:](#)

[1-1627121-1](#)