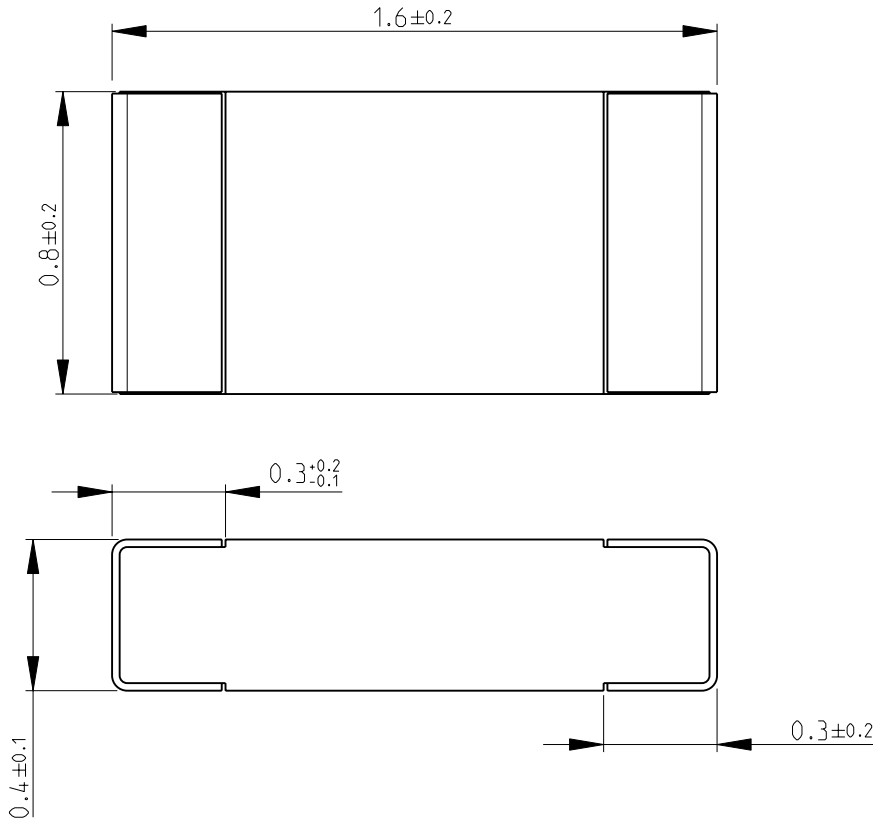
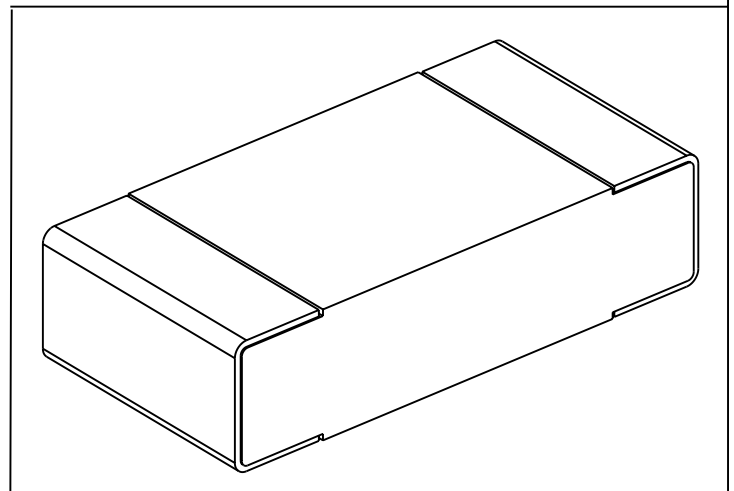


LOC	DIST	REVISIONS					
E	B	P	LTR	DESCRIPTION	DATE	DWN	APVD
			BA	NEW RELEASE	03MAY2010	PT	St.P

FOR FURTHER INFORMATION SEE DATA SHEET FOR
RP73 SERIES-SMD HIGH POWER PRECISION RESISTORS



RoHS Compliant



2008

RELEASED FOR PUBLICATION

THIS DRAWING IS UNPUBLISHED.

BY TYCO ELECTRONICS CORPORATION. ALL RIGHTS RESERVED.



DIMENSIONS: mm	DWN	PARUSURAM.T	03MAY2010	MATERIAL	-	FINISH	-
	CHK	SUBHASH.M	03MAY2010	Tyco Electronics Corporation Dorcan, Swindon, SN3 5HH			
TOLERANCES UNLESS OTHERWISE SPECIFIED:	APVD	STEPHEN.P	03MAY2010				
0 PLC ± 0.2	PRODUCT SPEC	-	-	NAME SMD HIGH POWER PRECISION RESISTORS SERIES RP73 - 1J			
1 PLC ± 0.1	APPLICATION SPEC	-	-	SIZE	CAGE CODE	DRAWING NO	RESTRICTED TO
2 PLC \pm				A 4	00779	©- 1625867	-
3 PLC \pm				CUSTOMER DRAWING			
4 PLC \pm	WEIGHT	-	-	SCALE	50:1	SHEET	1 OF 1
ANGLES $\pm 5^\circ$				REV BA			

Mouser Electronics

Authorized Distributor

Click to View Pricing, Inventory, Delivery & Lifecycle Information:

[TE Connectivity:](#)

[3-1625867-6](#)