

4

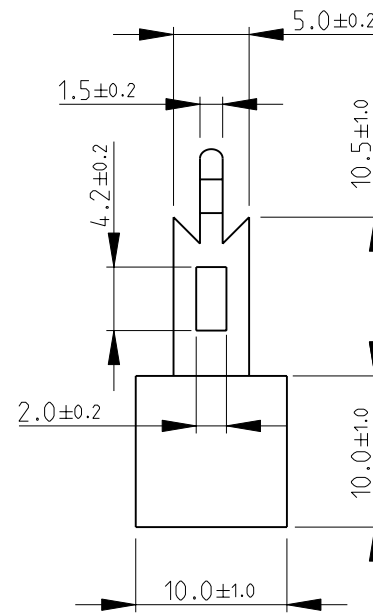
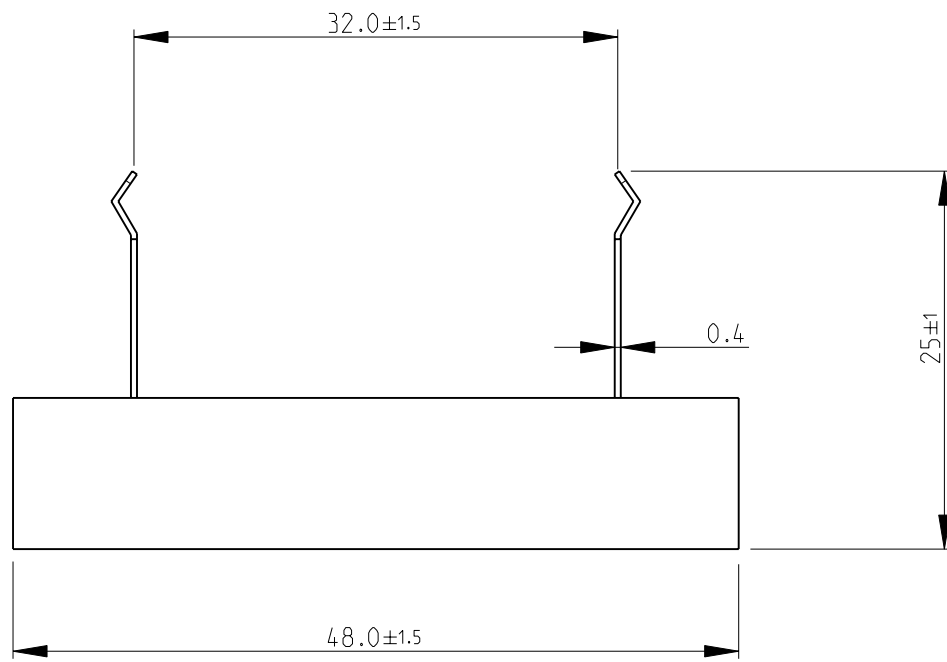
3

2

1

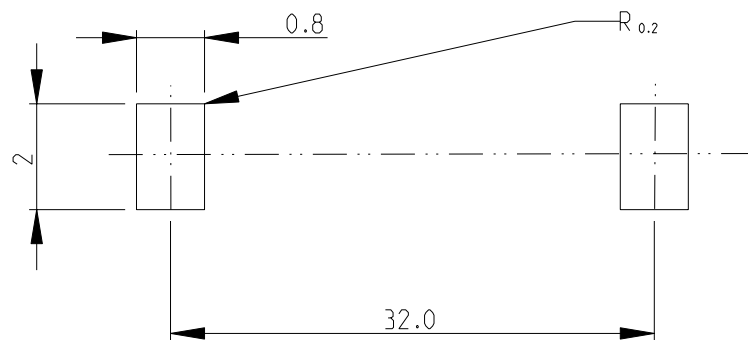
THIS DRAWING IS UNPUBLISHED. RELEASED FOR PUBLICATION 2009  
 © COPYRIGHT 2009 BY TYCO ELECTRONICS CORPORATION. ALL INTERNATIONAL RIGHTS RESERVED.

| LOC | DIST | REVISIONS   |             |           |         |
|-----|------|-------------|-------------|-----------|---------|
| P   | LTR  | DESCRIPTION | DATE        | DWN       | APVD    |
| E   | B    | BA          | NEW RELEASE | 14OCT2010 | PT St.P |
|     |      |             |             |           |         |
|     |      |             |             |           |         |

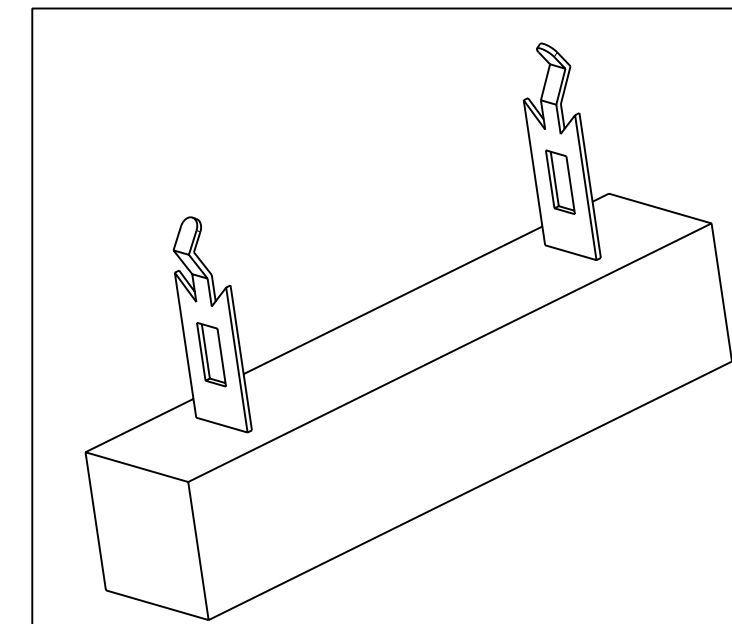


FOR FURTHER INFORMATION SEE DATA SHEET FOR HIGH POWER RESISTORS OF SQ SERIES

PCB HOLE DIMENSIONS



RoHS Compliant



|  |  |                              |  |                 |
|--|--|------------------------------|--|-----------------|
| THIS DRAWING IS A CONTROLLED DOCUMENT FOR TYCO ELECTRONICS CORPORATION IT IS SUBJECT TO CHANGE AND THE CONTROLLING ENGINEERING ORGANIZATION SHOULD BE CONTACTED FOR THE LATEST REVISION. |  | DWN 14OCT2010<br>PARUSURAM.T | Tyco Electronics Corporation<br>Dorcan, Swindon, SN3 5HH |                 |
| DIMENSIONS: mm   |  | CHK 14OCT2010<br>ALLAN.P     | NAME HIGH POWER RESISTORS SERIES SQZ10                   |                 |
| TOLERANCES UNLESS OTHERWISE SPECIFIED:   |  | APVD 14OCT2010<br>STEPHEN.P  | -  |                 |
| 0 PLC ±0.2   |  | PRODUCT SPEC -               | RESTRICTED TO -  |                 |
| 1 PLC ±0.1   |  | APPLICATION SPEC -           | SIZE A3  | CAGE CODE 00779 |
| 2 PLC ±  |  | WEIGHT -                     | DRAWING NO C-1623797                                     | SCALE 1:1       |
| 3 PLC ±  |  | CUSTOMER DRAWING             | SHEET 1 OF 1   | REV BA          |
| 4 PLC ±  |  |                              |  |                 |
| ANGLES ±5°   |  |                              |  |                 |
| FINISH -   |  |                              |  |                 |

# Mouser Electronics

Authorized Distributor

Click to View Pricing, Inventory, Delivery & Lifecycle Information:

[TE Connectivity:](#)

[1623797-2](#)