

THIS DRAWING IS UNPUBLISHED.

RELEASED FOR PUBLICATION

2009

© COPYRIGHT 2009

ALL RIGHTS RESERVED.

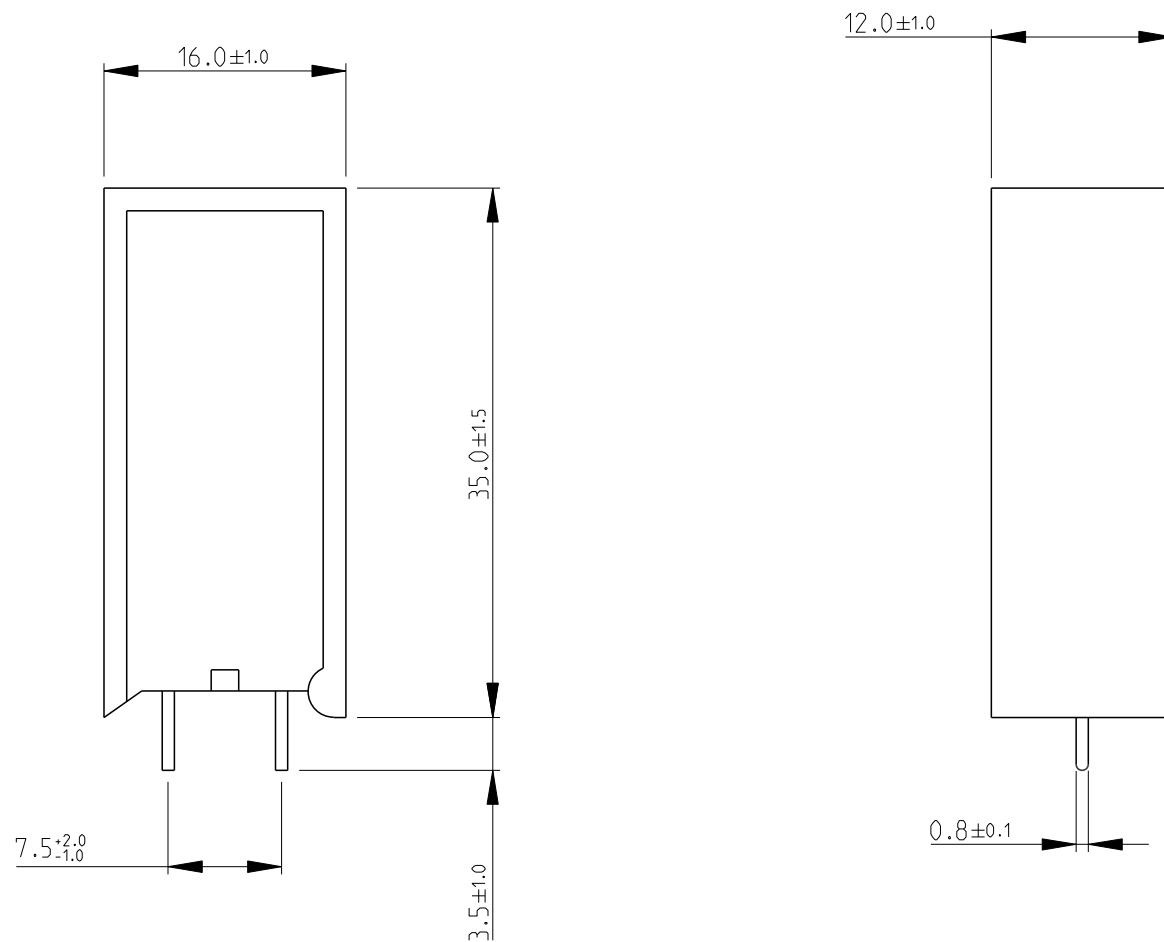
LOC  
E

DIST  
B

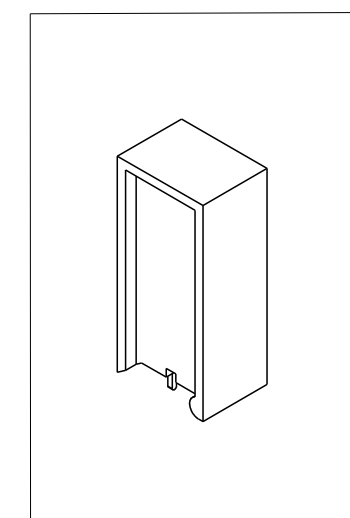
REVISIONS

P	LTR	DESCRIPTION	DATE	DWN	APVD
	BB	ECR-11-016776	13AUG2011	PSK	JC

FOR FURTHER INFORMATION SEE DATA SHEET FOR HIGH POWER RESISTORS OF SQ SERIES



RoHS Compliant



THIS DRAWING IS A CONTROLLED DOCUMENT.

DWN 12OCT2010  
PARUSURAM.T

CHK 12OCT2010  
ALLAN.P

APVD 12OCT2010  
STEPHEN.P

PRODUCT SPEC

APPLICATION SPEC

WEIGHT

CUSTOMER DRAWING

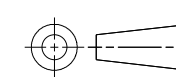


HIGH POWER RESISTORS  
SERIES SQM10S

SIZE	CAGE CODE	DRAWING NO	RESTRICTED TO
------	-----------	------------	---------------

A3	00779	C-1623790	-
----	-------	-----------	---

DIMENSIONS:	TOLERANCES UNLESS OTHERWISE SPECIFIED:	
mm	0 PLC	±0.2
	1 PLC	±0.1
	2 PLC	±
	3 PLC	±
	4 PLC	±
	ANGLES	±5°
MATERIAL	FINISH	-



SCALE	SHEET	OF	REV
1:1	1	1	BB

# Mouser Electronics

Authorized Distributor

Click to View Pricing, Inventory, Delivery & Lifecycle Information:

[TE Connectivity:](#)

[1623790-9](#)