

| REVISIONS |     |                 |           |     |      |
|-----------|-----|-----------------|-----------|-----|------|
| P         | LTR | DESCRIPTION     | DATE      | DWN | APVD |
|           | 11  | INITIAL RELEASE | 11FEB2020 | GK  | AK   |

NOTES: -

1. CHARACTERS: -

0-9, A-Z, +, -, /, ~, ≡

0, 1, 6 & 9 FOLLOWED BY A FULL STOP.

HEIGHT 2.6 - 2.9 mm

TOLERANCE (AXIAL) ±0.75

(ROTATIONAL) ±5°

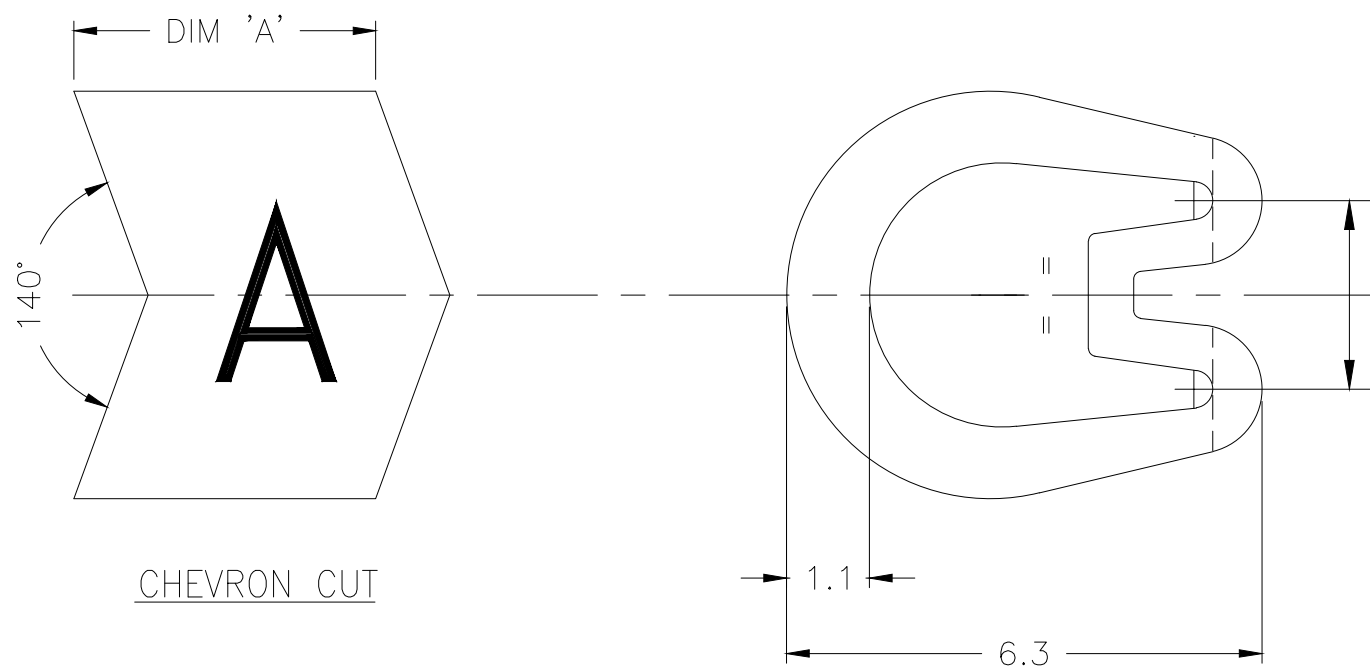
CHEVRON CUT MARKERS: -

CHARACTERS TO BE CENTRALLY DISPOSED ON MARKER FACE AND IN THE ATTITUDE SHOWN RELATIVE TO CHEVRON.

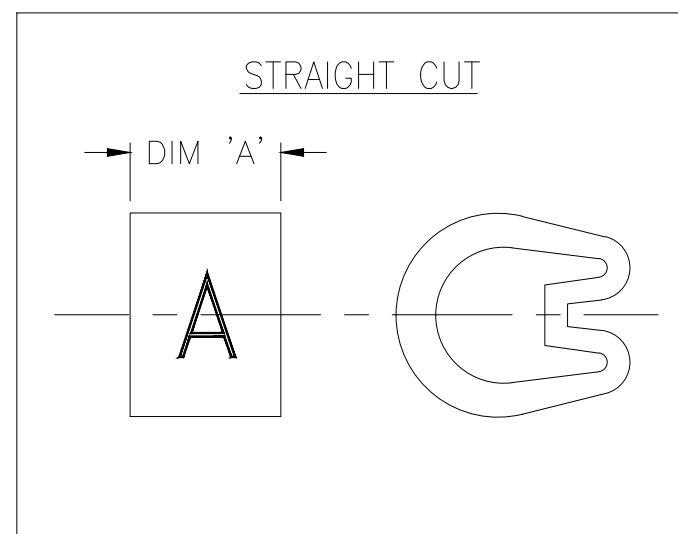
2. MARKER LENGTHS ( DIMENSION 'A'): -

WITH SINGLE MARK 4.00 - 4.75

WITH DOUBLE MARK 6.75 - 7.25



CHEVRON CUT



STRAIGHT CUT

|  |       |                                       |   |               |                 |       |     |       |     |       |     |        |     |                       |            |                    |                           |
|--|-------|---------------------------------------|---|---------------|-----------------|-------|-----|-------|-----|-------|-----|--------|-----|-----------------------|------------|--------------------|---------------------------|
| THIS DRAWING IS A CONTROLLED DOCUMENT.   |       | DWN<br>GOPALAKRISHNA H V<br>11FEB2020 | <b>STE</b> TE Connectivity                              |               |                 |       |     |       |     |       |     |        |     |                       |            |                    |                           |
|  |       | CHK<br>ALAN KEAN<br>11FEB2020         |   |               |                 |       |     |       |     |       |     |        |     |                       |            |                    |                           |
| DIMENSIONS:<br>mm  |       | APVD<br>ALAN KEAN<br>11FEB2020        | NAME<br>MARKER Z TYPE SIZE 15<br>STRAIGHT / CHEVRON CUT |               |                 |       |     |       |     |       |     |        |     |                       |            |                    |                           |
| TOLERANCES UNLESS OTHERWISE SPECIFIED:   |       | PRODUCT SPEC<br>-                     | RESTRICTED TO<br>-                                      |               |                 |       |     |       |     |       |     |        |     |                       |            |                    |                           |
| <table border="0"> <tr><td>0 PLC</td><td>± -</td></tr> <tr><td>1 PLC</td><td>± 0.2</td></tr> <tr><td>2 PLC</td><td>± -</td></tr> <tr><td>3 PLC</td><td>± -</td></tr> <tr><td>4 PLC</td><td>± -</td></tr> <tr><td>ANGLES</td><td>± -</td></tr> </table> |       | 0 PLC                                 | ± -   | 1 PLC         | ± 0.2           | 2 PLC | ± - | 3 PLC | ± - | 4 PLC | ± - | ANGLES | ± - | APPLICATION SPEC<br>- | SIZE<br>A3 | CAGE CODE<br>00779 | DRAWING NO<br>C-1601A0006 |
| 0 PLC  | ± -   |                                       |   |               |                 |       |     |       |     |       |     |        |     |                       |            |                    |                           |
| 1 PLC  | ± 0.2 |                                       |   |               |                 |       |     |       |     |       |     |        |     |                       |            |                    |                           |
| 2 PLC  | ± -   |                                       |   |               |                 |       |     |       |     |       |     |        |     |                       |            |                    |                           |
| 3 PLC  | ± -   |                                       |   |               |                 |       |     |       |     |       |     |        |     |                       |            |                    |                           |
| 4 PLC  | ± -   |                                       |   |               |                 |       |     |       |     |       |     |        |     |                       |            |                    |                           |
| ANGLES   | ± -   |                                       |   |               |                 |       |     |       |     |       |     |        |     |                       |            |                    |                           |
| MATERIAL<br>PVC<br>4.9 - 4.4g/250mm  |       | FINISH<br>-                           | WEIGHT<br>-   | SCALE<br>10:1 | SHEET<br>1 OF 1 |       |     |       |     |       |     |        |     |                       |            |                    |                           |
| CUSTOMER DRAWING   |       |                                       | REV<br>11   |               |                 |       |     |       |     |       |     |        |     |                       |            |                    |                           |

# Mouser Electronics

Authorized Distributor

Click to View Pricing, Inventory, Delivery & Lifecycle Information:

[TE Connectivity:](#)

[EC1054-000](#)