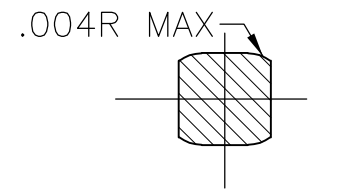
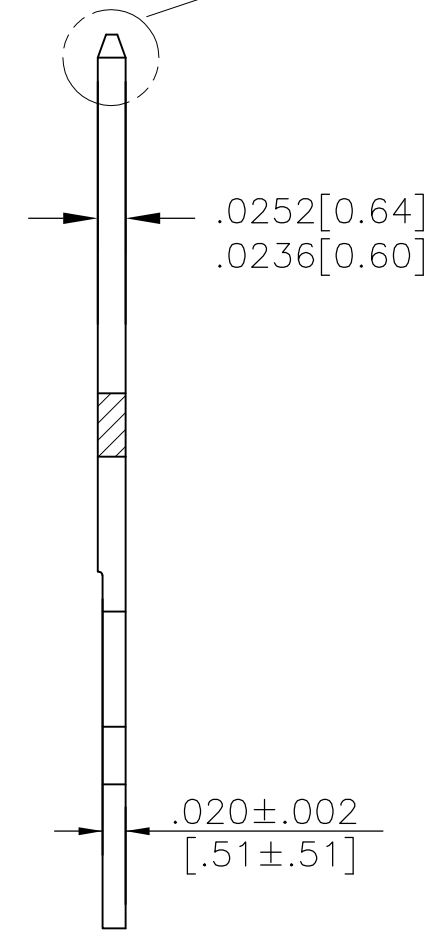
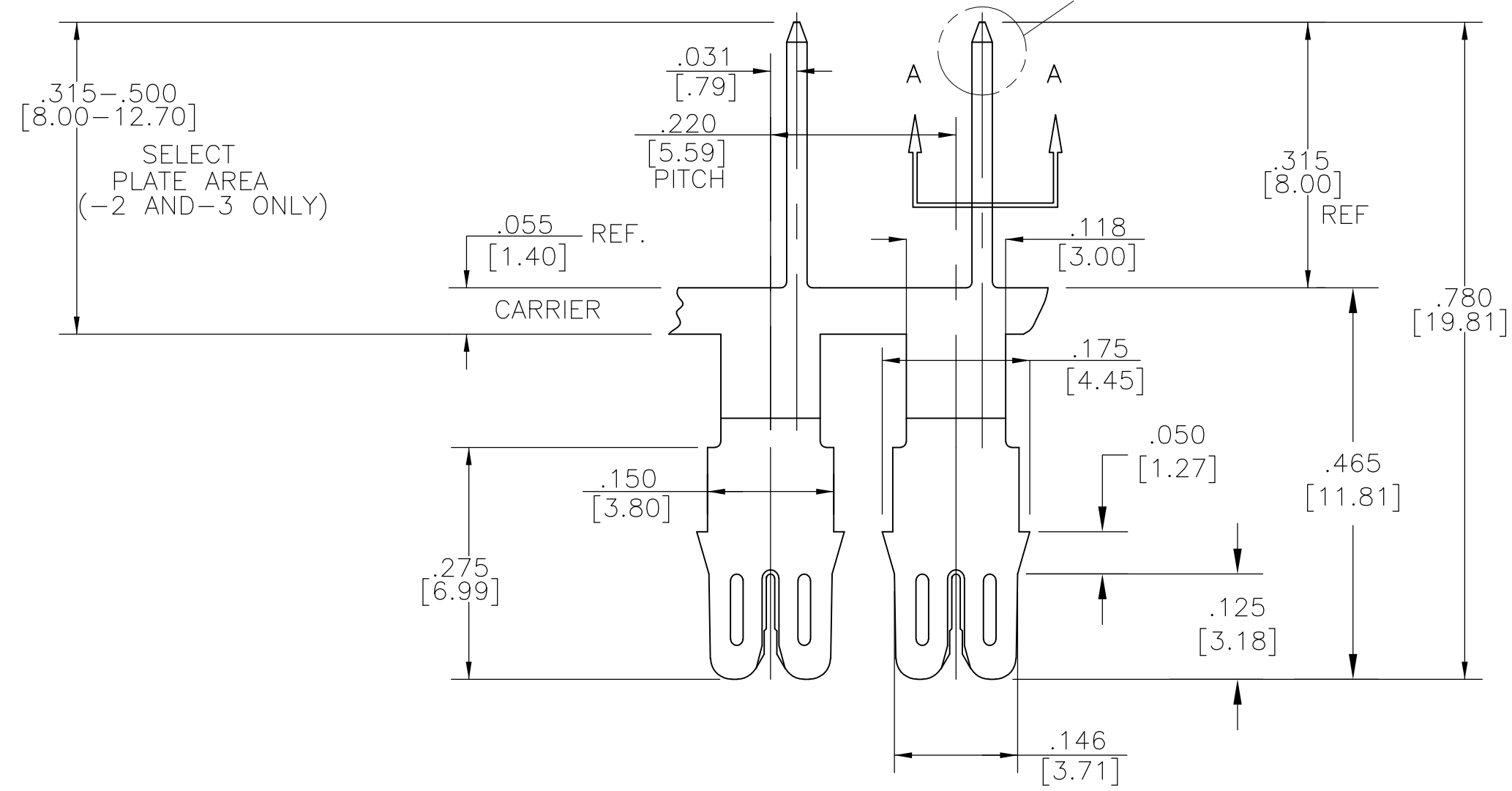
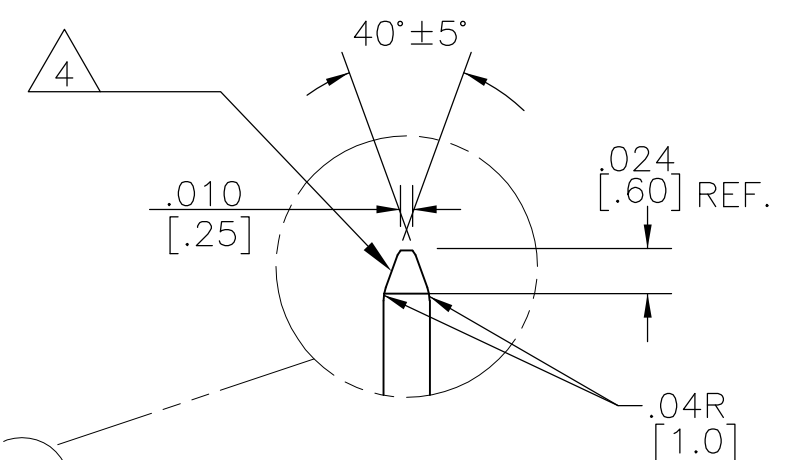
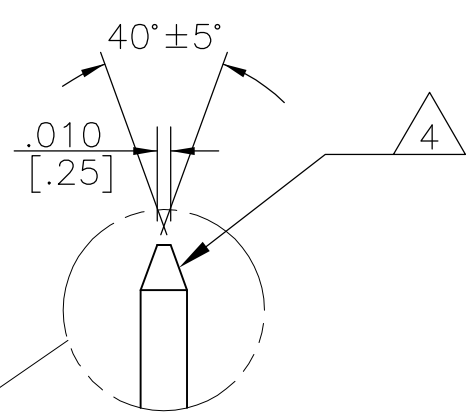


THIS DRAWING IS UNPUBLISHED. RELEASED FOR PUBLICATION  
 © COPYRIGHT - By - ALL RIGHTS RESERVED.

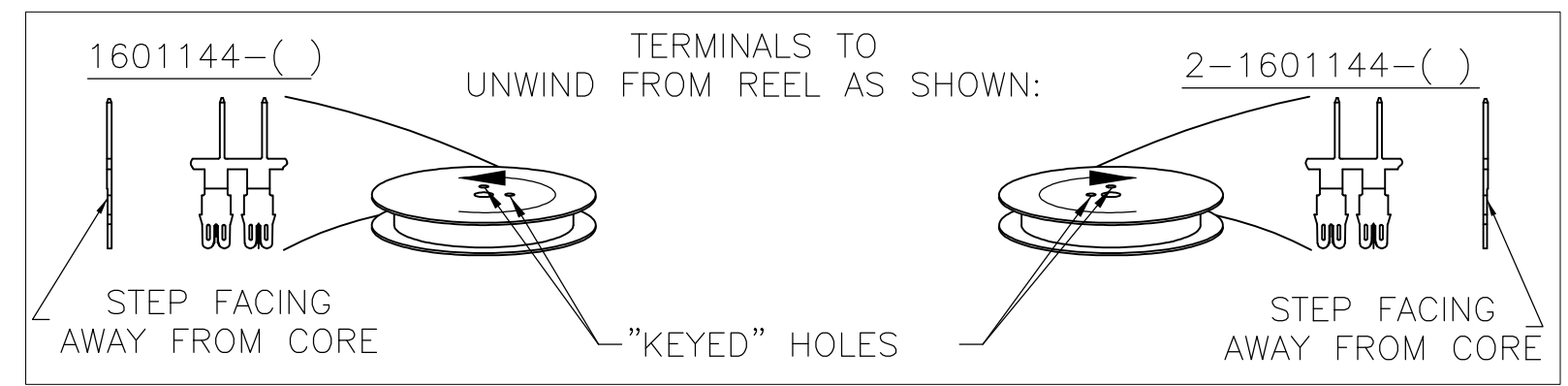
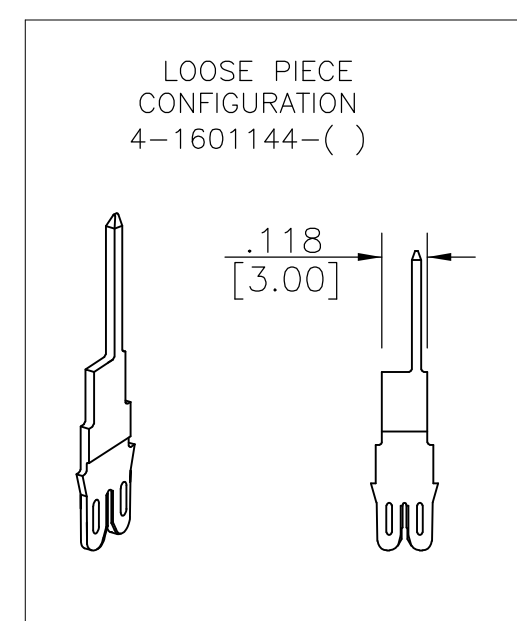
LOC	DIST	REVISIONS			
P	LTR	DESCRIPTION	DATE	DWN	APVD
AF	50	B3	REVISED PER ECR-13-015346	03OCT2013	KH GJ



SECTION A-A  
20 X SCALE



- SPECIFICATIONS:  
WIRE:(2) #20 AWG RESISTOR  
LEADS .031"  $\phi$ (0.812 mm)
- POCKET RECOMMENDATION:  
#1601424.
- TERMINAL APPLICATION TO COMPLY WITH TYCO ELECTRONICS SPECIFICATION 114-13166. CONSULT TYCO ELECTRONICS ENGINEERING FOR THE PROPER INSERTION DEPTH.
- TIP MAY BE RADIUSSED WITHIN DIMENSIONS SHOWN AND HAVE CONVEX SIDES.
- TWO(2) TERMINALS SHOWN FOR ILLUSTRATION PURPOSES ONLY
- PRELIMINARY - NOT FOR PRODUCTION



-	-	-
PRE-TIN PLATE OVER NICKEL UNDERPLATE	-	$\triangle 6$ 1601144-4
SELECTIVE POST TIN PLATE OVER NICKEL UNDERPLATE	159-003-120	1601144-3
OBSOLETE POST TIN-LEAD PLATE OVER NICKEL UNDERPLATE	159-003-119	1601144-2
UNPLATED	159-003-000	1601144-1
FINISH	REFERENCE PART NUMBER	PART NUMBER
THIS DRAWING IS A CONTROLLED DOCUMENT.	DWN J.WELLER 11JAN2002 CHK M.FEHER 11JAN2002 APVD K.RANDOLPH 11JAN2002	NAME
DIMENSIONS: INCHES	TOLERANCES UNLESS OTHERWISE SPECIFIED: 0 PLC $\pm$ - 1 PLC $\pm$ - 2 PLC $\pm$ .01[0.13] 3 PLC $\pm$ .005[0.26] 4 PLC $\pm$ - ANGLES $\pm$ 2'	PRODUCT SPEC
MATERIAL BRASS, 3/4 HARD	FINISH SEE TABLE	APPLICATION SPEC $\triangle 3$
WEIGHT -		SIZE A2 CAGE CODE 00779 DRAWING NO. C=1601144 RESTRICTED TO -
CUSTOMER DRAWING		SCALE 1:1 SHEET 1 of 1 REV B3

# Mouser Electronics

Authorized Distributor

Click to View Pricing, Inventory, Delivery & Lifecycle Information:

[TE Connectivity:](#)

[1601144-1](#)