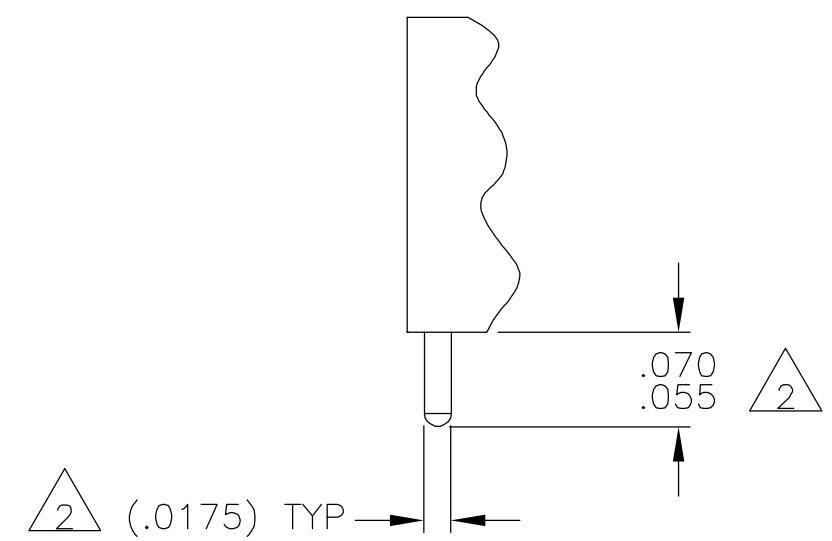
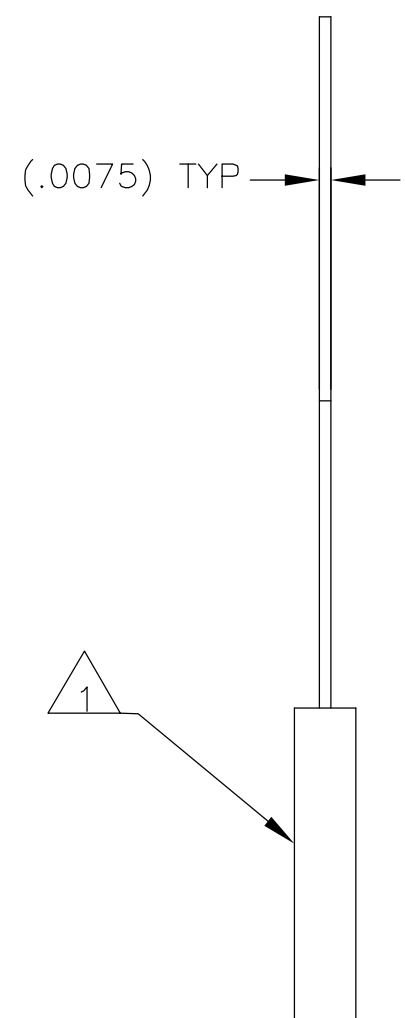
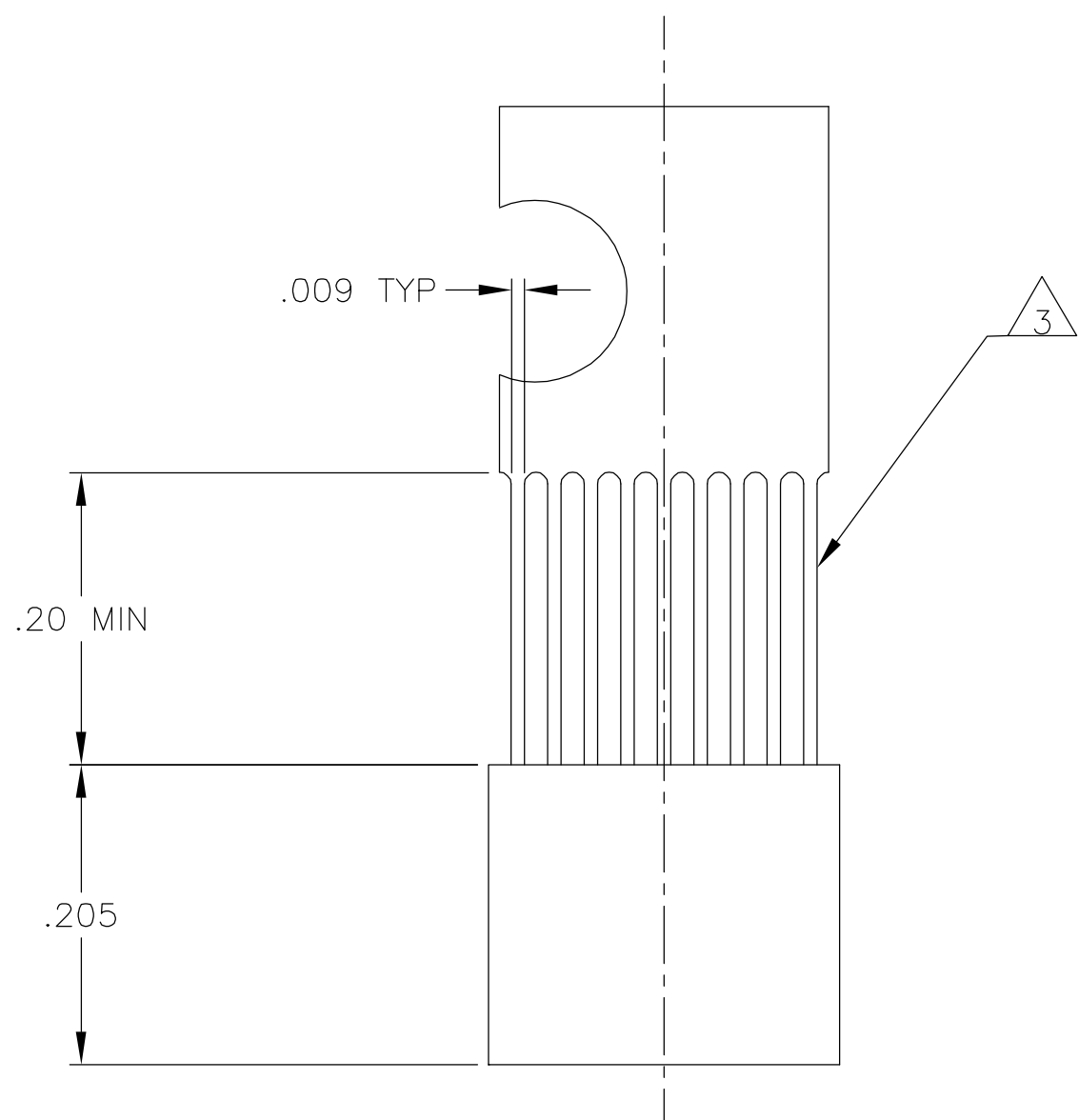


THIS DRAWING IS UNPUBLISHED. RELEASED FOR PUBLICATION
 © COPYRIGHT BY TYCO ELECTRONICS CORPORATION. ALL RIGHTS RESERVED.

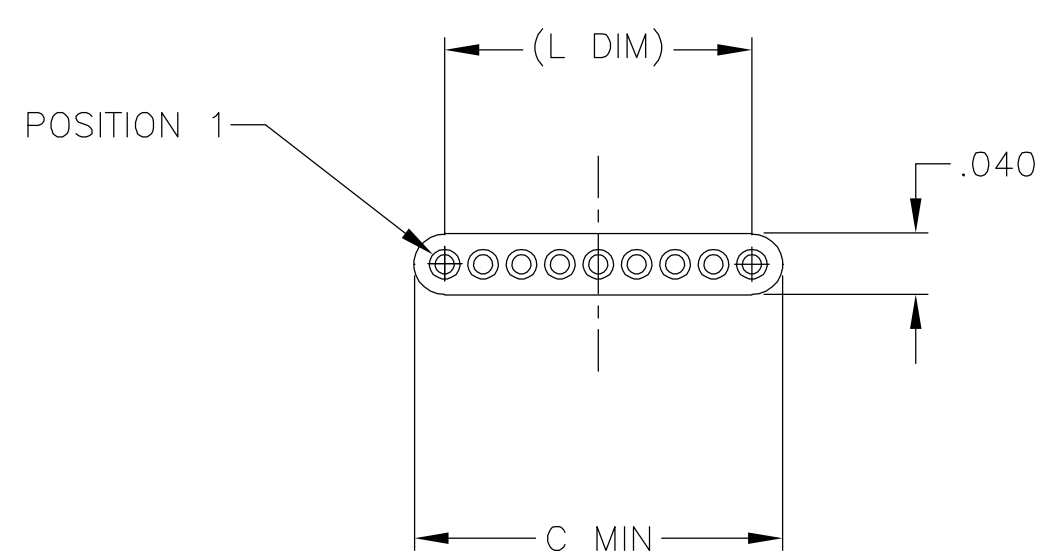
LOC	DIST	REVISIONS					
DF	D0	P	LTR	DESCRIPTION	DATE	DWN	APVD
		B		RELEASE PER 0H2Y-0056-05	2 MAR 05	CAS	MKS

SIZE	C DIM	(L DIM)
04	.115	(.075)
09	.240	(.200)
15	.390	(.350)

4	25	.640	(.600)
4	37	.940	(.900)
4	51	1.290	(1.250)



DETAIL A
 POSITION "1" SHOWN FOR REFERENCE



- T ○○○○○○○○○○ POSITION 1
- U ●○○○○○○○○○ POSITION 2
- V ○○●○○○○○○○ POSITION 3
- W ●○○○○○○○○● POSITION 1, AND SECOND TO LAST POSITION
- Y ●○○○○○○●○○○ POSITION 1, AND THIRD TO LAST POSITION
- Z ○●○○○○○○●○○○ POSITION 2, AND THIRD TO LAST POSITION

- 1 INSULATOR MATERIAL: LCP (LIQUID CRYSTAL POLYMER) PER ASTM D5138
- 2 OPTIONAL POLARIZATION GUIDE POST SHOWN FOR REFERENCE ONLY. IF GUIDE POST(S) ARE REQUIRED, THE LOCATION MUST BE SPECIFIED IN THE NANONICS PART NUMBER. GUIDE POST MATERIAL IS 303 STAINLESS STEEL, PASSIVATED PER SAE-AMS-QQ-P-35.
- 3 LEAD MATERIAL: HH BRASS, TIN LEAD PLATED 60/40 COMPOSITION PER SAE-AMS-P-81728
- 4 WHEN ORDERING THESE SIZES, FIRST CONSULT TYCO ELECTRONICS/NANONICS FOR ADDITIONAL INFORMATION.
- 5 THIS DRAWING PREVIOUSLY IDENTIFIED AS NANONICS N10138/070

THIS DRAWING IS A CONTROLLED DOCUMENT.		DWN C SCHOLL 3 MAR 05	Tyco Electronics Corporation Harrisburg, PA 17105
DIMENSIONS: INCHES		CHK M STORRY 3 MAR 04	
TOLERANCES UNLESS OTHERWISE SPECIFIED:		APVD -	NAME
0 PLC ± -		PRODUCT SPEC -	PLUG ASSEMBLY, UNSHROUDED STRIP, STRAIGHT LEADS, PLASTIC
1 PLC ± -		APPLICATION SPEC -	
2 PLC ± .010		WEIGHT -	SIZE A2
3 PLC ± .005		CUSTOMER DRAWING	CAGE CODE 00779
4 PLC ± -		SCALE 8:1	DRAWING NO C=1589904
ANGLES ± 1°		SHEET 1 OF 1	RESTRICTED TO -
FINISH SEE NOTES		REV B	

1589904

Mouser Electronics

Authorized Distributor

Click to View Pricing, Inventory, Delivery & Lifecycle Information:

[TE Connectivity:](#)

[3-1589683-3](#)