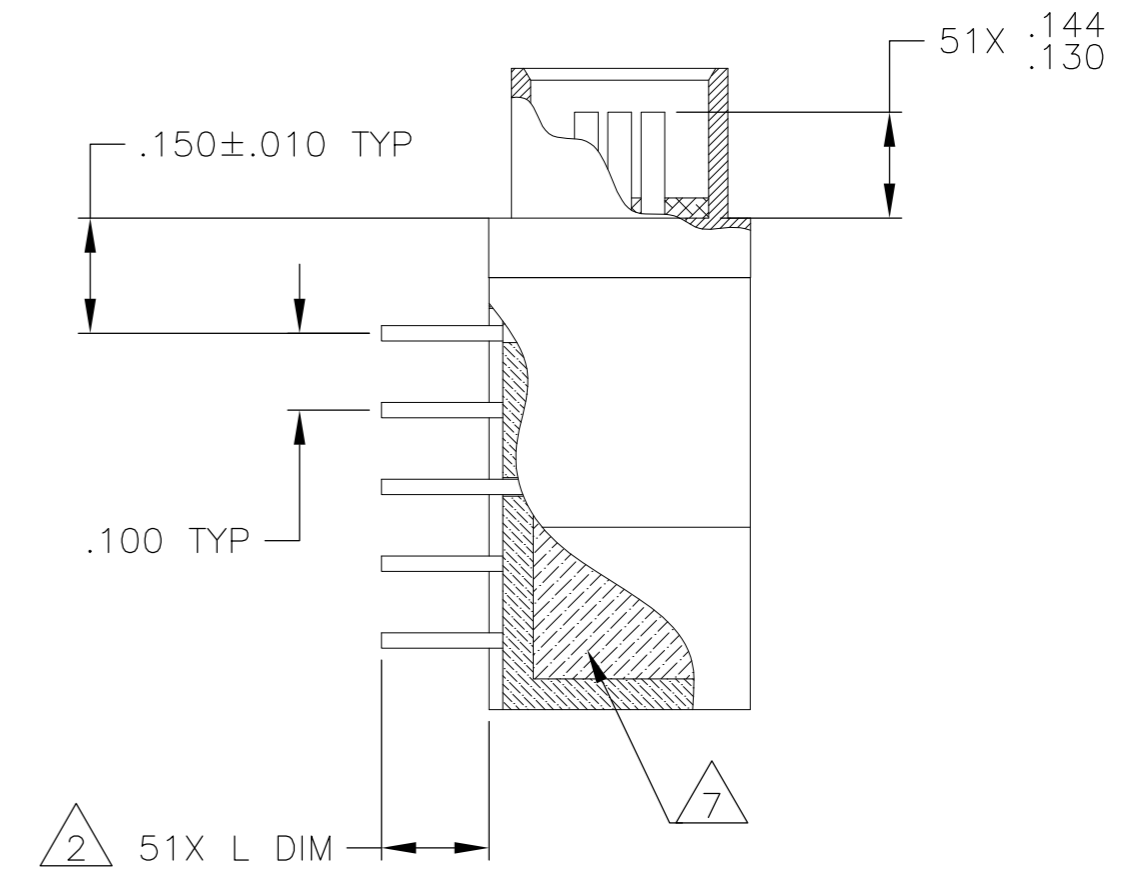
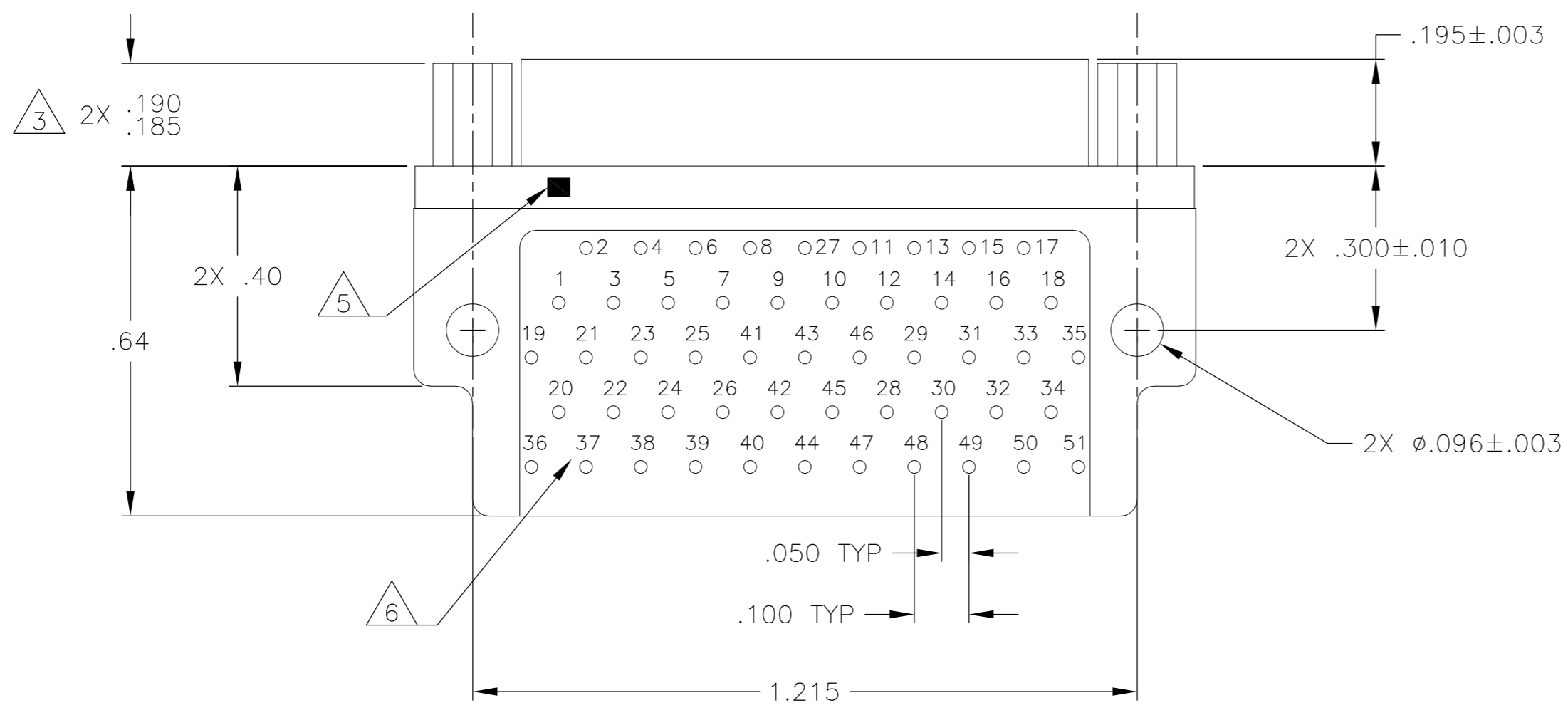
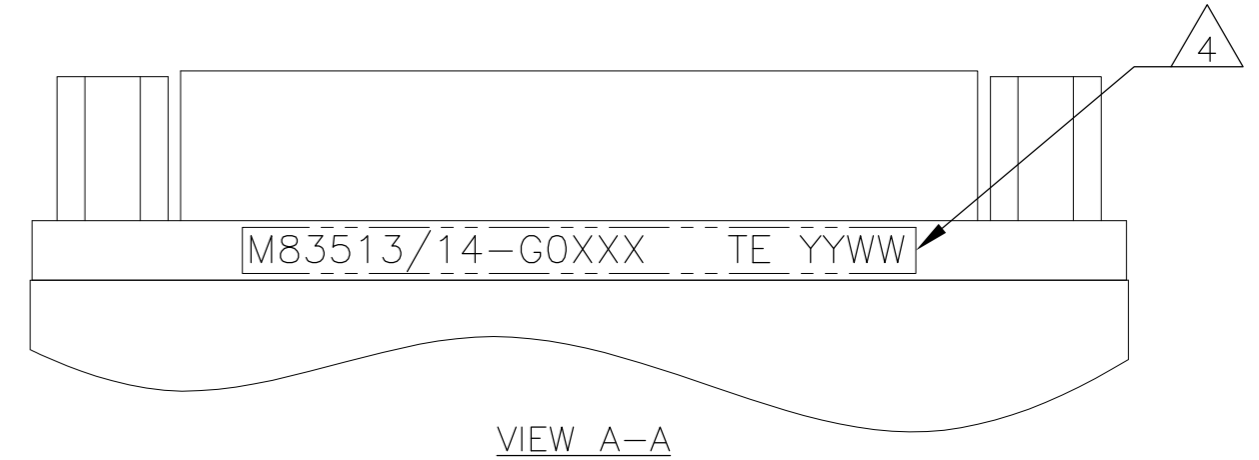
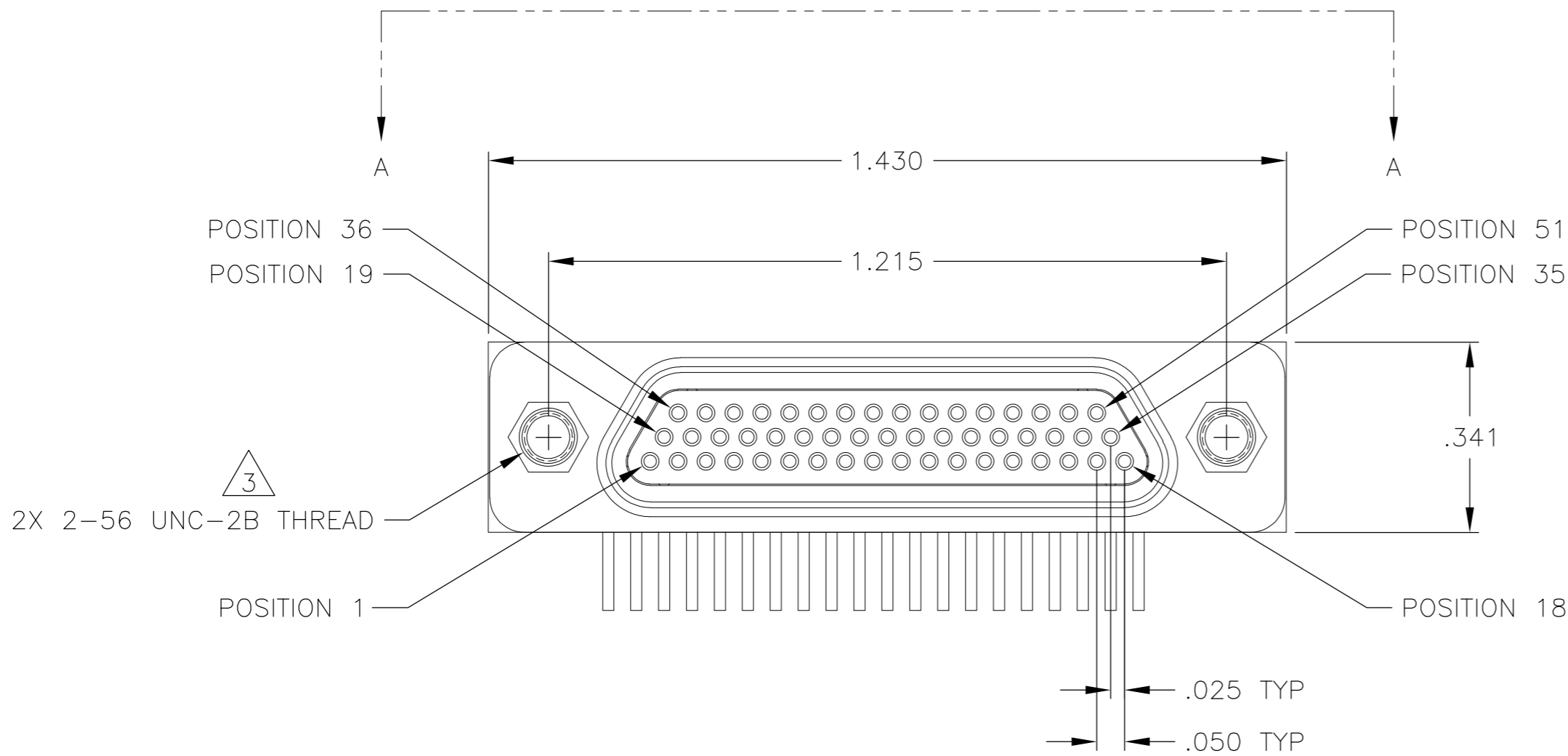


THIS DRAWING IS UNPUBLISHED. RELEASED FOR PUBLICATION
 © COPYRIGHT - By - ALL RIGHTS RESERVED.

LOC		DIST		REVISIONS			
P	LTR	DESCRIPTION		DATE	DWN	APVD	
-	-	A	INITIAL RELEASE	2 JUL 12	CAS	MKS	



SEE SHEET 2 FOR NOTES

THIS DRAWING IS A CONTROLLED DOCUMENT.		DWN C SCHOLL	2 JUL 12	STE TE Connectivity	
DIMENSIONS: INCHES		CHK -	-		
TOLERANCES UNLESS OTHERWISE SPECIFIED:		APVD M STORRY	2 JUL 12	NAME	
0 PLC ± -		PRODUCT SPEC		RECEPTACLE ASSEMBLY, MCKS, RT1 RIGHT	
1 PLC ± -		APPLICATION SPEC		ANGLE, PCB MOUNT, 3 ROW,	
2 PLC ± .010		WEIGHT		SIZE 51, PER MIL-DTL-83513/14	
3 PLC ± .005		SCALE		RESTRICTED TO	
4 PLC ± -		CUSTOMER DRAWING		-	
ANGLES ± 1°		SCALE 4:1		SHEET 1 OF 2	
FINISH		REV A		REV A	
SEE NOTES		A2 98278 C=1532264		REV A	

THIS DRAWING IS UNPUBLISHED. RELEASED FOR PUBLICATION
 © COPYRIGHT - By - ALL RIGHTS RESERVED.

LOC		DIST		REVISIONS			
P	LTR	DESCRIPTION	DATE	DWN	APVD		
-	-	SEE SHEET 1	-	-	-		

TE PART NUMBER	MIL-DTL-83513 PIN	MCKS DESCRIPTION	SHELL FINISH $\triangle 1$	HARDWARE $\triangle 3$	L DIM $\pm .015$
1532264-1	M83513/14-G01CN	MCKS-C2-B-51SRT1	CADMIUM	NONE	.109
1532264-2	M83513/14-G01CP	MCKS-C2-P-51SRT1	CADMIUM	JACKPOSTS	.109
1532264-3	M83513/14-G01NN	MCKS-N1-B-51SRT1	NICKEL	NONE	.109
1532264-4	M83513/14-G01NP	MCKS-N1-P-51SRT1	NICKEL	JACKPOSTS	.109
1532264-5	M83513/14-G02CN	MCKS-C2-B-51SRT1A	CADMIUM	NONE	.140
1532264-6	M83513/14-G02CP	MCKS-C2-P-51SRT1A	CADMIUM	JACKPOSTS	.140
1532264-7	M83513/14-G02NN	MCKS-N1-B-51SRT1A	NICKEL	NONE	.140
1532264-8	M83513/14-G02NP	MCKS-N1-P-51SRT1A	NICKEL	JACKPOSTS	.140
1532264-9	M83513/14-G03CN	MCKS-C2-B-51SRT1B	CADMIUM	NONE	.172
1-1532264-0	M83513/14-G03CP	MCKS-C2-P-51SRT1B	CADMIUM	JACKPOSTS	.172
1-1532264-1	M83513/14-G03NN	MCKS-N1-B-51SRT1B	NICKEL	NONE	.172
1-1532264-2	M83513/14-G03NP	MCKS-N1-P-51SRT1B	NICKEL	JACKPOSTS	.172

$\triangle 1$ SHELL MATERIAL: 6061-T6 ALUMINUM
 FINISH OPTIONS:
 ELECTROLESS NICKEL PLATED PER SAE-AMS-C-26074 OR SAE AMS 2404 OR CADMIUM PLATED PER SAE-AMS-QQ-P-416 WITH YELLOW CHROMATE
 INSULATOR: LIQUID CRYSTAL POLYMER (LCP)
 INTERFACIAL SEAL: FLUOROSILICONE PER SAE-AMS-R-25988
 HARDWARE: 300 SERIES STAINLESS STEEL
 TB BOX: POLYPHENYLENE SULFIDE (PPS) AND EPOXY POTTING

$\triangle 2$ TERMINATION: 24AWG GOLD PLATED COPPER WIRE, Sn63Pb37 SOLDER DIPPED UP TO MOUNTING SURFACE AT A MINIMUM

$\triangle 3$ JACKPOST HARDWARE SHALL BE PERMANENTLY INSTALLED AS SHOWN WHEN REQUIRED BY THE MIL PIN. JACKPOST DIMENSIONS AND REQUIREMENTS ARE DEFINED IN MIL-DTL-83513/5.

$\triangle 4$ CONNECTOR SHALL BE MARKED IN ACCORDANCE WITH METHOD I OF MIL-STD-1285. MARKING SHALL CONTAIN THE MILITARY PIN, CAGE CODE (OR TE), AND DATE CODE. EXAMPLE: M83513/14-GOXXX TE YYWW (WHERE XXX IS PART OF THE PIN SHOWN IN THE "MIL-DTL-83513 PIN" COLUMN OF THE PART NUMBER TABLE, AND YYWW IS THE DATE CODE). THE MARKING MUST BE PRINTED ON THE FLANGE. TEXT HEIGHT SHALL BE .035 INCH MINIMUM.

$\triangle 5$ POSITION 1 SHALL BE INDICATED BY AN IDENTIFIABLE MARK, LOCATED APPROXIMATELY AS SHOWN ON THE POSITION 1 SIDE OF THE CONNECTOR FLANGE. THIS MARK SHALL BE INCLUDED AS PART OF THE PART MARKING INFORMATION.

$\triangle 6$ TERMINAL IDENTIFICATION NUMBERS AS SHOWN DO NOT ACTUALLY APPEAR ON THE PART (FOR IDENTIFICATION ONLY)

$\triangle 7$ EPOXY ENCAPSULATION

8 ALL REQUIREMENTS CONFORM TO MIL-DTL-83513/14. SEE MIL-SPEC FOR DETAILED INTERFACE DIMENSIONS AND SUGGESTED PCB LAYOUTS

THIS DRAWING IS A CONTROLLED DOCUMENT.		DWN C SCHOLL 2 JUL 12	TE Connectivity	
DIMENSIONS: INCHES		CHK -	NAME M STORRY 2 JUL 12	
TOLERANCES UNLESS OTHERWISE SPECIFIED: 0 PLC \pm - 1 PLC \pm - 2 PLC $\pm .010$ 3 PLC $\pm .005$ 4 PLC \pm - ANGLES $\pm 1^\circ$		APVD M STORRY 2 JUL 12	PRODUCT SPEC -	
MATERIAL SEE NOTES		FINISH SEE NOTES	APPLICATION SPEC -	RESTRICTED TO -
WEIGHT -		SCALE 4:1	SHEET 2 of 2	REV A
CUSTOMER DRAWING		SIZE A2	CAGE CODE 98278	DRAWING NO 1532264

Mouser Electronics

Authorized Distributor

Click to View Pricing, Inventory, Delivery & Lifecycle Information:

[TE Connectivity:](#)

[1-1532264-2](#)