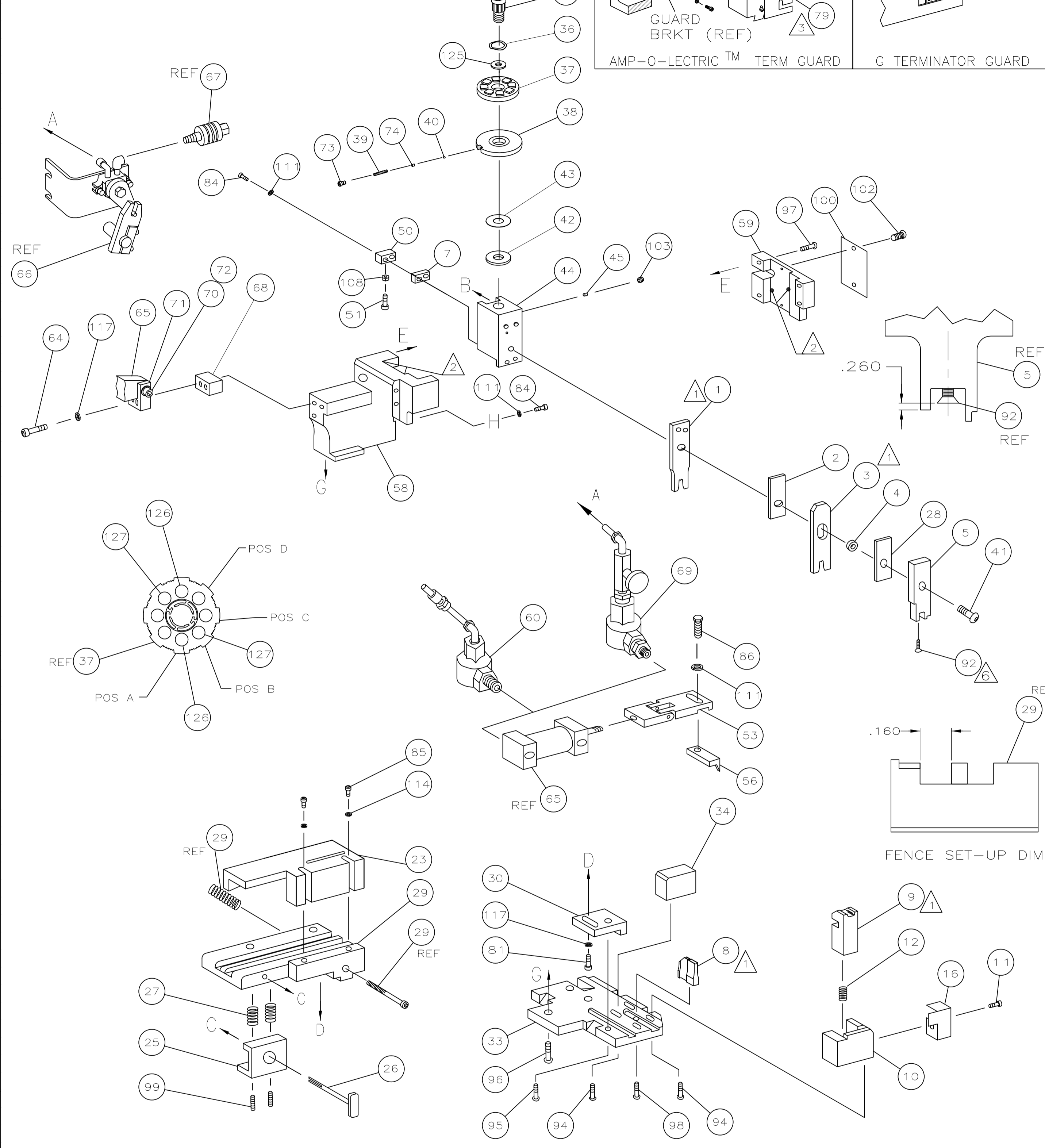


THIS DRAWING IS UNPUBLISHED. RELEASED FOR PUBLICATION. ALL RIGHTS RESERVED.

PART NUMBER	REV	FIRST USED
1385884-1	B	122500-1
1385884-2	B	565435-5
1385884-3	B	354500-1



- 1 RECOMMENDED SPARE PARTS.
- 2 GREASE LIGHTLY.
- 3 GUARD MUST BE IN PLACE WHEN OPERATING APPLICATOR IN A BENCH MACHINE.
- 4 SEE DRAWING FOR COMPONENTS
- 5 THIS APPLICATOR APPLIES TERMINAL WITH A SEAL.
- 6 APPLY TORQ-SEAL IN ALLEN SOCKET TO FILL HOLE AFTER FLAT HD HAS BEEN ADJUSTED TO CORRECT HEIGHT AT QUALIFICATION. APPLY PN 1-23419-5 LOC-TITE TO THREADS.

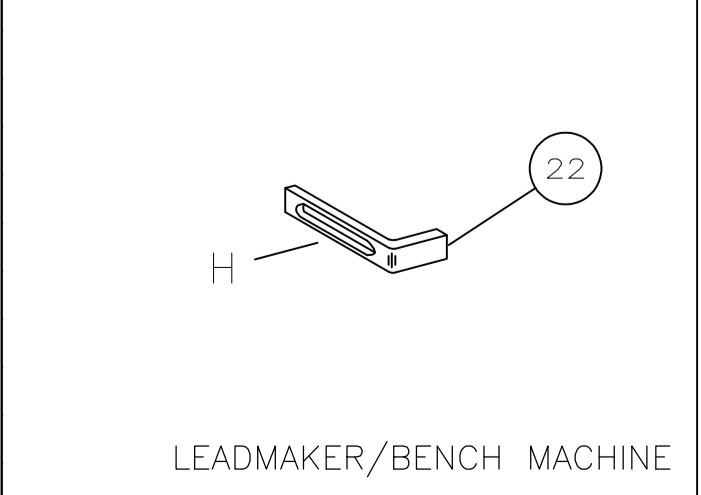
TERMINAL NAME: LANGUETTE 8NG1

AMP TERM PN	MFR TERM PN	PRONER TERMINAL	PRONER CRIMP SPECS		
1544333	3274 D 002	PAD LTR	CRIMP HEIGHT		
		A	.125 ±.002 [3.17 ±0.05mm]		
		B	.115 ±.002 [2.92 ±0.05mm]		
		C	NOT		
		D	NOT		
			WIRE SIZE		
			8mm ²		
			7mm ²		
			USED		
			USED		
AMP SEAL PN	MFR SEAL PN	CRIMP	SIZE	TYPE	RANGE
1544316-2	-	WIRE	.216 [5.49mm]	f	7-8mm ²
		INSUL	.323 [8.20mm]	OV	4.9-5.9mm ²
WIRE STRIP LENGTH	TERM APPL SPEC	FEED	APPL INSTRUCTION	SET UP GAGE	LAYOUT
.251-.267	NONE	25mm	408-8040	458637-1	L3087

QTY REQD PER ASSY	PART NO	DESCRIPTION	ITEM NO
1	1	1	129
2	2	2	128
2	2	2	7-354778-1
2	2	2	PIN, WIRE DISC (.2850)B
2	2	2	127
2	2	2	5-354778-1
2	2	2	PIN, WIRE DISC (.2750)A
1	1	1	126
1	1	1	986950-1
1	1	1	WASHER, FLAT PRECISION
1	1	1	125
1	1	1	217238-1
1	1	1	GENERAL INSTRUCTION PACKAGE
1	1	1	124
1	1	1	4088040
1	1	1	SF APPL INST 408-8040
			123
			122
			121
			120
			119
			118
3	3	3	21024-5
			WASHER, LOCK(#10)ADJ BLOCK
			117
			116
			115
2	2	2	21024-2
			WASHER,LOCK(#4)FRONT STP GUIDE
			114
			113
3	3	3	21024-4
			WASHER,LOCK(#8)STRIPPER
			111
			110
			109
1	1	1	21018-5
			NUT,HEX(NO.6)HOLDDOWN
			108
			107
			106
			105
			104
1	1	1	21009-2
			SCR,SKT SET(1/4-20x.25 LW)RAM
			103
2	2	2	21017-2
			SCR,DRIVE(#2x.19)ID PLATE
			102
			101
1	1	1	461264-1
			PLATE, IDENTIFICATION
			100
2	2	2	5-21006-6
			SCR,BHC(10-32x.75)DRAG
			99
1	1	1	22733-8
			SCR,BHC(8-32x.38 LW)ANVIL
			98
4	4	4	2-21002-9
			SCR,BHC(10-32x.75)CAP
			97
3	3	3	2-22733-8
			SCR,BHC(1/4-20x.62)HSG
			96
1	1	1	2-21002-7
			SCR,BHC(10-32x.50)SG ADJ BLK
			95
6	6	6	2-21002-2
			SCR,BHC(8-32x.50)TERM H DWN
			94
			93
1	1	1	1-21003-9
			SCR,FHC(6-32x.38)DEP
			92
			91
			90
			89
			88
			87
1	1	1	2-21002-0
			SCR,BHC(8-32x.25)FEED FINGER
			86
2	2	2	1-21000-6
			SCR,SHC(4-40x.62)FR ST GUIDE
			85
3	3	3	2-21000-7
			SCR,SHC(8-32x.50)STRIPPER
			84
			83
			82
1	1	1	3-21000-4
			SCR,SHC(10-32x.38)SG ADJ BL
			81
			80
-	1	-	462992-7
REF	-	-	GUARD ASSY
			79
			78
			77
			76
			75
			74
1	1	1	690603-1
			SPRING, ASSIST
			73
1	1	1	23030-1
			SCR,SHC(6-32x.25 SL)INS DISC
			72
1	1	1	3-21001-5
			SCR,SHC(3/8x1.00)FEED MT
			71
1	1	1	459610-3
			MOUNT, FEED BRACKET
			70
-3	-2	-1	U/M
			PART NO
			DESCRIPTION
			ITEM NO

LOC	DIST	REV	DATE	BY	APPV
A	66		1-2008	MY	TE

QTY REQD PER ASSY	PART NO	DESCRIPTION	ITEM NO
1	1	1	70
-	1	-	21024-8
			WASHER,LOCK(3/8)FEED BRKT
			69
1	1	1	461690-1
			AIR FEED VALVE ASSY
			68
-	REF	-	24042-2
			SPACER, AIR FEED
			67
-	REF	-	692655-6
			VALVE, SHUT OFF
			66
1	1	1	461065-2
			AIR FEED VALVE ASSY
			65
2	2	2	4-21000-3
			AIR FEED ASSY (2 INCH)
			64
			63
			62
			61
1	-	1	692655-7
			SCR,SHC(10-32x2.00)AIR ASSY
			60
1	1	1	454220-1
			AIR FEED VALVE ASSY
			59
1	1	1	454485-1
			CAP, RAM
			58
1	1	1	2-694433-1
			HOUSING
			57
1	1	1	461062-1
			PAWL, FEED
			56
			55
			54
1	1	1	811242-2
			FEED FINGER ASSY
			53
1	1	1	690191-1
			BUMPER, HOLDDOWN
			52
1	1	1	1-819307-1
			SPACER, TONKER
			51
1	1	1	690125-1
			690753-1
			50
			49
			48
			47
			46
1	1	1	690124-7
			PLUG, NYLON
			45
1	1	1	7-21002-9
			1-819307-1
			RAM
			44
1	1	1	690125-1
			WASHER, LAMINATED
			43
1	1	1	690124-7
			WASHER, RAM
			42
1	1	1	7-21002-9
			BOLT, CRIMPER(5/16x1.00)
			41
1	1	1	23241-6
			BALL, STEEL
			40
1	1	1	690170-1
			SPRING, COMPRESSION
			39
1	1	1	690142-5
			DISC, INSULATION
			38
1	1	1	354777-1
			DISC, WIRE
			37
1	1	1	22480-5
			WASHER, SPRING
			36
1	1	1	690212-1
			POST, RAM
			35
1	1	1	1-690786-4
			SUPPORT, TERMINAL
			34
1	1	1	318055-4
			PLATE, BASE
			33
			32
			31
1	1	1	455689-1
			BLOCK, STRIP GUIDE ADJ
			30
1	1	1	318756-2
			PLATE, STRIP GUIDE, ASSY
			29
1	1	1	455888-7
			SPACER, FRONT SHEAR DEP
			28
2	2	2	1-22284-0
			SPRING, DRAG
			27
1	1	1	690546-1
			LEVER, DRAG RELEASE
			26
1	1	1	240792-1
			DRAG, TERMINAL
			25
			24
1	1	1	2-679651-4
			GUIDE, STRIP (FRONT)
			23
1	1	1	690472-2
			STRIPPER
			22
			21
			20
			19
			18
			17
1	1	1	318563-1
			GUARD, CHIP, FRONT
			16
			15
			14
			13
1	1	1	4-22280-8
			SPRING, SHEAR
			12
1	1	1	1-690461-7
			STOP, SHEAR
			11
1	1	1	2-690459-2
			HOLDER, SHEAR (FRONT)
			10
1	1	1	318059-4
			SHEAR, FLOAT (FRONT)
			9
1	1	1	2-318088-7
			ANVIL
			8
1	1	1	5-240641-4
			SPACER, DEPRESSOR (REAR)
			7
			6
1	1	1	122399-5
			DEPRESSOR, SHEAR (FRONT)
			5
1	1	1	4-238011-4
			SPACER, BLOCK CRIMPER
			4
1	1	1	7-854830-0
			CRIMPER, INSULATION
			3
1	1	1	2-455888-1
			SPACER, CRIMPER
			2
1	1	1	8-1490019-3
			CRIMPER, WIRE
			1
-3	-2	-1	U/M
			PART NO
			DESCRIPTION
			ITEM NO



THIS DRAWING IS A CONTROLLED DOCUMENT.

APPROVED: [Signature] DATE: 11FEB05

DESIGNED: [Signature] DATE: 11FEB05

PRODUCT SPEC: [Signature]

APPLICATION SPEC: [Signature]

WEIGHT: [Signature]

CUSTOMER DRAWING: [Signature]

SCALE: [Signature]

SHEET: 1 of 1

REV: B

THIS DRAWING IS UNPUBLISHED. RELEASED FOR PUBLICATION. ALL RIGHTS RESERVED.

TYCO ELECTRONICS CORPORATION

TYCO ELECTRONICS

Tyco Electronics Corporation
Harrisburg, PA 17105-3608

NAME: SIDE FEED HDM APPLICATOR

SIZE: A1

CAGE CODE: 00779

DRAWING NO: 1385884

RESTRICTED TO: [Signature]

Mouser Electronics

Authorized Distributor

Click to View Pricing, Inventory, Delivery & Lifecycle Information:

[TE Connectivity:](#)

[1385884-3](#)