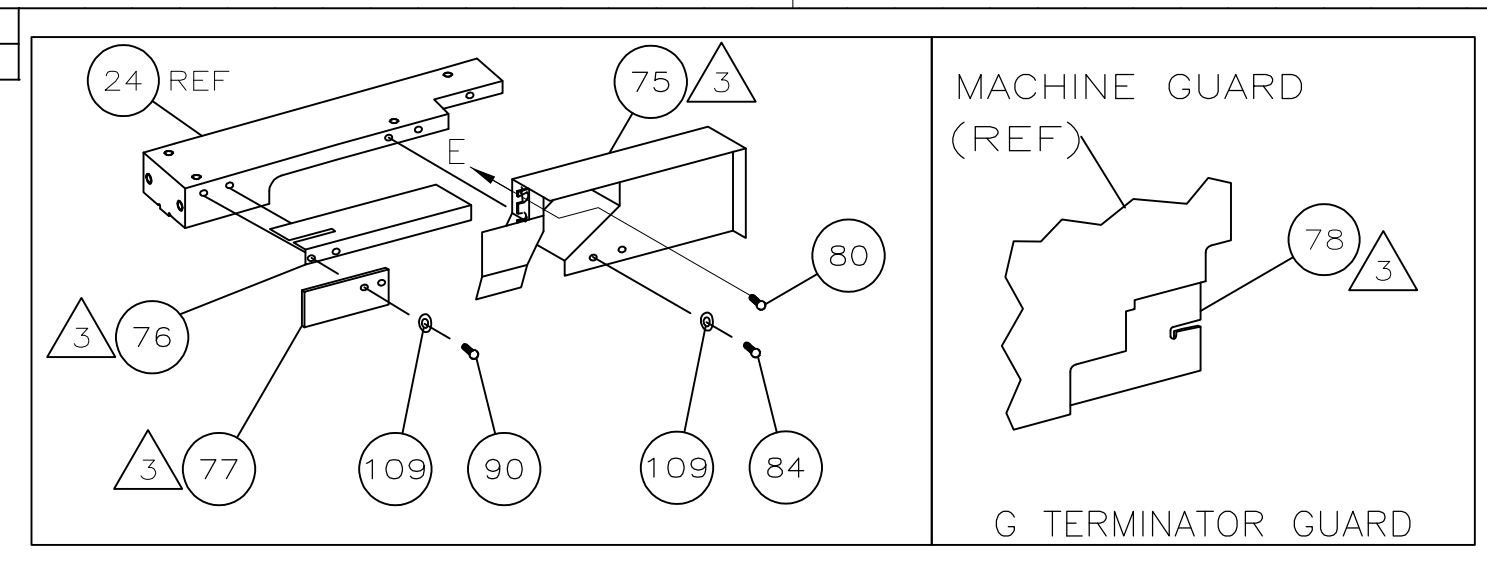


PART NUMBER	REV	FIRST USED
1385802-1	B	356462-1

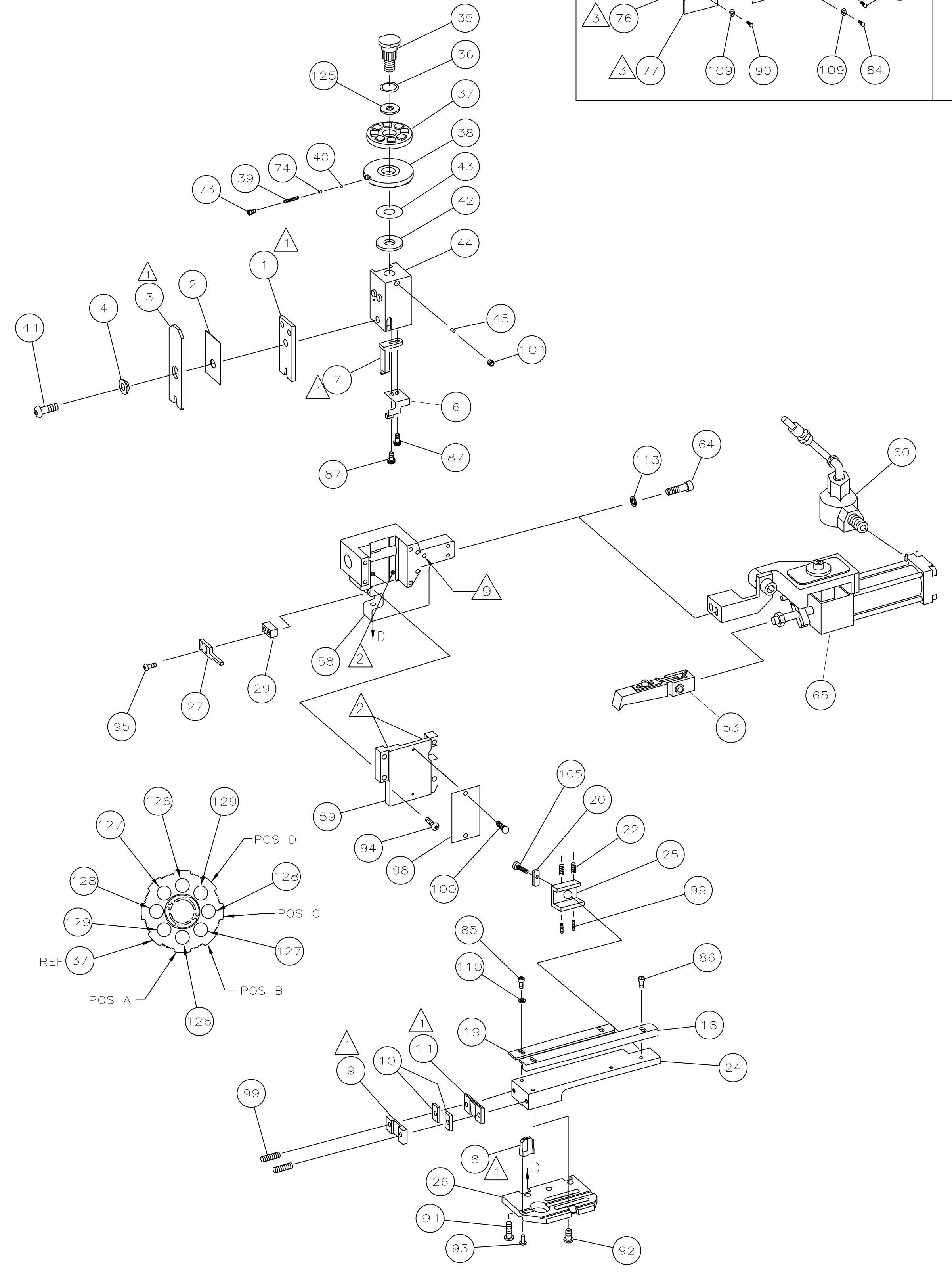


TERMINAL NAME: .187 AMPLIVAR FASTON™ FLAG RECEIPT

1742093 CRIMPING DATA			
PAD LTR	CRIMP HEIGHT	WIRE SIZE	
A	.068 ±.002 [1.73 ±0.05mm]	3923 CMA Δ 5	
B	.065 ±.002 [1.65 ±0.05mm]	3272 CMA Δ 6	
C	.063 ±.002 [1.60 ±0.05mm]	2927 CMA Δ 7	
D	.060 ±.002 [1.52 ±0.05mm]	2432 CMA Δ 8	
CRIMP	SIZE	TYPE	RANGE
WIRE	.100 [2.54mm]	F	2000-4050 CMA
INSUL	.100 [2.54mm]	0	ϕ .040-.100
WIRE STRIP LENGTH	TERM APPL SPEC	FEED	APPL INSTRUCTION
.265 MIN	114-2152	.570	408-8039
			SET UP GAGE LAYOUT
			458638-1 L3018

LOC	DIST	REVISIONS			
F	LTR	DESCRIPTION	DATE	OWN	APVD
A	66				
B		ECR-07-016774	7-2007	MY	GB

-1 THRU MODEL G AIR FEED



2	-	354779-3	PIN, WIRE DISC (.3005)D	129
2	-	9-354778-6	PIN, WIRE DISC (.2975)C	128
2	-	9-354778-1	PIN, WIRE DISC (.2950)B	127
2	-	8-354778-4	PIN, WIRE DISC (.2915)A	126
1	-	986950-1	WASHER, FLAT PRECISION	125
1	-	217238-1	GENERAL INSTRUCTION PACKAGE	124
1	-	4088039	EF APPL INST 408-8039	123
				122
				121
				120
				119
				118
				117
				116
				115
				114
2	-	21024-5	WASHER, LOCK(#10)AIR ASSY	113
				112
				111
4	-	21024-3	WASHER, LOCK(NO.6)ST GUIDE	110
4	-	21055-6	WASHER, FLAT(NO.8)GUARD	109
				108
				107
				106
1	-	22353-8	SCR, SHLD(ϕ 1.87x.25)DRAG LEVER	105
				104
				103
				102
1	-	21009-2	SCR, SKT SET(1/4-20x.25)RAM	101
2	-	21017-2	SCR, DRIVE(#2x.19)ID PLATE	100
4	-	5-21006-6	SCR, SET(10-32x.75)DRAG	99
1	-	461264-1	PLATE, IDENTIFICATION	98
				97
				96
2	-	2-21002-4	SCR, BHC(8-32x.75)STRIPPER	95
4	-	2-21002-9	SCR, BHC(10-32x.75)CAP	94
1	-	22733-8	SCR, BHC(8-32x.38 LW)ANVIL	93
4	-	3-21002-3	SCR, BHC(1/4-20x.50)ST GD PL	92
3	-	2-22733-8	SCR, BHC(1/4-20x.62)HSG	91
2	-	2-21002-1	SCR, BHC(8-32x.38)GUARD	90
				89
				88
				87
2	-	2-21000-7	SCR, SHC(8-32x.50)SLUG BLADE	86
1	-	1-21002-7	SCR, BHC(6-32x.38)STRIP GUIDE	85
4	-	1-21000-9	SCR, SHC(6-32x.38)STRIP GUIDE	84
2	-	2-21002-2	SCR, BHC(8-32x.50)GUARD	83
				82
				81
2	-	2-21002-6	SCR, BHC(10-32x.38)GUARD MTG	80
				79
REF	-	356467-3	INSERT, GUARD	78
1	-	662435-1	GUARD, SIDE	77
1	-	662434-1	GUARD, TERMINAL	76
1	-	1320533-1	GUARD, AIR CYLINDER	75
1	-	690603-1	SPRING, ASSIST	74
1	-	23030-1	SCR, SKT CAP(6-32x.25)CP DSC	73
				72
				71

QTY	U/M	PART NO	DESCRIPTION	ITEM NO

					70
					69
					68
					67
					66
4	1	-	1-460277-8	AIR FEED ASSY (1 INCH)	65
	2	-	4-21000-1	SCR, SHC(10-32x1.50)AIR ASSY	64
					63
					62
					61
1	-		692655-7	AIR FEED VALVE ASSY	60
1	-		454220-1	CAP, RAM	59
1	-		453736-1	HOUSING	58
					57
					56
					55
					54
4	1	-	2-460680-0	FEED FINGER ASSY	53
					52
					51
					50
					49
					48
					47
					46
1	-		690191-1	PLUG, NYLON	45
1	-		679275-1	RAM	44
1	-		690125-1	WASHER, LAMINATED	43
1	-		690124-9	WASHER, RAM	42
1	-		7-21002-7	BOLT, CRIMPER(5/16-24x.75)	41
1	-		23241-6	BALL, STEEL	40
1	-		690170-1	SPRING, COMPRESSION	39
1	-		690142-1	DISC, INSULATION	38
1	-		354777-1	WIRE DISC, PLASTIC	37
1	-		22480-5	WASHER, SPRING	36
1	-		690212-1	POST, RAM	35
					34
					33
					32
					31
					30
1	-		690451-1	SPACER, STRIPPER	29
					28
1	-		240639-4	STRIPPER	27
1	-		A3 662489-1	BASE PLATE, MODIFIED	26
1	-		240792-7	DRAG, TERMINAL	25
1	-		662383-1	PLATE, STRIP GUIDE	24
					23
2	-		1-22284-0	SPRING, DRAG	22
					21
1	-		240793-4	LEVER, DRAG RELEASE	20
1	-		662388-3	GUIDE, STRIP (REAR)	19
1	-		662387-1	GUIDE, STRIP (FRONT)	18
					17
					16
					15
					14
					13
					12
1	-		240644-5	PLATE, REAR SHEAR	11
2	-		1-240645-2	SPACER, SHEAR PLATE	10
1	-		318704-1	PLATE, FRONT SHEAR	9
1	-		2-459866-5	ANVIL	8
1	-		679272-2	BLADE, SLUG	7
1	-		1320560-1	DEPRESSOR, TERM	6
					5
					4
1	-		238009-8	SPACER, BLOCK CRIMPER	3
1	-		5-456135-0	CRIMPER, INSULATION	2
1	-		2-455888-7	SPACER, CRIMPER	1
1	-		318702-2	CRIMPER, WIRE	1

- Δ 1 RECOMMENDED SPARE PARTS.
- Δ 2 GREASE LIGHTLY.
- Δ 3 GUARD MUST BE IN PLACE WHEN OPERATING APPLICATOR IN A BENCH MACHINE.
- Δ 4 SEE DRAWING FOR COMPONENTS.
- Δ 5 SET-UP ONLY, (1)#17 MAGWIRE & (1)#18 AWG STRANDED.
- Δ 6 SET-UP ONLY, (1)#17 & (1)#20 MAGWIRE.
- Δ 7 SET-UP ONLY, (1)#17 & (1)#22 MAGWIRE.
- Δ 8 SET-UP ONLY, (1)#18 & (1)#22 MAGWIRE.
- Δ 9 PIN MUST BE REMOVED TO ALLOW FOR GUARD.

THIS DRAWING IS A CONTROLLED DOCUMENT.

APPROVED: R.O. WILSON 23JUL04

DESIGNED: R.O. WILSON 23JUL04

DATE: 26JUL04

NAME: END FEED HDM APPLICATOR

PRODUCT SPEC: -

APPLICATION SPEC: -

SIZE: A1

SCALE: 1:1

SHEET: 1 OF 1

REV: B

CUSTOMER DRAWING

Mouser Electronics

Authorized Distributor

Click to View Pricing, Inventory, Delivery & Lifecycle Information:

[TE Connectivity:](#)

[1385802-1](#)