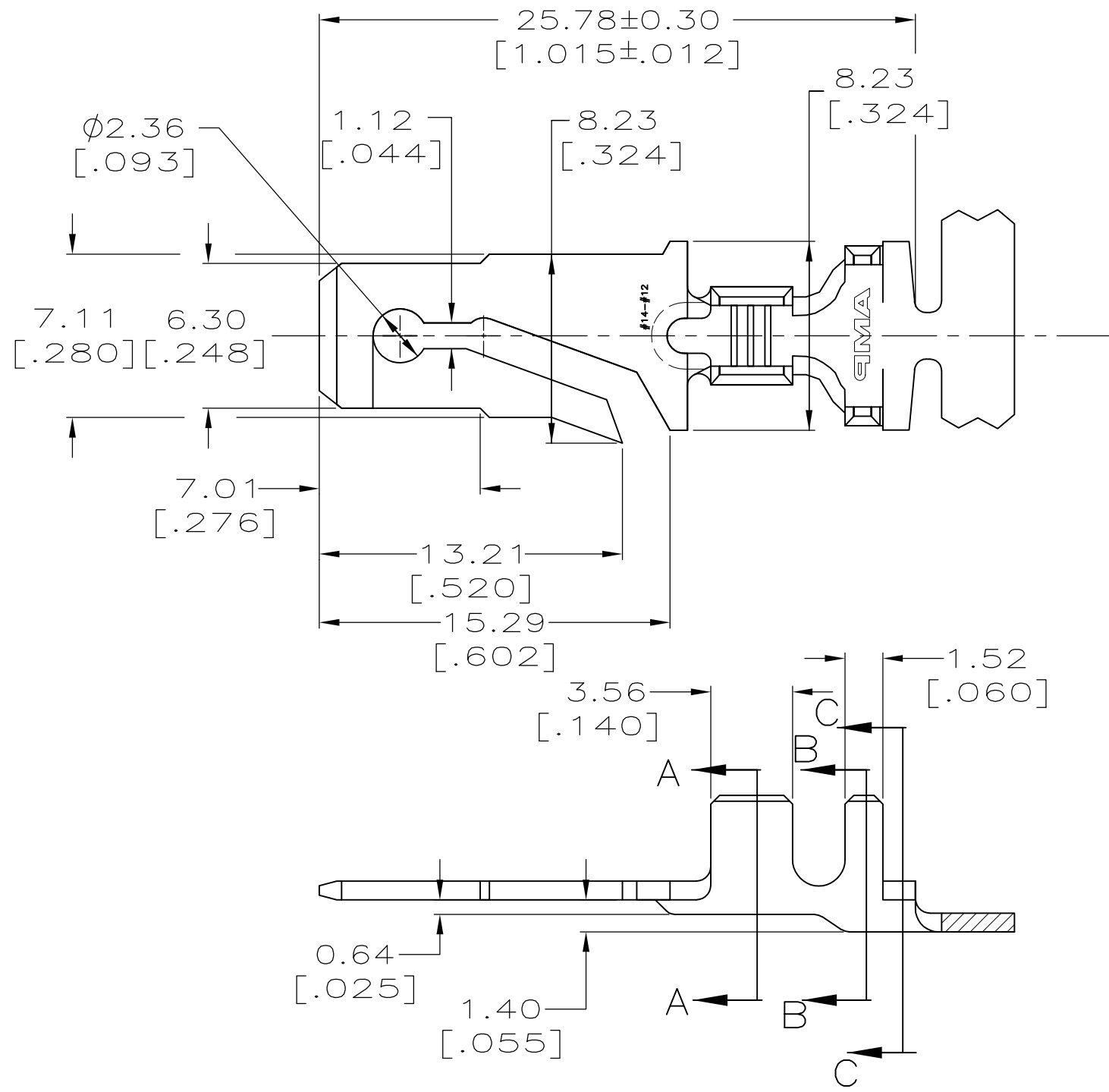
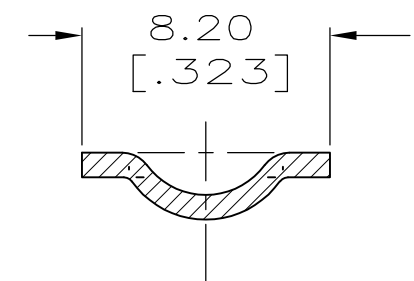


THIS DRAWING IS UNPUBLISHED. RELEASED FOR PUBLICATION
 © COPYRIGHT - By - ALL RIGHTS RESERVED.

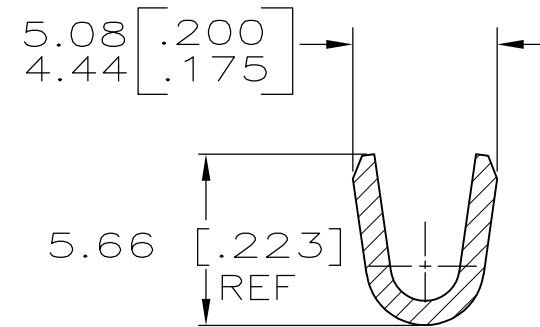
LOC	DIST	REVISIONS			
P	LTR	DESCRIPTION	DATE	DWN	APVD
AF	50	D	REVISED PER ECR-13-005733	22AUG2013	KH PD



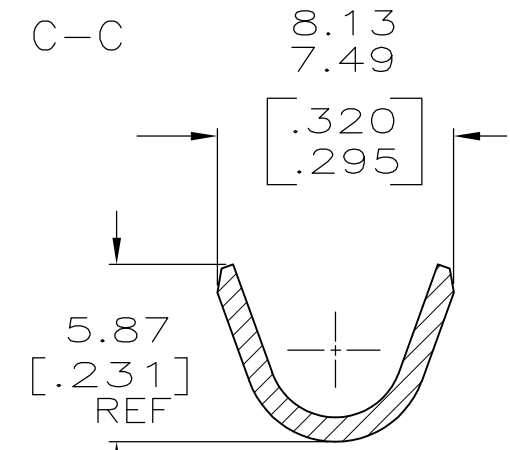
- 1 CONTINUOUS STRIP ON REELS.
- 2 WIRE SIZE IS [#14-#12] AWG.
- 3 INSULATION RANGE IS 3.56-4.44 [.140-.175] DIA.



SECTION C-C




SECTION A-A



SECTION B-B

1217148-1
PART NO.

THIS DRAWING IS A CONTROLLED DOCUMENT.		DWN	JR RUTH	29MAR99	 TE Connectivity	
DIMENSIONS: mm [INCHES]		CHK	MS FEHER	29MAR99		
TOLERANCES UNLESS OTHERWISE SPECIFIED:		APVD	D BRATINA	29MAR99		
0 PLC ± - 1 PLC ± - 2 PLC ± 0.25 [.010] 3 PLC ± - 4 PLC ± - ANGLES ± -		PRODUCT SPEC		NAME		
MATERIAL	BRASS	FINISH	TIN	APPLICATION SPEC	BLADE, 6.35 [.250] SERIES	
CUSTOMER DRAWING		WEIGHT	-	SIZE	A3	
		SCALE		4:1	CAGE CODE	00779
		SHEET		1 OF 1	DRAWING NO	C-1217148
		REV		D	RESTRICTED TO	-

Mouser Electronics

Authorized Distributor

Click to View Pricing, Inventory, Delivery & Lifecycle Information:

[TE Connectivity:](#)

[1217148-1](#)