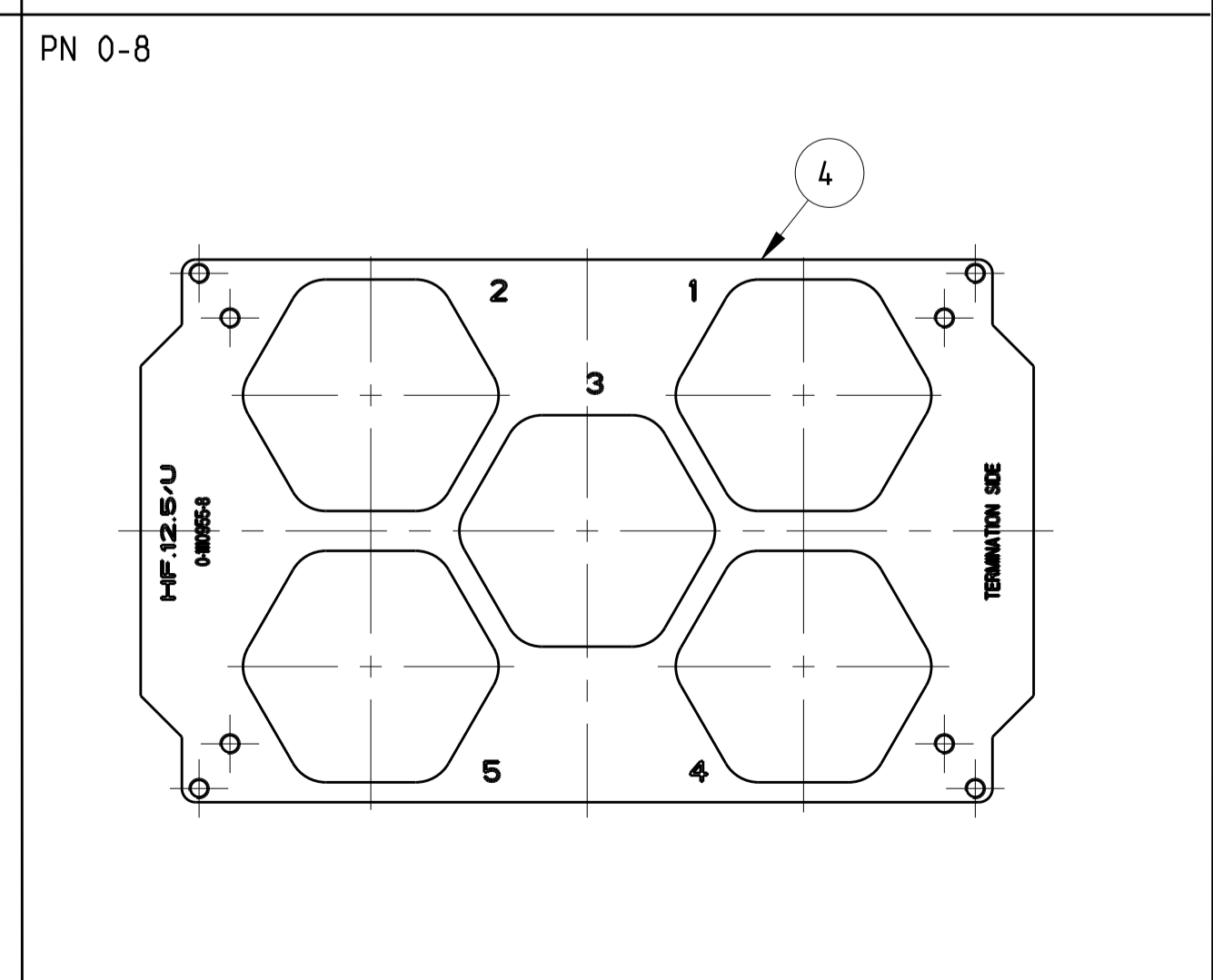
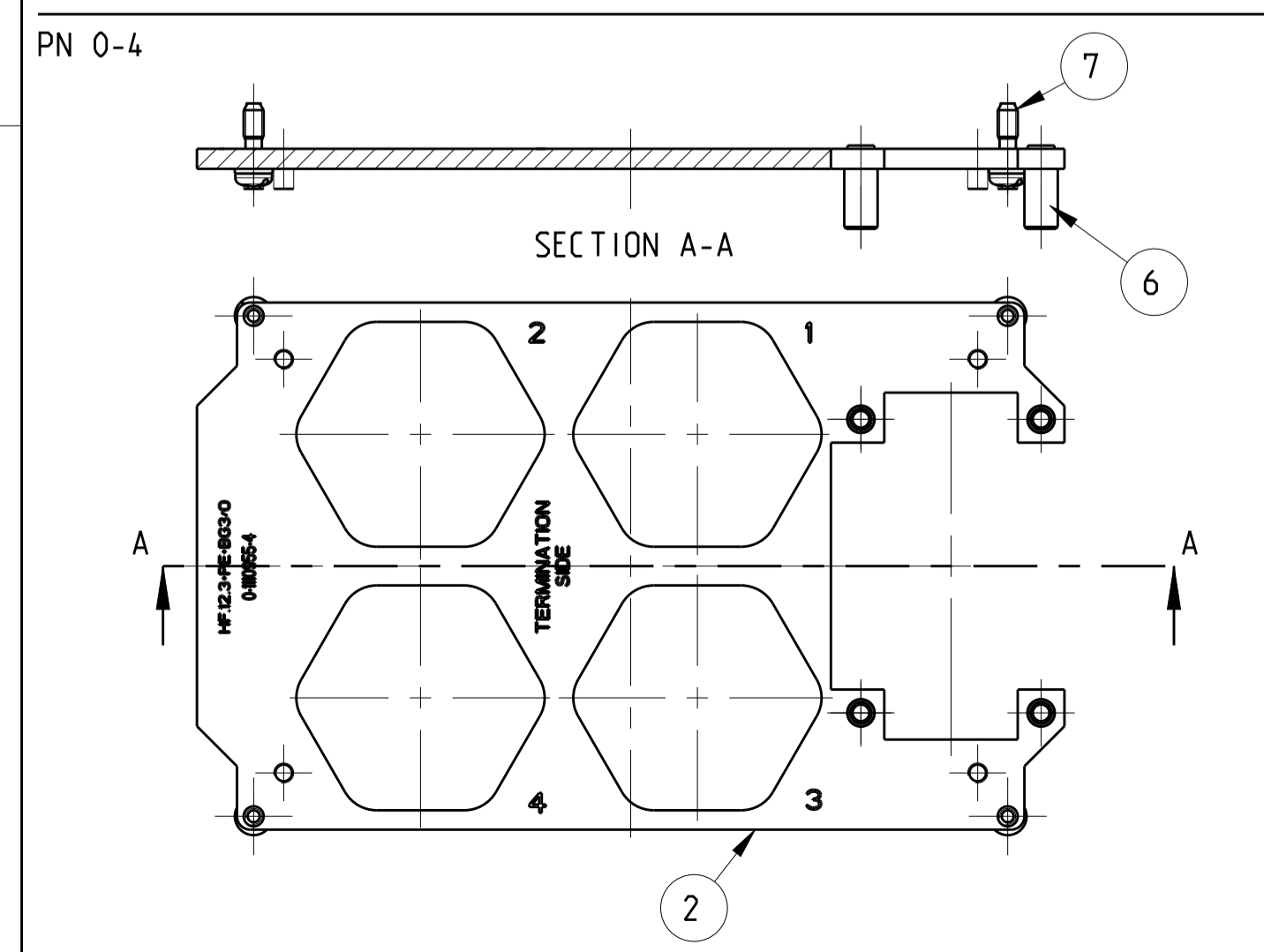
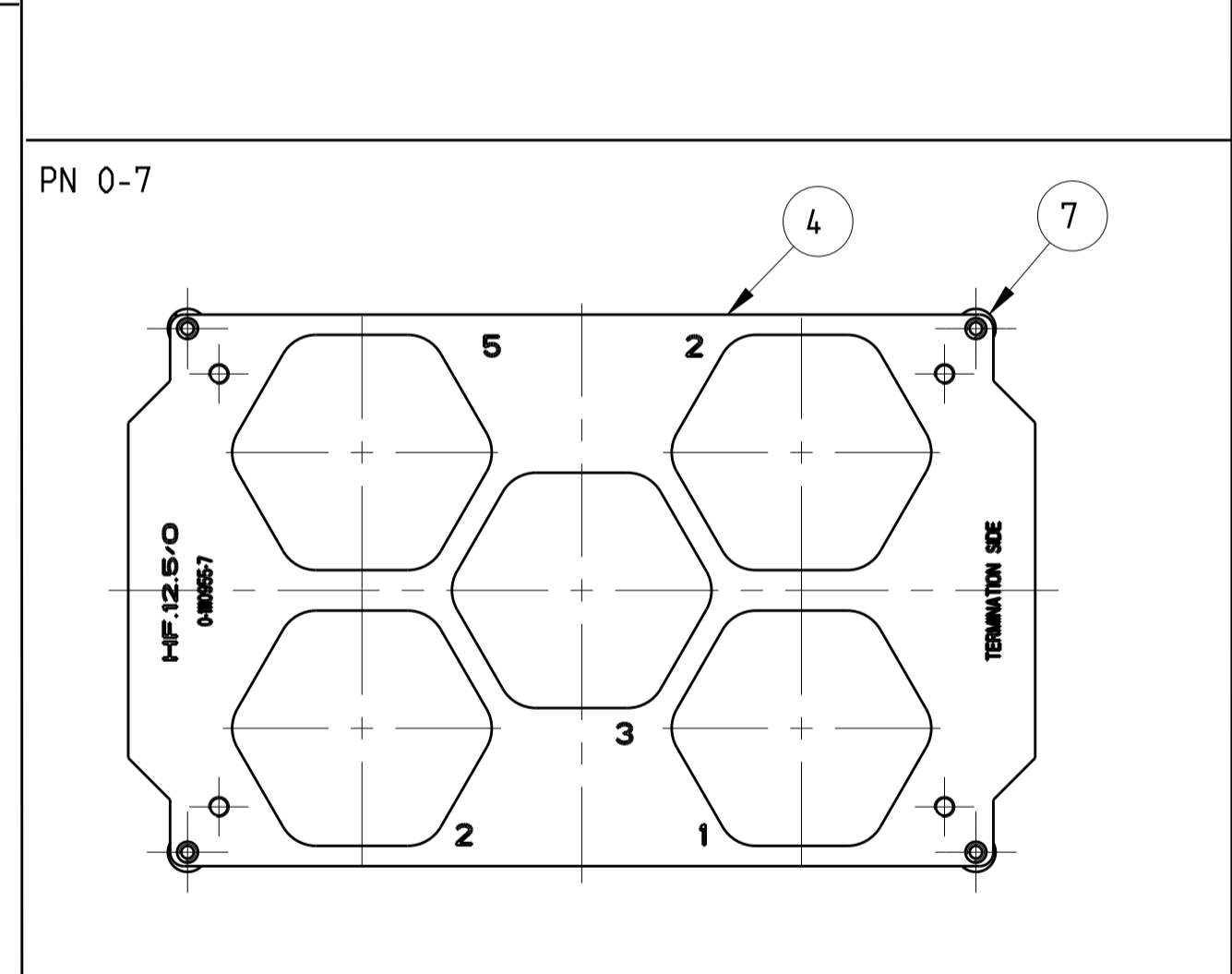
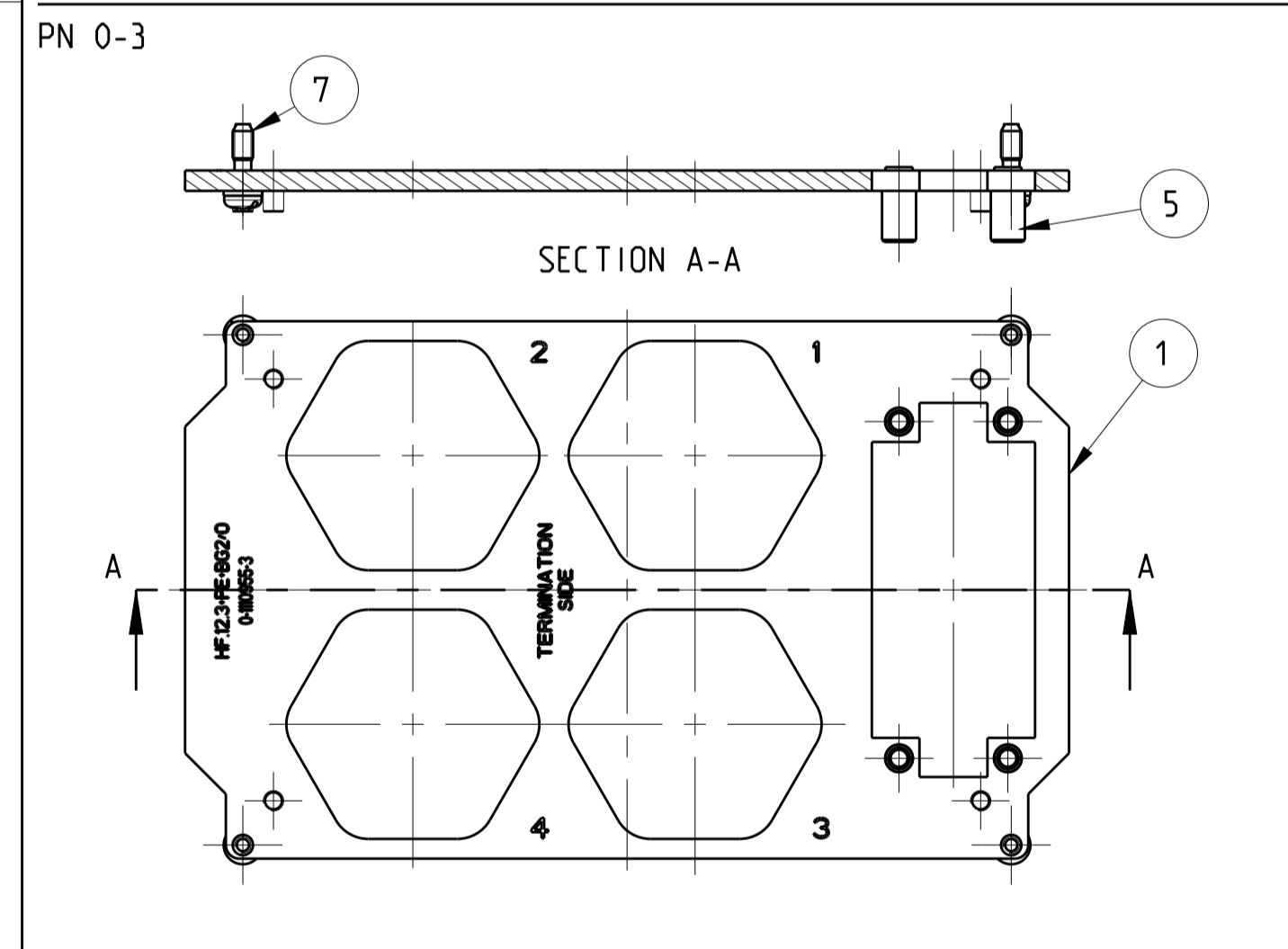
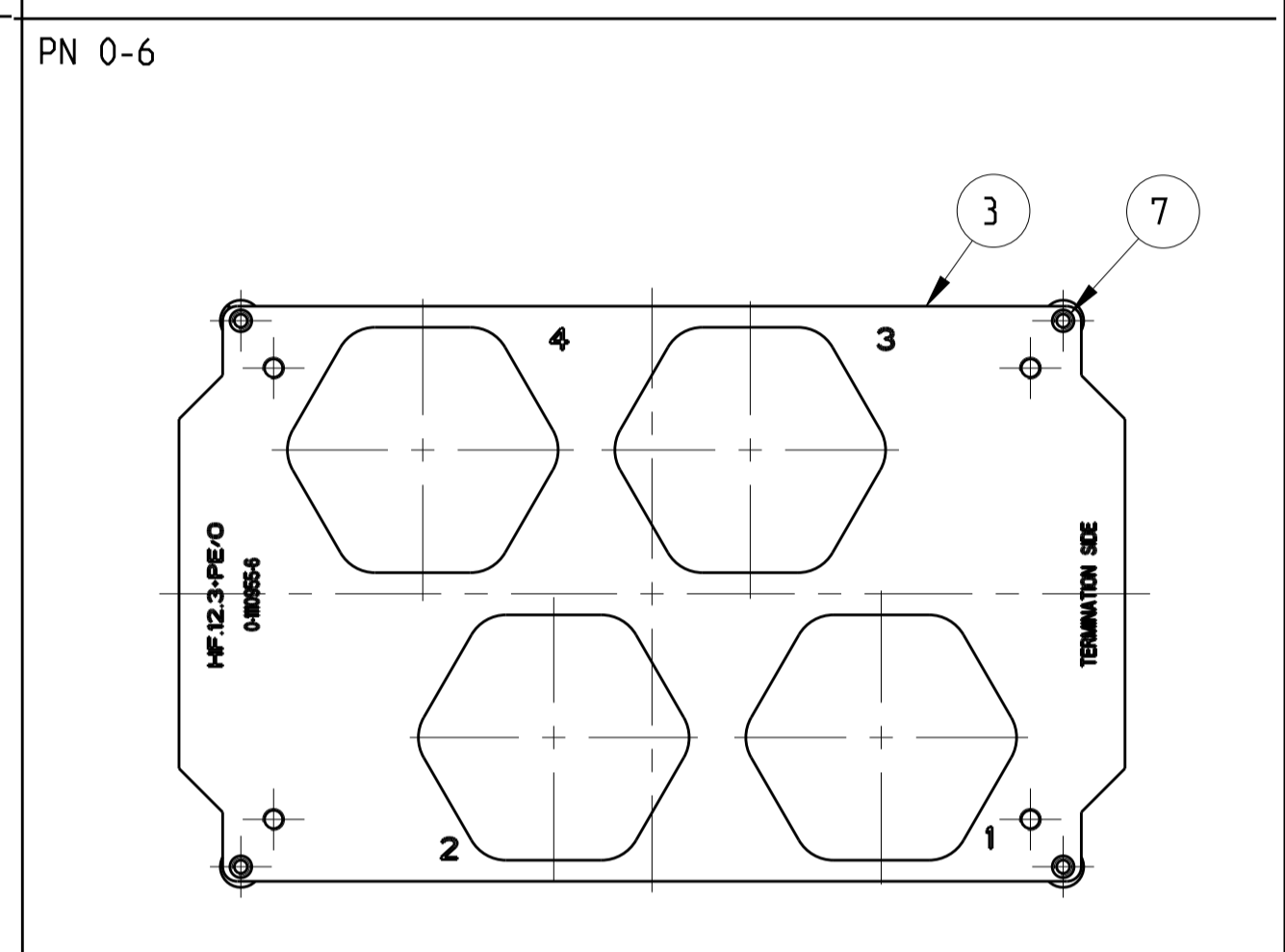
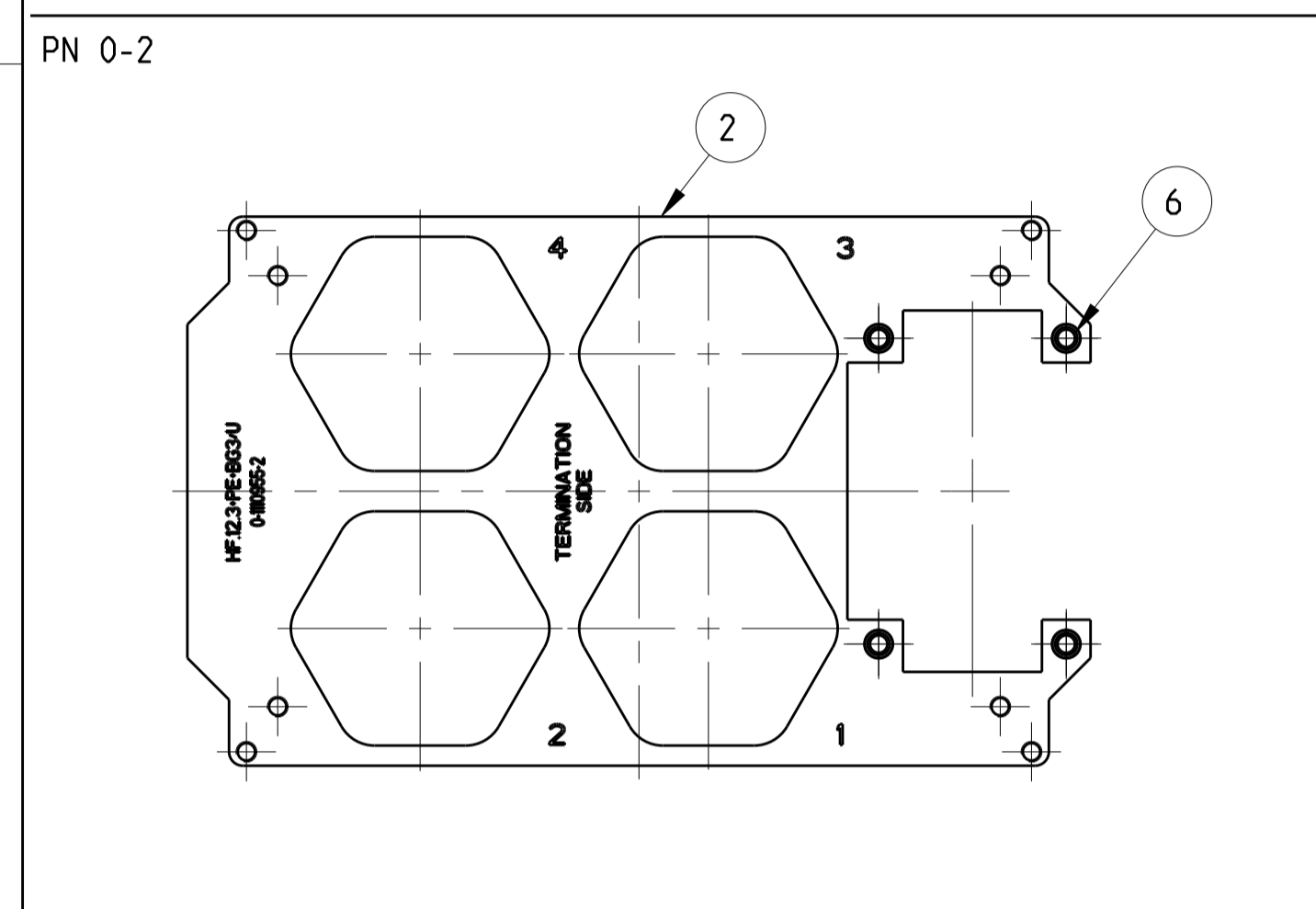
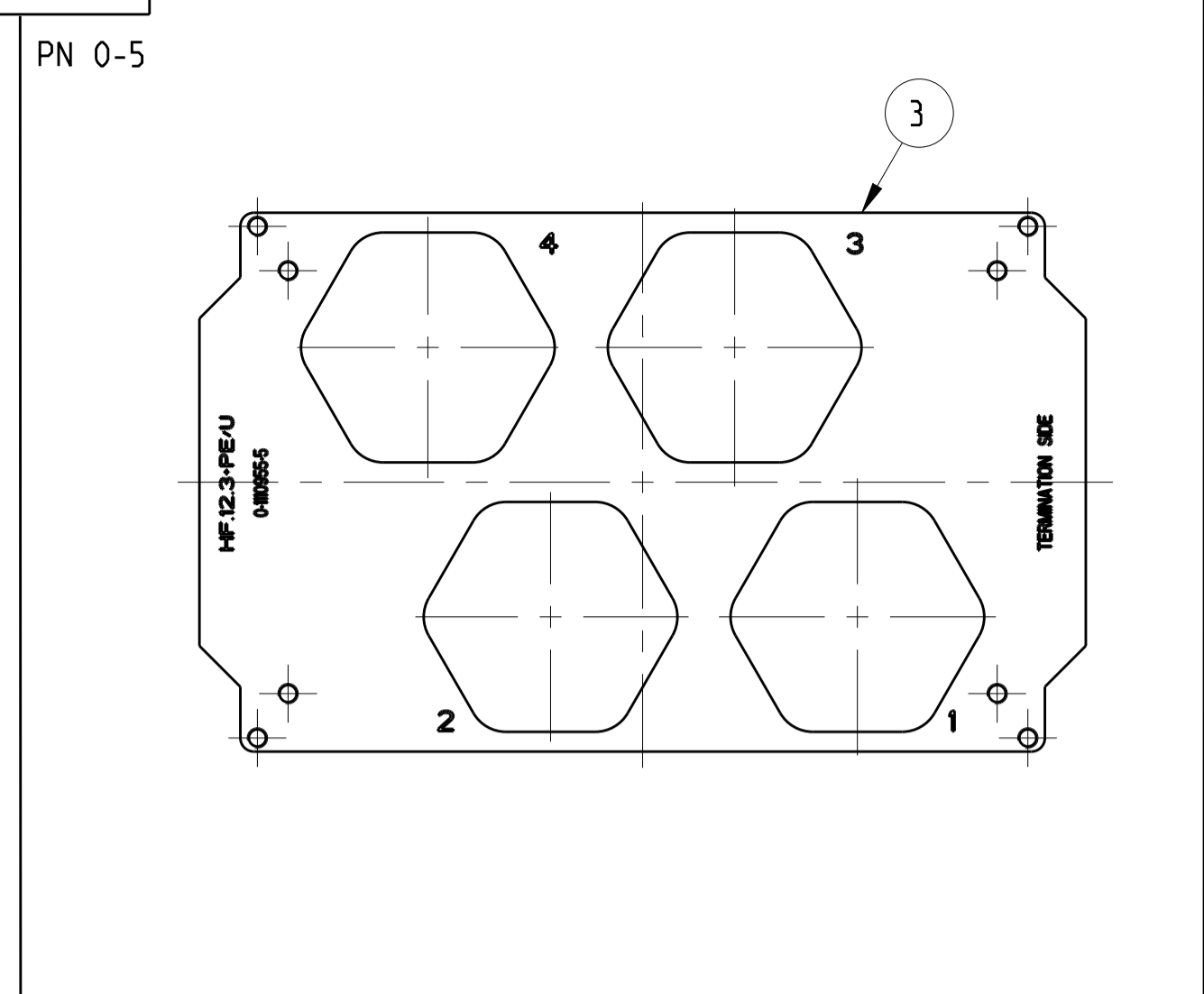
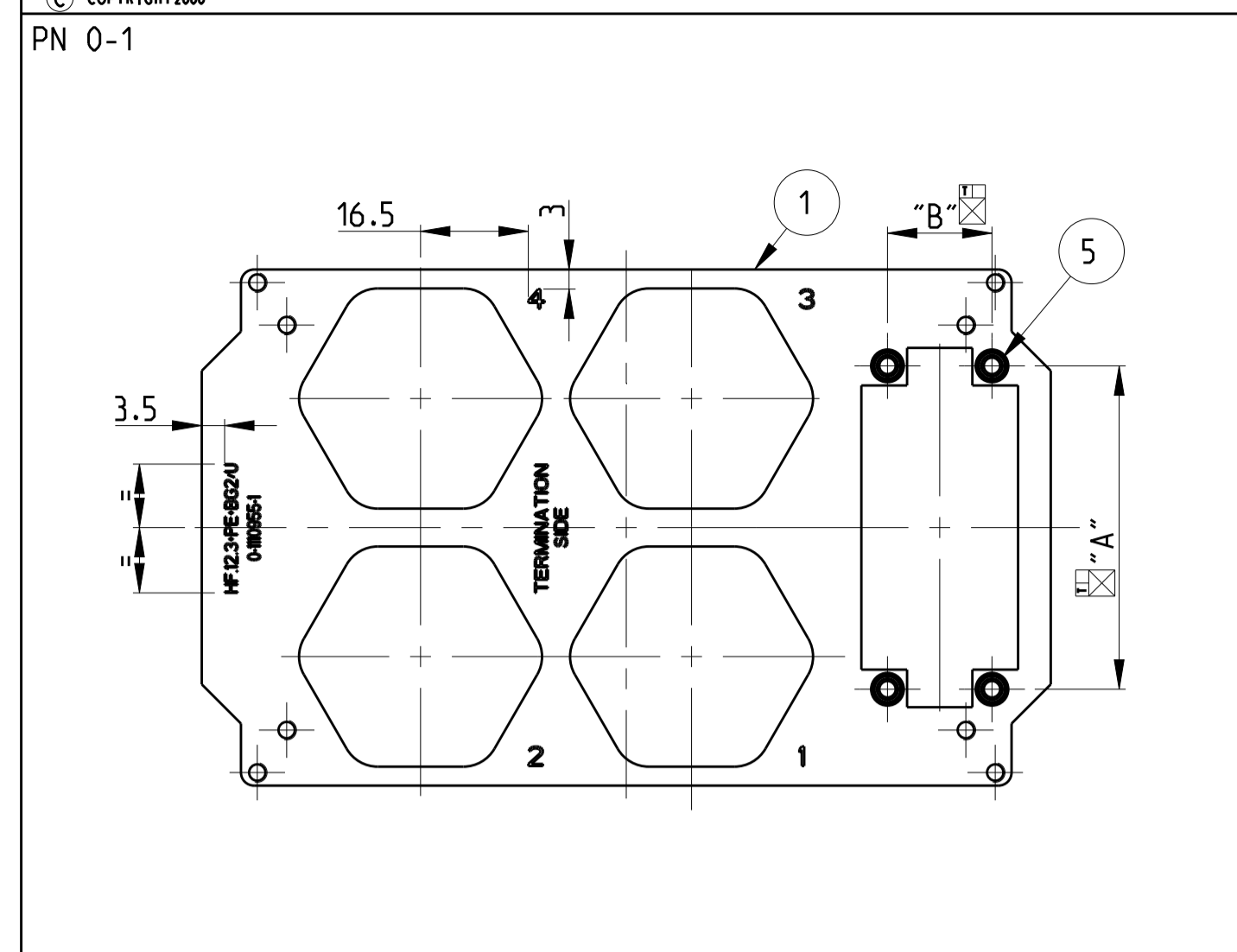
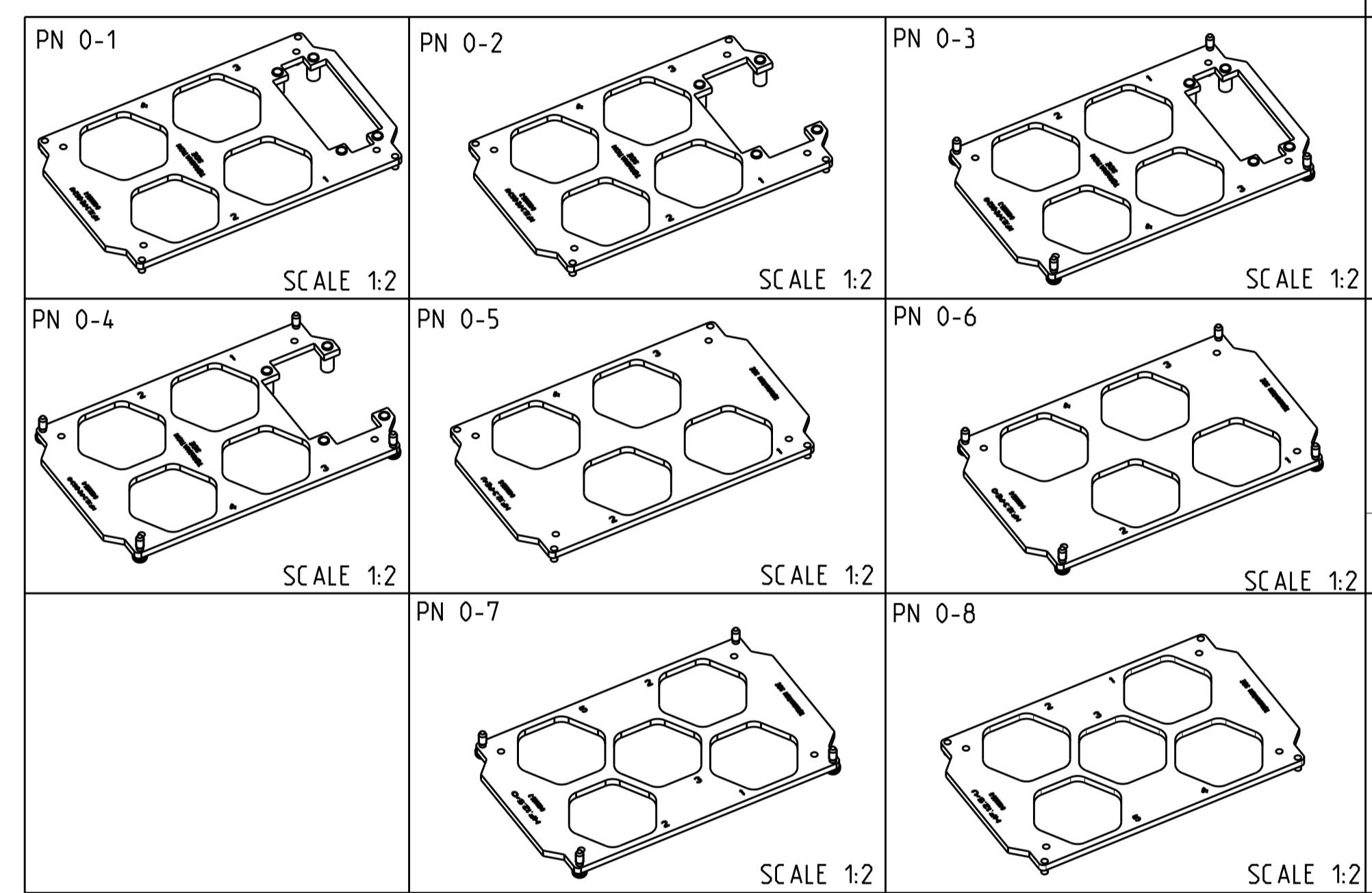


LOC	DIST	REVISIONS			
P	LTR	DESCRIPTION	DATE	DWN	APVD
B9		ECR-16-009338	08DEC2016	GCM	MKO



- NOTES
- 1 MATERIAL:SEE THE TABLE
  - 2 SURFACE:SEE THE TABLE
  - 3 PACKAGING QUANTITY 5 PIECES IN A CARTON
  - 4 WEIGHT:0.112 Kg (APROX)



		OBSOLETE				1		2			
QTY	QTY	QTY	QTY	QTY	QTY	QTY	QTY	QTY	QTY	QTY	QTY
	4	4								7	M3x10.5
			4	4						6	M3x12.5
				4	4					5	M3x11
1	1									4	
		1	1							3	
			1	1				44	27	2	SIZE 3
				1	1			49.5	16	1	SIZE 2
0-8	0-7	0-6	0-5	0-4	0-3	0-2	0-1				ITEM NO
										DESCRIPTION	
										HF.12.3+PE+BG2/U	
										HF.12.3+PE+BG3/U	
										HF.12.3+PE+BG2/O	
										HF.12.3+PE+BG3/O	
										HF.12.3+PE/U	
										HF.12.3+PE/O	
										HF.12.5/O	
										HF.12.5/U	

THIS DRAWING IS A CONTROLLED DOCUMENT. DIMENSIONS: mm. TOLERANCES UNLESS OTHERWISE SPECIFIED: 0 PLC ±, 1 PLC ±, 2 PLC ±, 3 PLC ±, 4 PLC ±, ANGLES ±, FINISH ±.

DMN SCHNEIDER 06.09.2006  
 CHE H.BRAUN 06.09.2006  
 APVD I.SCHNURPEIL 06.09.2006

NAME: I.SCHNURPEIL  
 PRODUCT SPEC: 108-74XXX  
 APPLICATION SPEC: 116-74XXX  
 WEIGHT: 0.112 Kg

STE TE Connectivity  
 FIXING PLATE SERIES HF SIZE 12

SIZE: A1 CAGE CODE: 00779 DRAWING NO: 1110955  
 RESTRICTED TO: CUSTOMER DRAWING SCALE: 1:1 SHEET 1 OF 1 REV: B9

# Mouser Electronics

Authorized Distributor

Click to View Pricing, Inventory, Delivery & Lifecycle Information:

[TE Connectivity:](#)

[1110955-4](#)