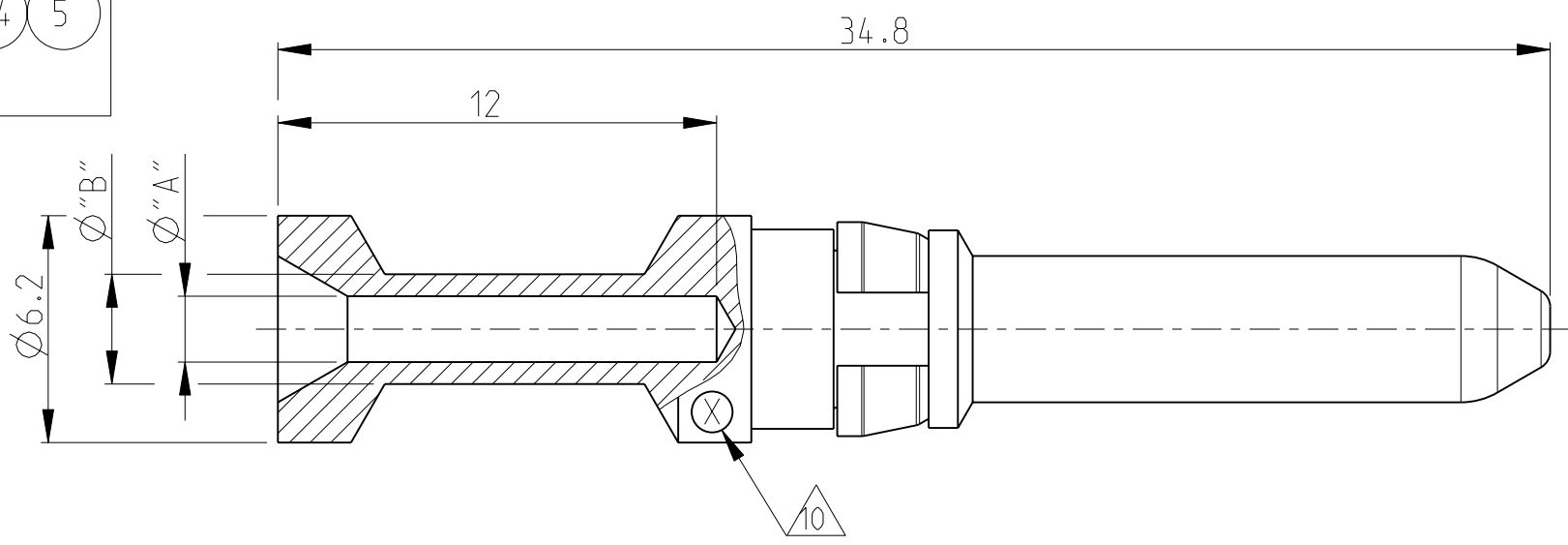
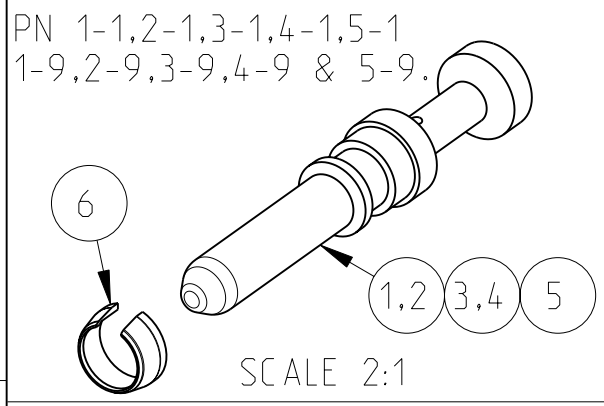


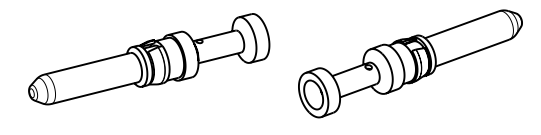
THIS DRAWING IS UNPUBLISHED. RELEASED FOR PUBLICATION 2006
 © COPYRIGHT 2006 BY TYCO ELECTRONICS CORPORATION. ALL RIGHTS RESERVED.

LOC	DIST	REVISIONS					
A1	-	P	LTR	DESCRIPTION	DATE	DWN	APVD
		A5		Released Asper ECR-09-005436	9-Mar-2009	CJ	TS



- Notes
- 1 MATERIAL: BRASS
 - 2 FINISH SILVER PLATING: 2 μm Ag MIN. OVER Cu
 - 3 ASSEMBLY WEIGHT SEE TABLE. VOLUME: 479mm³ (APPROX.)
 - 4 PACKAGING: 25 PIECES IN A POLY-BAG AND CARTON
 - 5 SUITABLE SOCKET CONTACT: PN 1108756
 - 6 SUITABLE INSERTS: SERIES HSK
 - 7 SUITABLE CRIMPING TOOL: PN 1-1105850-8
 - 8 SUITABLE INSERTION TOOL: PN 0-1102855-6
 - 9 SUITABLE EXTRACTION TOOL: PN 0-1102855-8
 - 10 CROSS-SECTION MARKING
 - 11 STANDARDS: DIN EN 61984, DIN EN 60664-1

1	1	1	1	1	1	1	1	1	1	Ni	CLIP	-	-	-	-	6		
1					1					Ag 2	PIN CONTACT	10	0.0041	4.35	5.9	8	12	5
	1					1					PIN CONTACT	6.0	0.0041	3.5	4.9	7	12	4
		1					1				PIN CONTACT	4.0	0.0041	2.85	3.9	6	12	3
			1					1			PIN CONTACT	2.5	0.0039	2.2	3.2	5	12	2
				1					1		PIN CONTACT	1.5	0.0040	1.8	3.0	4	12	1
5-9	4-9	3-9	2-9	1-9	5-1	4-1	3-1	2-1	1-1			[MM ²]		"A"	"B"	CROSS-SECTION MARKINGS	(MM)	ITEM NO
HS.K-C-Sti.Ag 10mm ²	HS.K-C-Sti.Ag 6mm ²	HS.K-C-Sti.Ag 4mm ²	HS.K-C-Sti.Ag 2.5mm ²	HS.K-C-Sti.Ag 1.5mm ²	HS.K-C-Sti.Ag 10mm ²	HS.K-C-Sti.Ag 6mm ²	HS.K-C-Sti.Ag 4mm ²	HS.K-C-Sti.Ag 2.5mm ²	HS.K-C-Sti.Ag 1.5mm ²	PLATING	DESCRIPTION	CROSS SECTION	WEIGHT IN (Kg)	DIMENSIONS		CROSS-SECTION MARKINGS	STRIPPING-LENGTH	
4	4	4	4	4	4	4	4	4	4				3			10		



SCALE 1:1

THIS DRAWING IS A CONTROLLED DOCUMENT FOR TYCO ELECTRONICS CORPORATION. IT IS SUBJECT TO CHANGE AND THE CONTROLLING ENGINEERING ORGANIZATION SHOULD BE CONTACTED FOR THE LATEST REVISION.

DIMENSIONS:		TOLERANCES UNLESS OTHERWISE SPECIFIED:	
mm		n. ISO 2768-mh-E	
		b. DIN 16901	
		0 PLC ±	
		1 PLC ±	
		2 PLC ±	
		3 PLC ±	
		4 PLC ±	
		ANGLES ±	
MATERIAL		FINISH	
1		2	

DWN	SCHWEIGER	03Mar2008	Tyco Electronics AMP GmbH 53757 Sankt Augustin, Germany	
CHK	H.BRAUN	03Mar2008		
APVD	T. SCHNURPFEL	03Mar2008	NAME	
PRODUCT SPEC			PIN CONTACT SERIES HSK	
108-74004				
APPLICATION SPEC				
114-74003				
WEIGHT			RESTRICTED TO	
-				
CUSTOMER DRAWING			SCALE	SHEET
			5:1	1 OF 1
			REV	A5

Mouser Electronics

Authorized Distributor

Click to View Pricing, Inventory, Delivery & Lifecycle Information:

[TE Connectivity:](#)

[5-1108757-1](#)