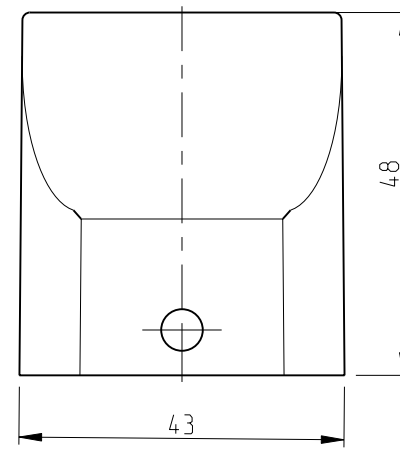
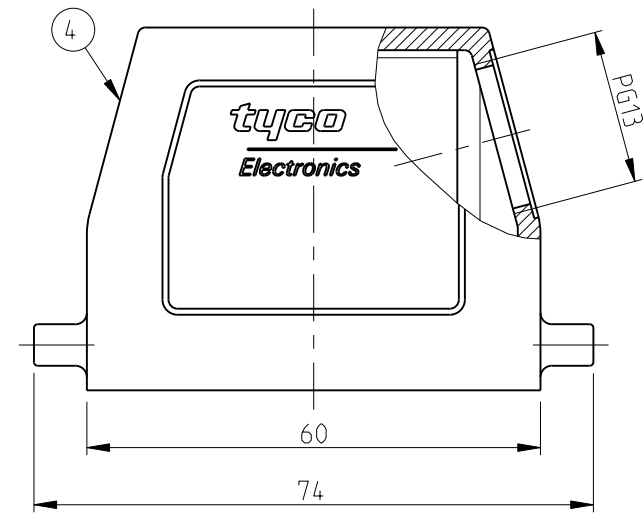


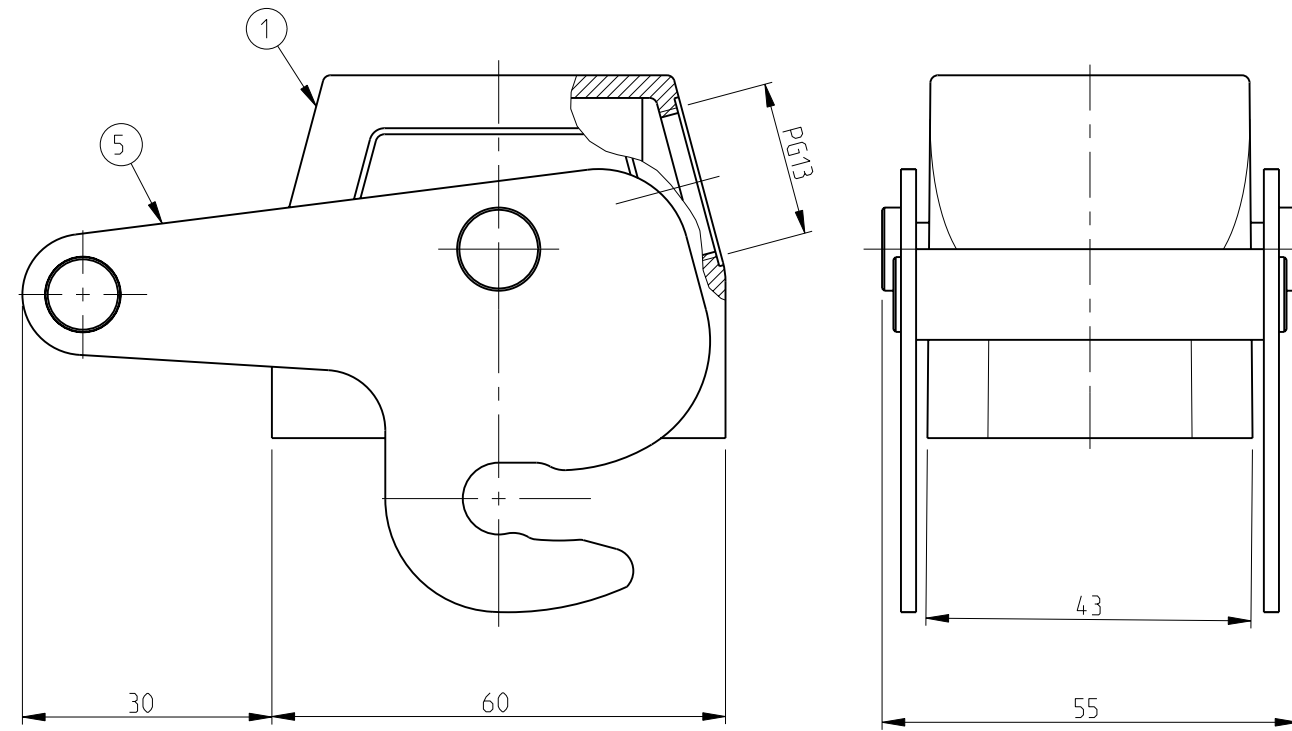
THIS DRAWING IS UNPUBLISHED. RELEASED FOR PUBLICATION 1997
 © COPYRIGHT 1997 BY TYCO ELECTRONICS CORPORATION. ALL RIGHTS RESERVED.

REVISIONS					
P	LTR	DESCRIPTION	DATE	DWN	APVD
A4		ECR-10-014419	08JUL2010	SR	AR

PN 0-4

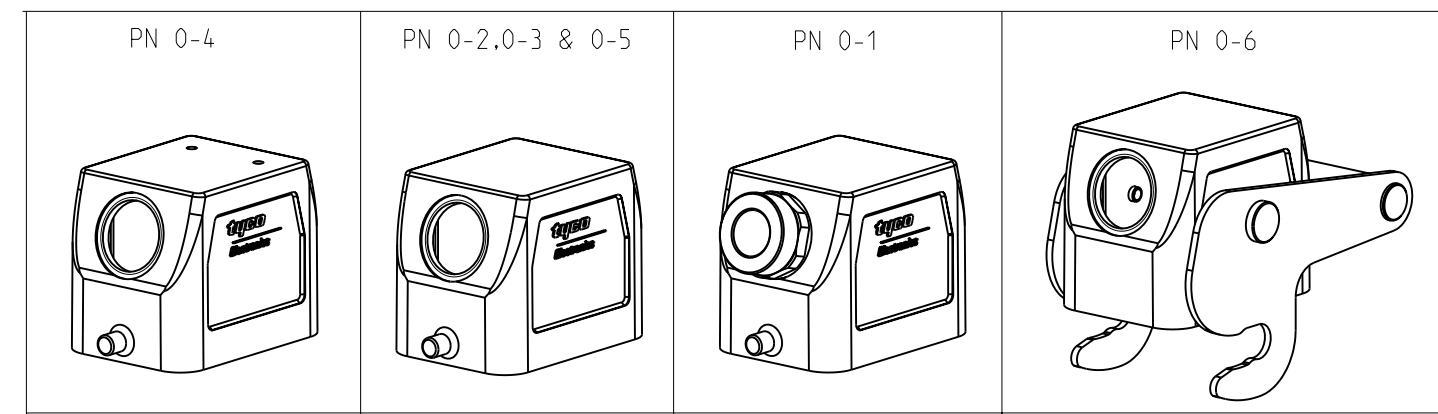
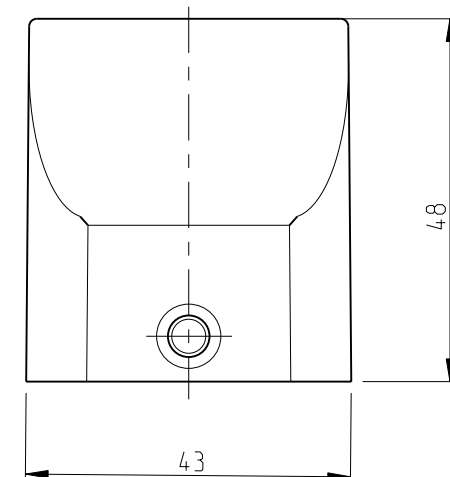
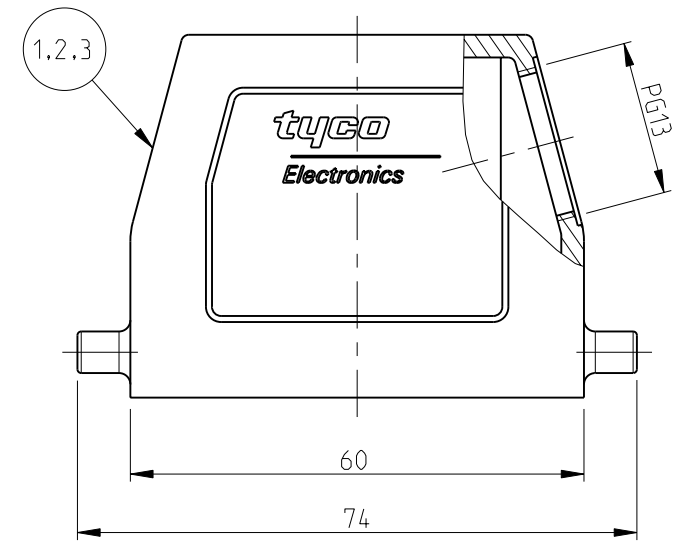


PN 0-6

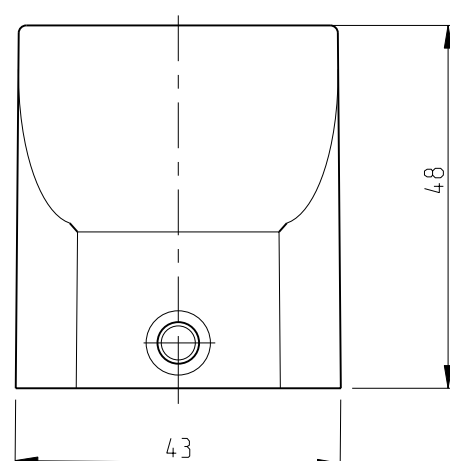
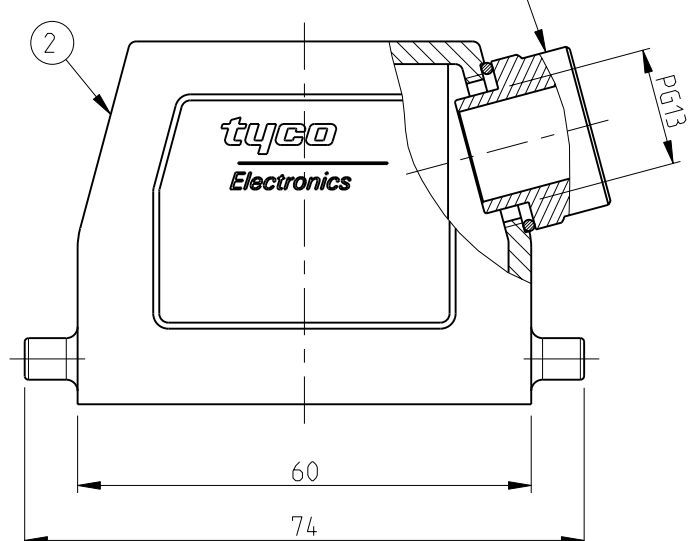


- Notes
- 1 Material: Housing: Aluminium diecasting alloy
 - 2 Surface:- Varnish-grey
-Aluminium oxide+
Varnish black
 - 3 Varnish on the inside not necessary
 - 4 Packaging
Packaging quantity: 5 pieces in a box

PN 0-2.0-3 & 0-5



PN 0-1



OBSOLETE											
QTY	DESCRIPTION	MATERIAL	SURFACE	COLOR	ITEM NO	NOTES					
1	O-Ring PG13	Perbunan		Black	9						
1	Adapter	Brass	Nickel plated	Blue	8						
2	Clip positioner-ZBI	Steel	Zinc plated	Blue	7						
1	ZB-Side clip	Steel	Zinc plated	Blue	6						
1	Hood HB6	Aluminium		Grey	5						
1	Hood HB6	Aluminium	HC	ALU-Colored	4						
1	Hood HB6	Aluminium	HC	Black	3						
1	Hood HB6	Aluminium		Grey	2						
1	Hood HB6	Aluminium		Grey	1						
0-6	0-1	0-2	0-5	0-4	0-3	DESCRIPTION	MATERIAL	SURFACE	COLOR	ITEM NO	NOTES
						HB-6.STS.1.13G					
						HB-6.STS.1.13.G+2.M3					
						HB-K.6.STS.1.13.G					
						HB-K.6.STS.1.13.G-S0					
						HB-K.6.STS.1.13.Z					
						HB-Z.6.STS-ZB.1.13.G					

THIS DRAWING IS A CONTROLLED DOCUMENT FOR TYCO ELECTRONICS CORPORATION. IT IS SUBJECT TO CHANGE AND THE CONTROLLING ENGINEERING ORGANIZATION SHOULD BE CONTACTED FOR THE LATEST REVISION.

DWN Schneider 29.11.2002
 CHK Schweiger 29.11.2002
 APVD

Tyco Electronics Tyco Electronics.AMP.GmbH
 53757 Sankt Augustin Germany

NAME: HOOD HB.6.STS.1.13.G.and Z

PRODUCT SPEC: 108/74001/74003
 APPLICATION SPEC: 114-74001/74004/74005

SCALE: 1:1 SHEET 1 OF 1 REV. A4

Mouser Electronics

Authorized Distributor

Click to View Pricing, Inventory, Delivery & Lifecycle Information:

[TE Connectivity:](#)

[1108573-5](#)