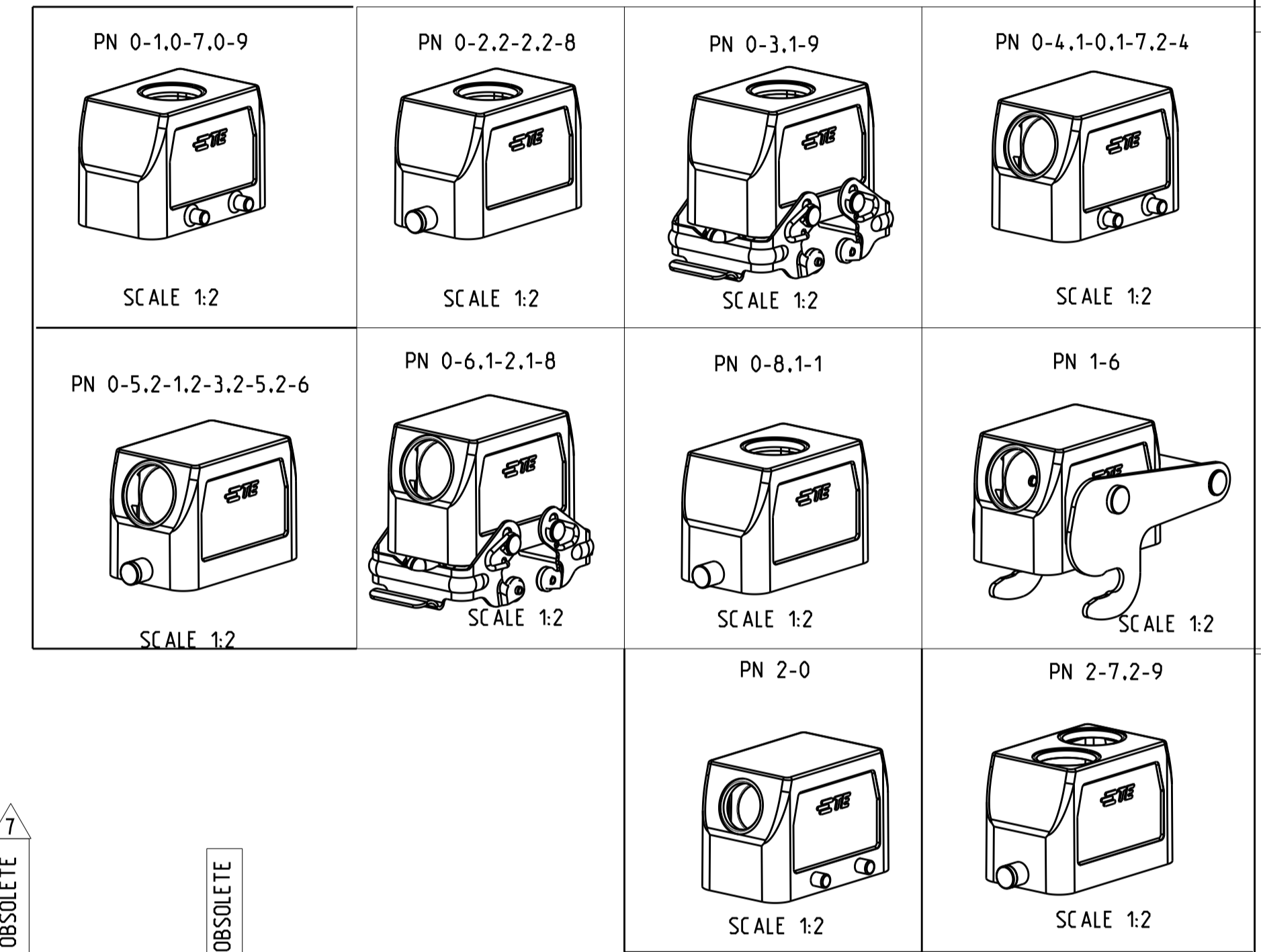
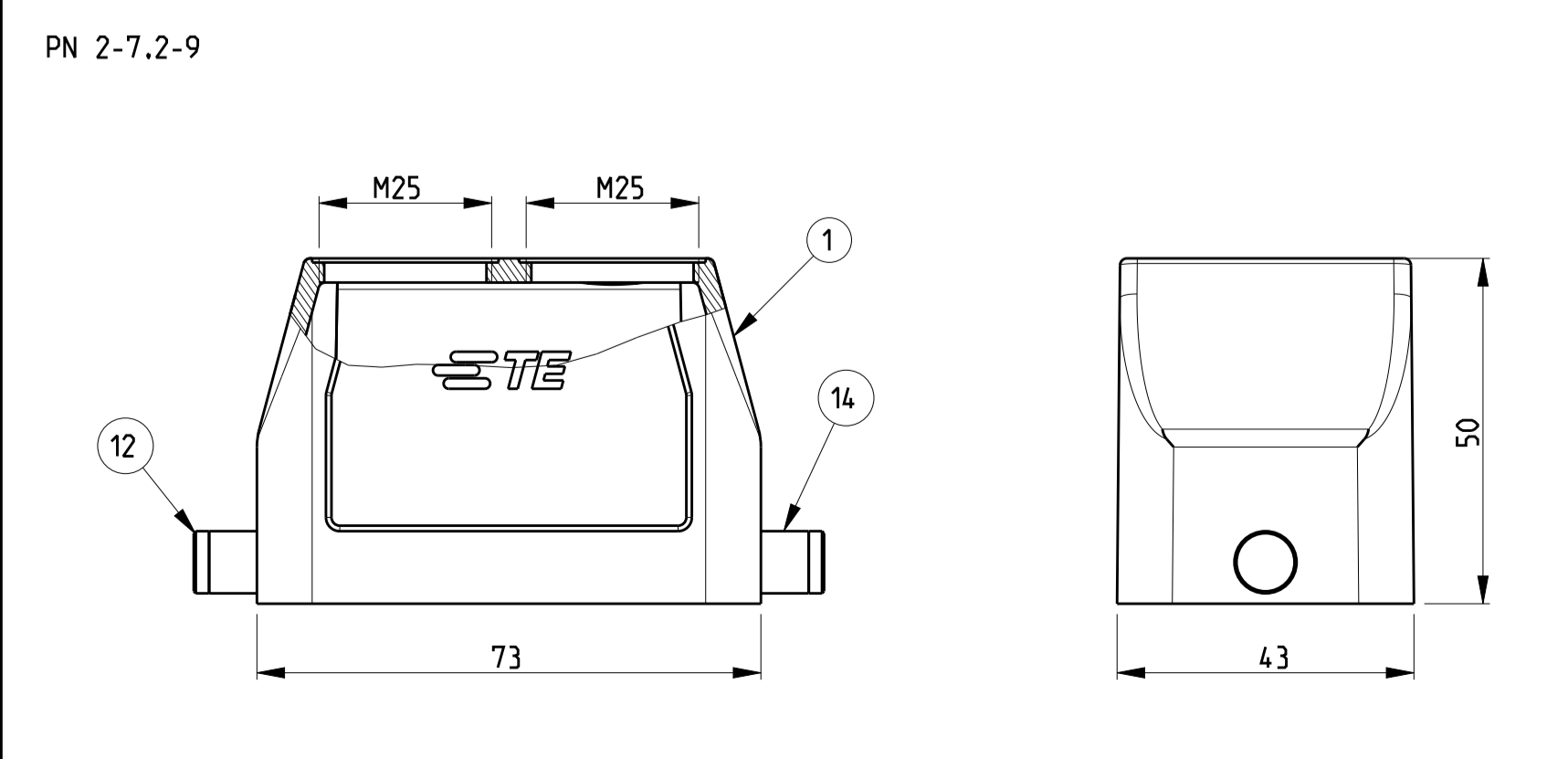
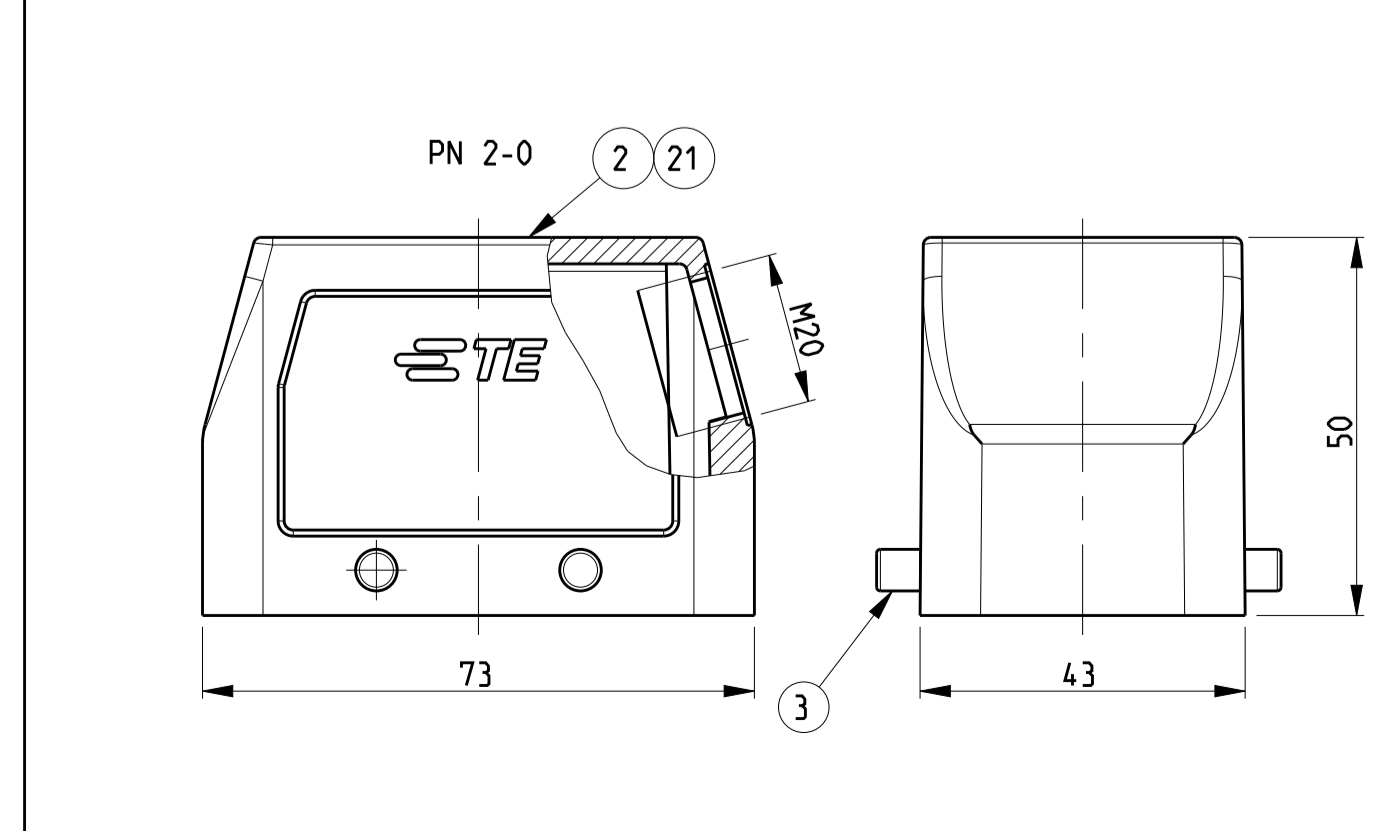
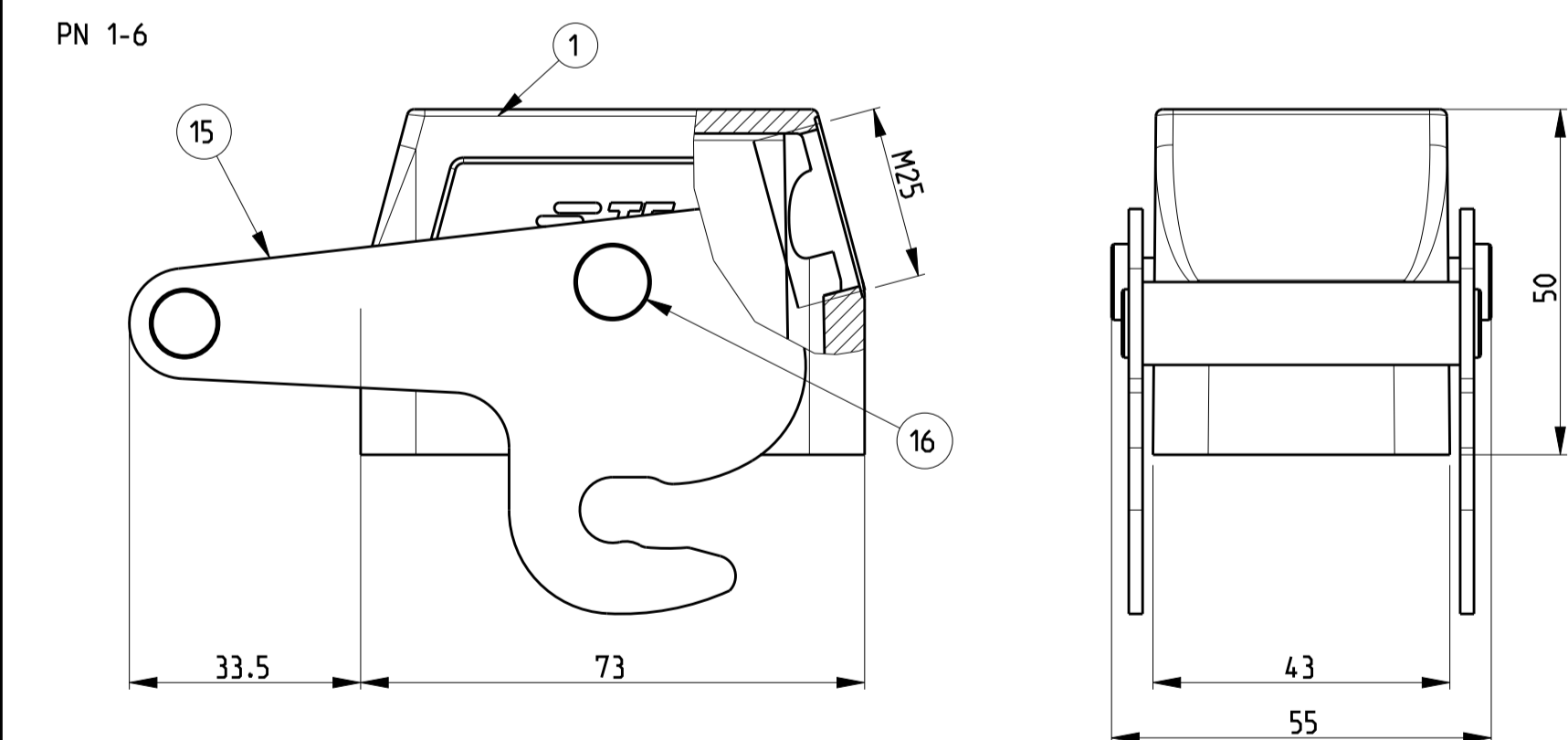
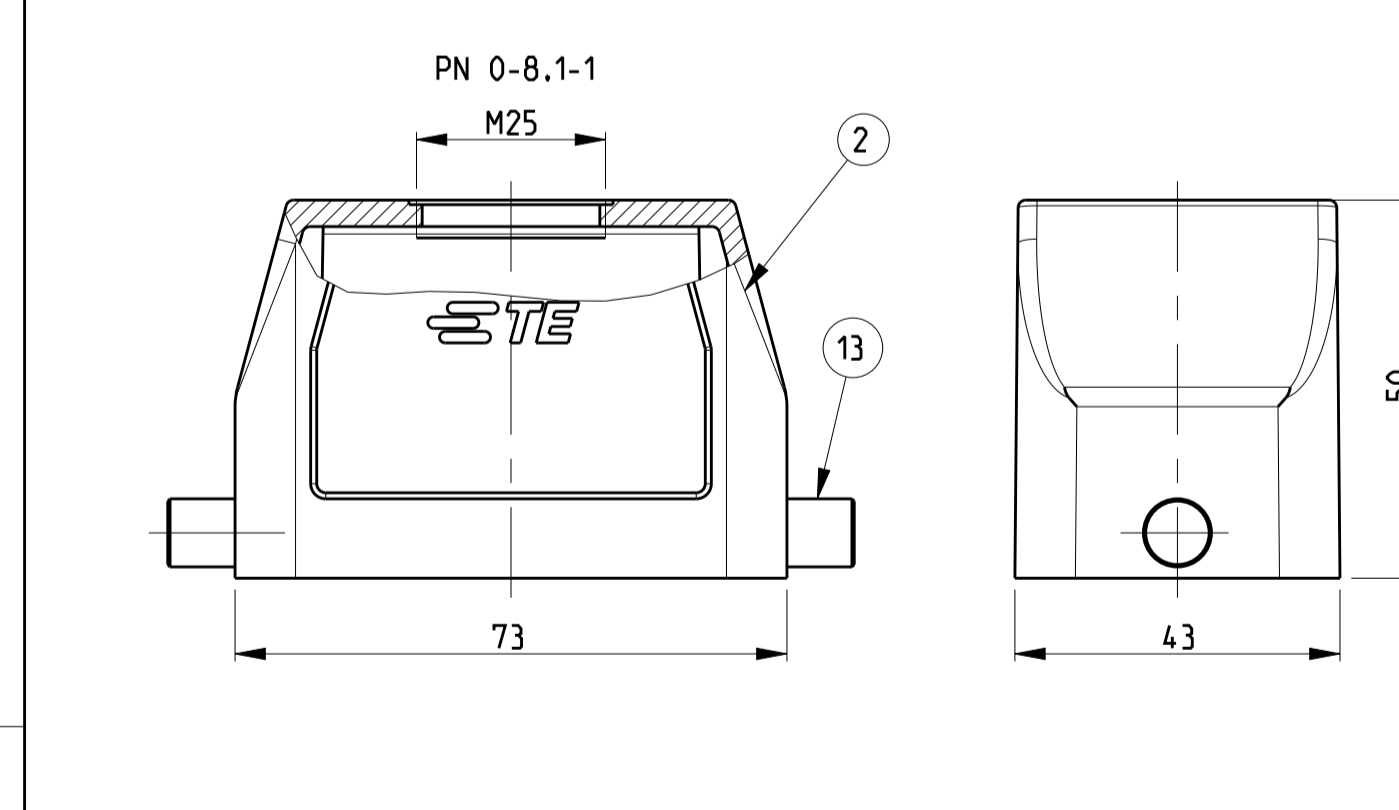
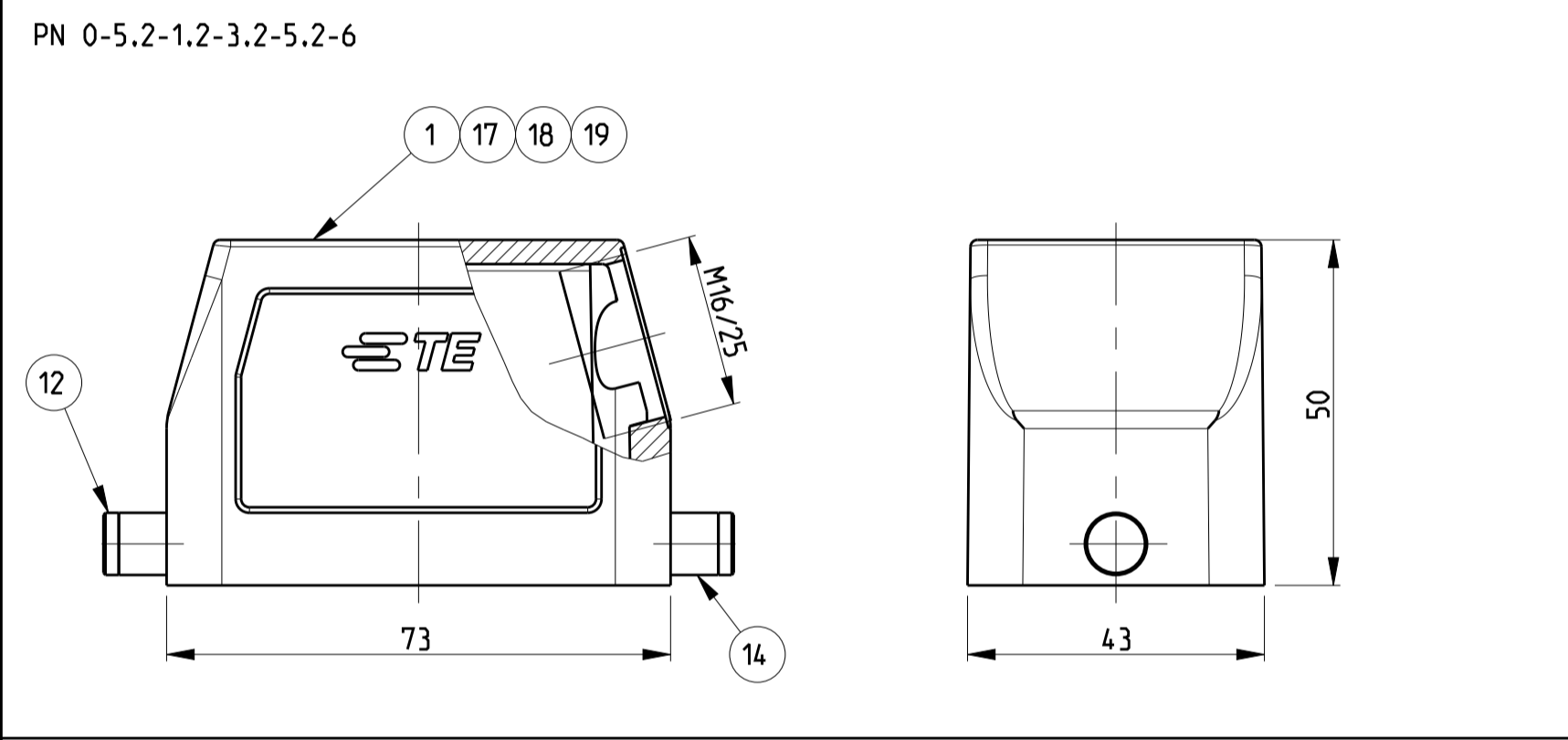
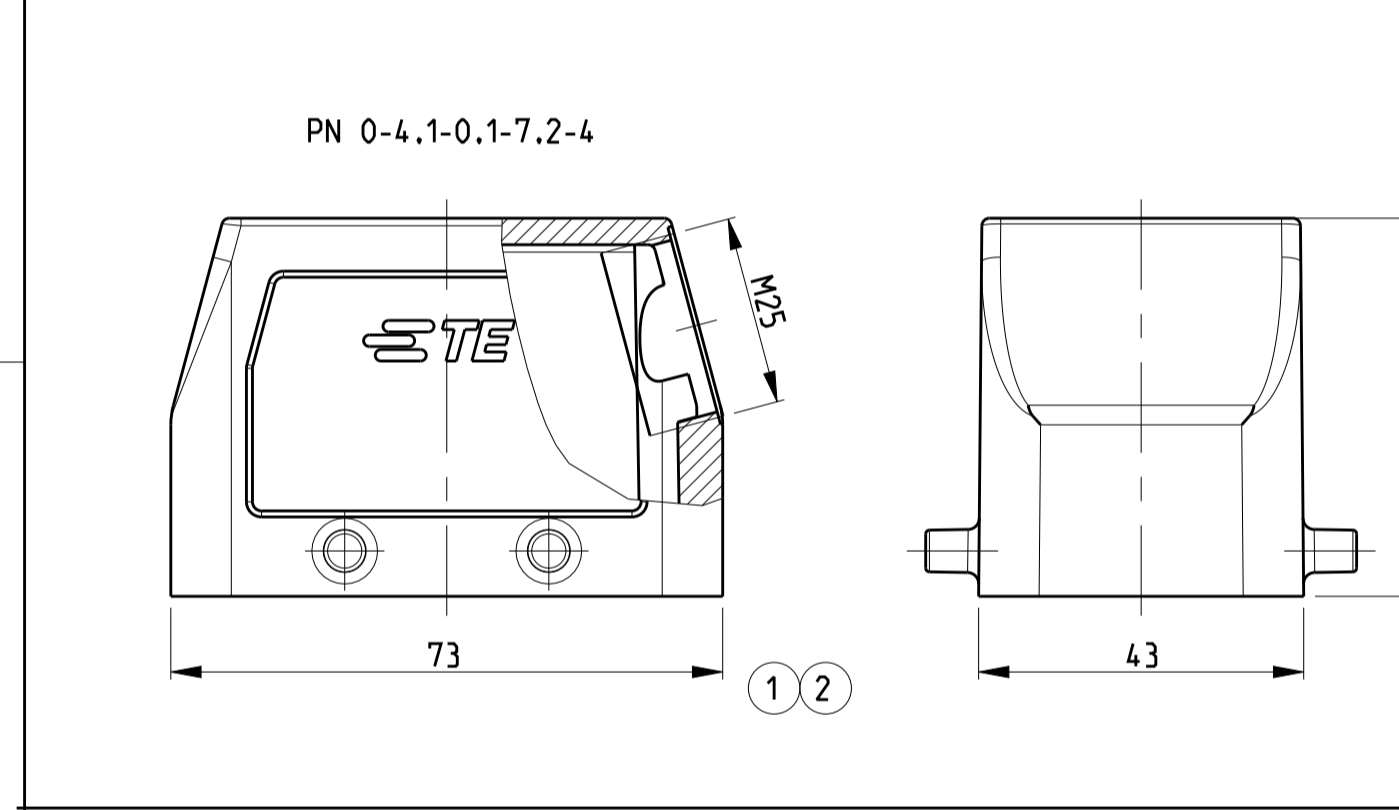
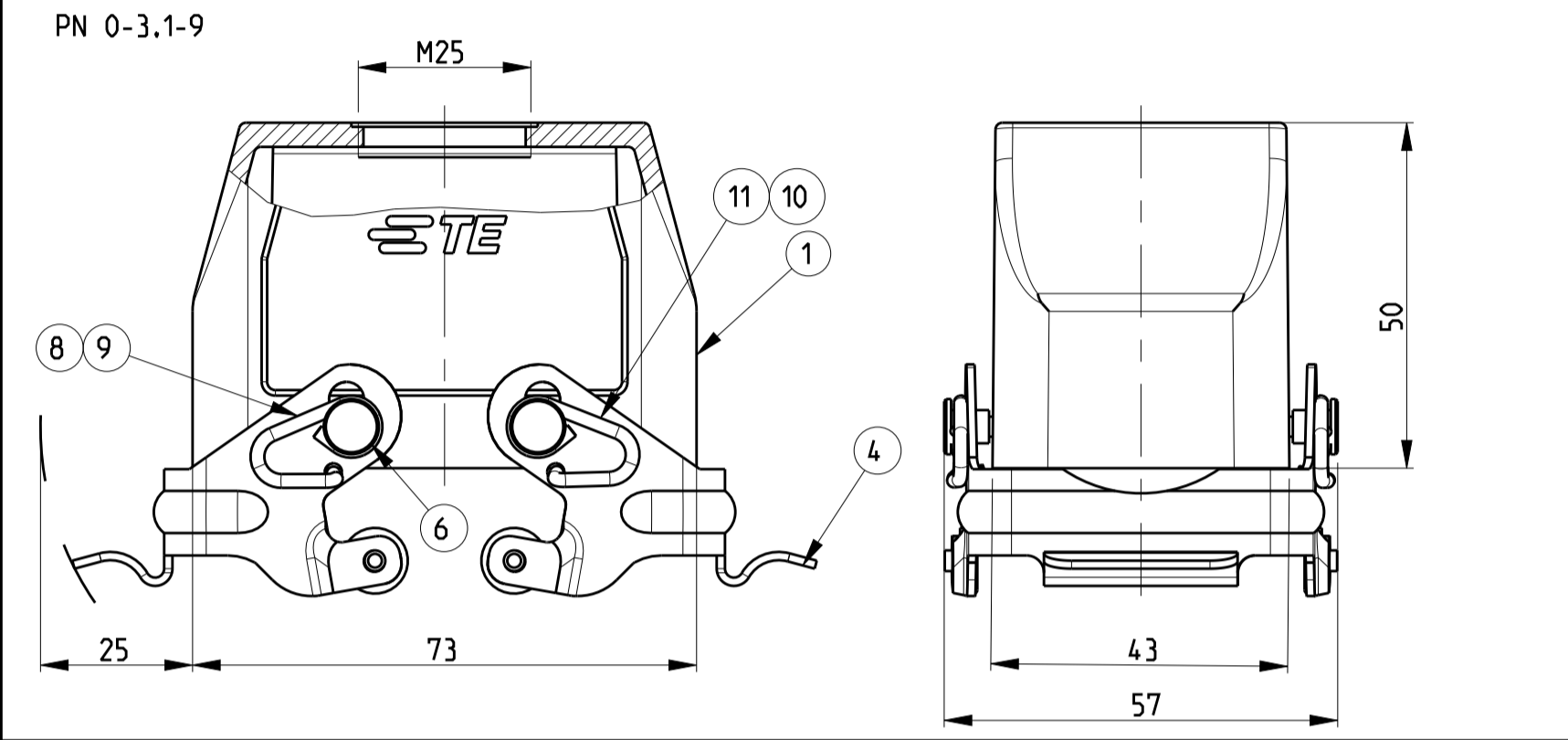
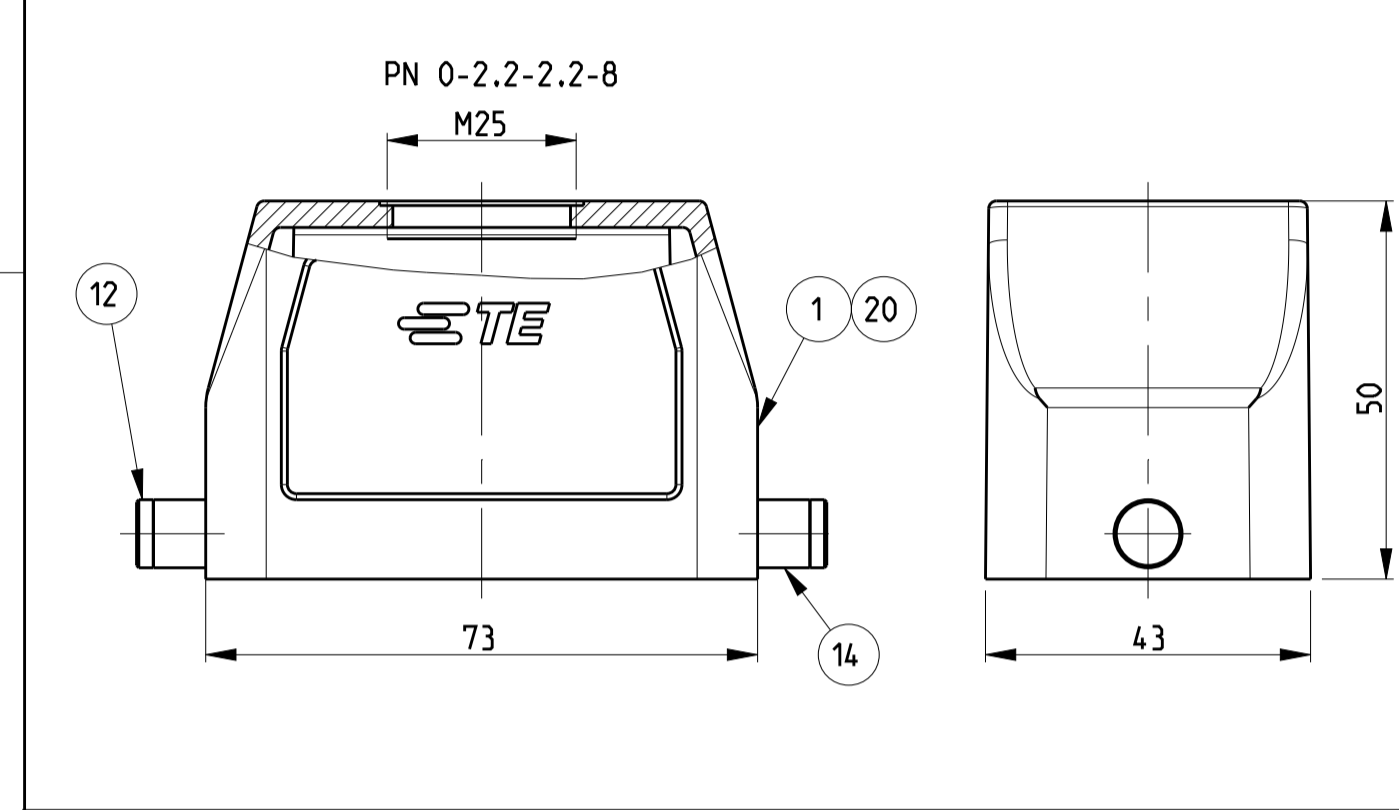
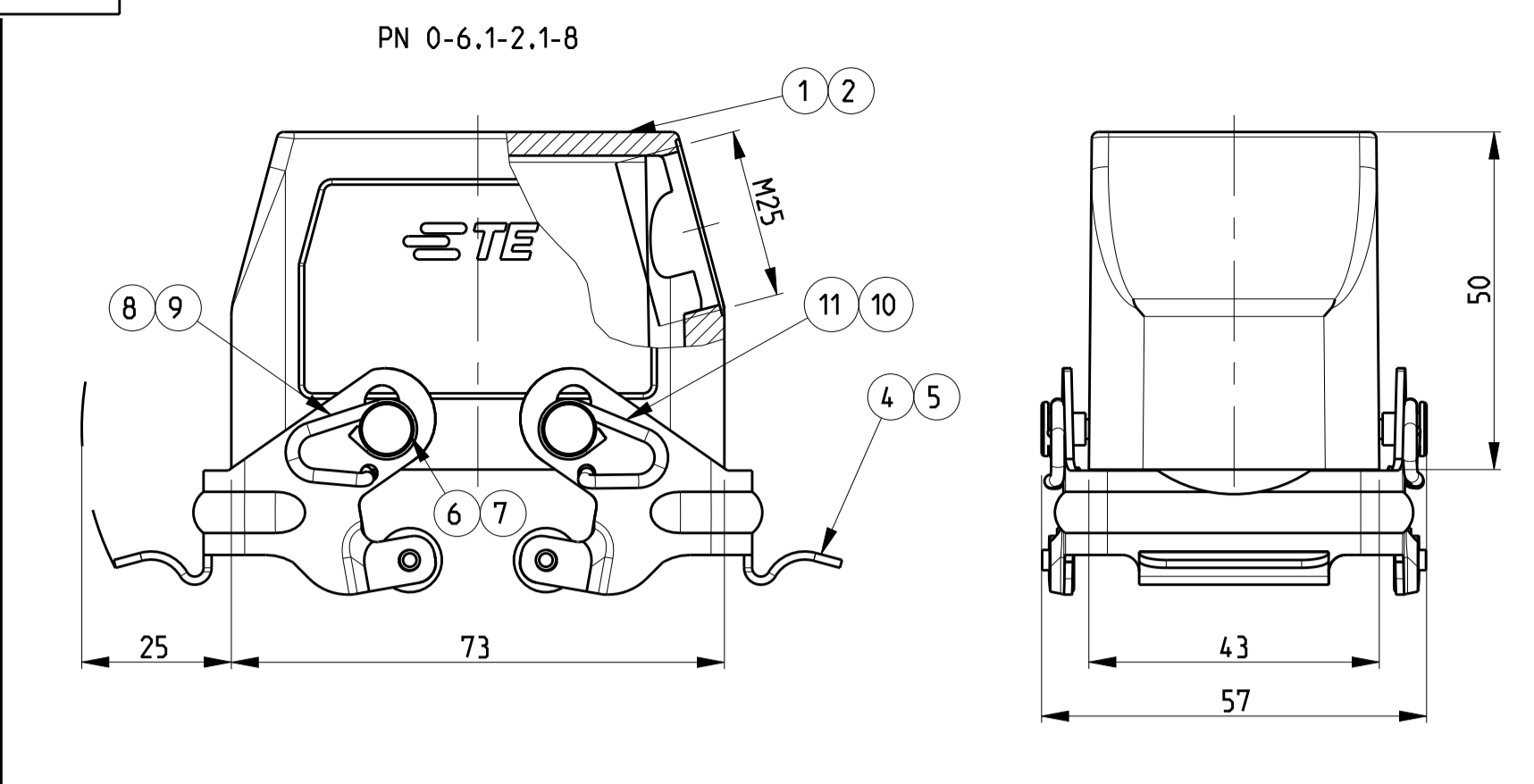
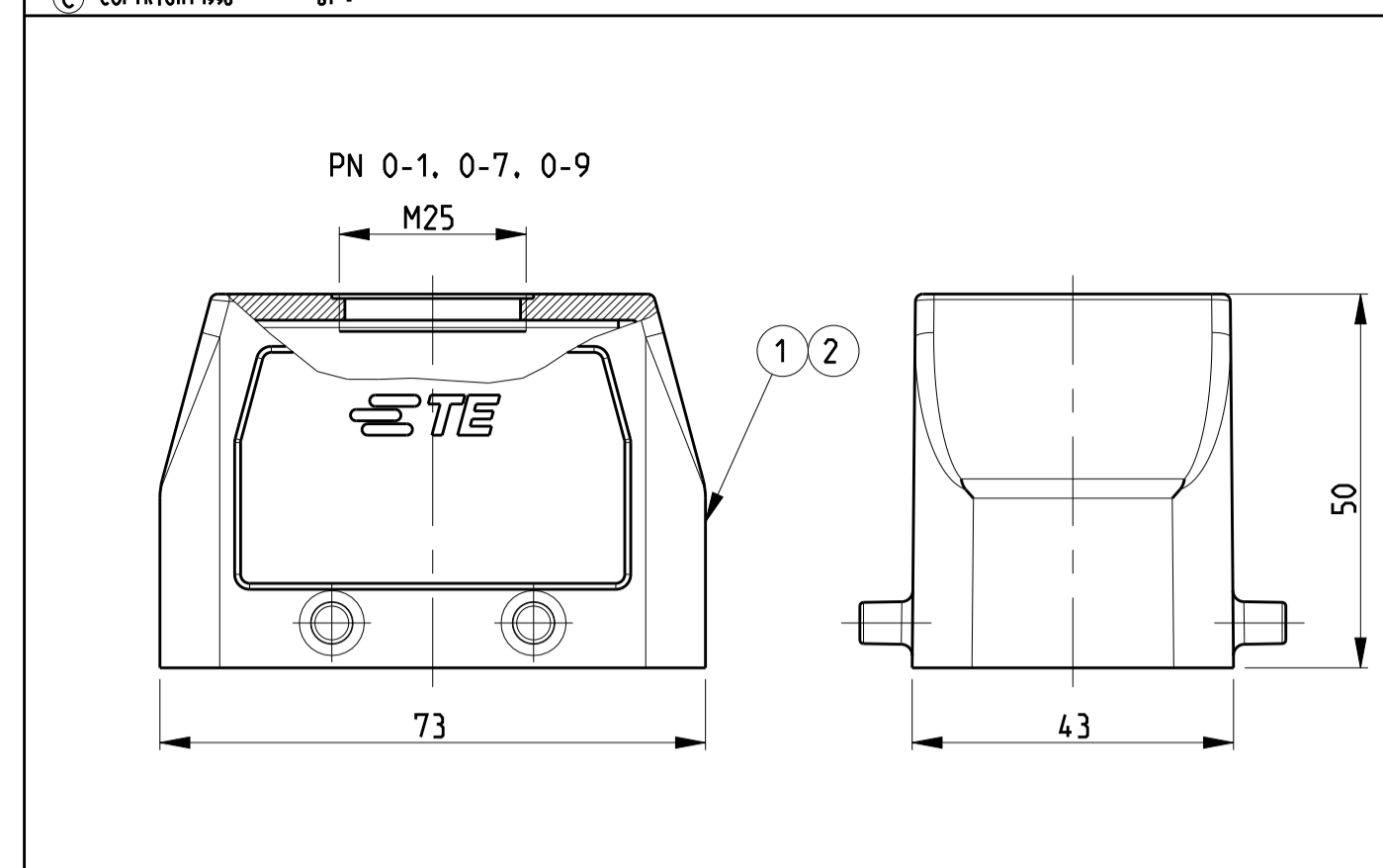


REVISIONS				
P.	LTR.	DESCRIPTION	DATE	DWN. APVD.
A24	ECR-10-016861		12AUG2010	GR GW
A25	ECR-16-016696		18SEP2017	GR MKO
A26	REVISED PER ECR-16-016780		30JAN2018	SG MKO
A27	ECR-17-014013		26MAR2018	SG MKO

- NOTES
- 1 MATERIAL:HOUSING ALUMINIUM DIECASTING ALLOY
 - 2 SURFACE-POWDER VARNISH GREY
-ALUMINIUM OXIDE
-VARNISH BLACK
 - 3 PACKAGING QUANTITY 5 PIECES IN A BOX
 - 4 VARNISH ON THE INSIDE NOT NECESSARY
 - 5 SPECIAL PACKAGING QUANTITY 50 PIECES IN A KANBAN BOX
 - 6 SPECIAL PACKAGING QUANTITY 130 PIECES IN A KANBAN BOX
 - 7 OBSOLETE PARTS: OBSOLETE CIS STREAMLINING PER D.RENAUD/D.SINISI



QTY	REF	DESCRIPTION	MATERIAL	SURFACE	COLOR	ITEM NO	NOTES
1	1	HB-EMV HOOD	ALUMINIUM	SEE NOTE	BLANC	21	
1	1	HB-EMV HOOD	ALUMINIUM	SEE NOTE	BLANC	20	
1	1	HB HOOD	ALUMINIUM		BLANK	19	
1	1	HB HOOD	ALUMINIUM		BLANK	18	
1	1	HB-EMV HOOD	ALUMINIUM	SEE NOTE	BLANK	17	
2	2	ZB-CLIP FIXING	STEEL	ZINC PLATED	BLUE	16	
2	2	ZB-SIDE CLIP	STEEL	ZINC PLATED	BLUE	15	
2	2	LB-SLIDE SPOOL	STEEL	ZINC PLATED	BLUE	14	
2	2	LB-CLIP BOLT	STAINLESS STEEL	BLANK	BLANK	13	
2	2	LB-CLIP BOLT	STEEL	ZINC PLATED	BLUE	12	
2	2	VS-CLIP SPRING RIGHT	STAINLESS STEEL	BLANK	BLANK	11	
2	2	VS-CLIP SPRING RIGHT	STEEL	ZINC PLATED	BLUE	10	
2	2	VS-CLIP SPRING LEFT	STAINLESS STEEL	BLANK	BLANK	9	
2	2	VS-CLIP SPRING LEFT	STEEL	ZINC PLATED	BLUE	8	
4	4	VS-CLIP FIXING	STAINLESS STEEL	BLANK	BLANK	7	
2	2	VS-CLIP FIXING	STEEL	ZINC PLATED	BLUE	6	
2	2	VS-SIDE CLIP	STAINLESS STEEL	BLANK	BLANK	5	
2	2	VS-SIDE CLIP	STEEL	ZINC PLATED	BLUE	4	
1	1	VS-CLIP BOLT	STAINLESS STEEL	BLANK	BLANK	3	
1	1	HB-K HOOD	ALUMINIUM	ALUMINIUM OXIDE	BLACK	2	
1	1	HB HOOD	ALUMINIUM		GREY	1	

THIS DRAWING IS A CONTROLLED DOCUMENT. DWN. SCHNEIDER 11.12.2002
 CHE SCHWEIGER 11.12.2002

DIMENSIONS: mm

TOLERANCES UNLESS OTHERWISE SPECIFIED:
 0 PLUM
 1 PLC
 2 PLD
 3 PLG
 4 PLH
 5 PLK
 6 PLM
 7 PLS
 8 PLE
 9 PLF
 10 PLG
 11 PLH
 12 PLK
 13 PLM
 14 PLS
 15 PLE
 16 PLF
 17 PLG
 18 PLH
 19 PLK
 20 PLM
 21 PLS
 22 PLE
 23 PLF
 24 PLG
 25 PLH
 26 PLK
 27 PLM
 28 PLS
 29 PLE
 30 PLF
 31 PLG
 32 PLH
 33 PLK
 34 PLM
 35 PLS
 36 PLE
 37 PLF
 38 PLG
 39 PLH
 40 PLK
 41 PLM
 42 PLS
 43 PLE
 44 PLF
 45 PLG
 46 PLH
 47 PLK
 48 PLM
 49 PLS
 50 PLE
 51 PLF
 52 PLG
 53 PLH
 54 PLK
 55 PLM
 56 PLS
 57 PLE
 58 PLF
 59 PLG
 60 PLH
 61 PLK
 62 PLM
 63 PLS
 64 PLE
 65 PLF
 66 PLG
 67 PLH
 68 PLK
 69 PLM
 70 PLS
 71 PLE
 72 PLF
 73 PLG
 74 PLH
 75 PLK
 76 PLM
 77 PLS
 78 PLE
 79 PLF
 80 PLG
 81 PLH
 82 PLK
 83 PLM
 84 PLS
 85 PLE
 86 PLF
 87 PLG
 88 PLH
 89 PLK
 90 PLM
 91 PLS
 92 PLE
 93 PLF
 94 PLG
 95 PLH
 96 PLK
 97 PLM
 98 PLS
 99 PLE
 100 PLF

MATERIAL FINISH

PRODUCT SPEC 108-740001/108-740003
 APPLICATION SPEC 114-740001/114-740004

WEIGHT -

CUSTOMER DRAWING

NAME HOOD HB.10 WITH M-THREAD

SIZE CAGE CODE DRAWING NO RESTRICTED TO
 A1 00779 C=1106430

SCALE 5:1 SHEET 1 OF 1

Mouser Electronics

Authorized Distributor

Click to View Pricing, Inventory, Delivery & Lifecycle Information:

[TE Connectivity:](#)

[2-1106430-4](#)