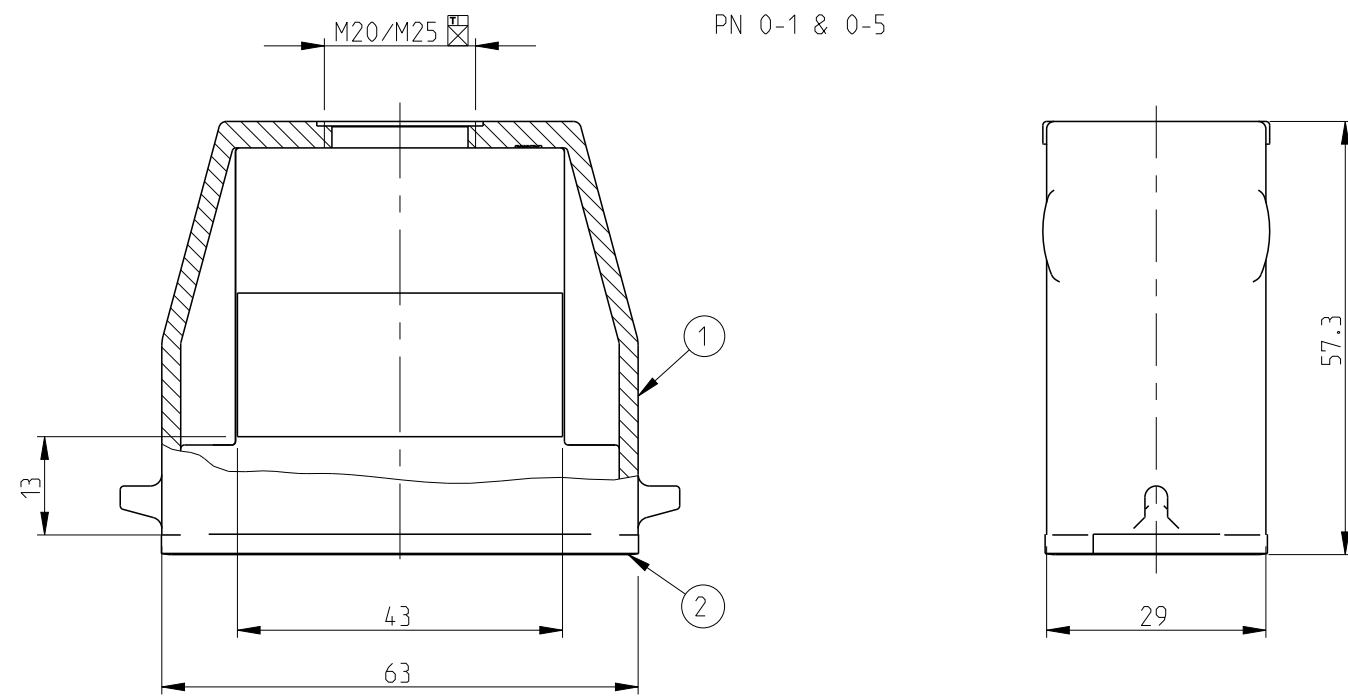
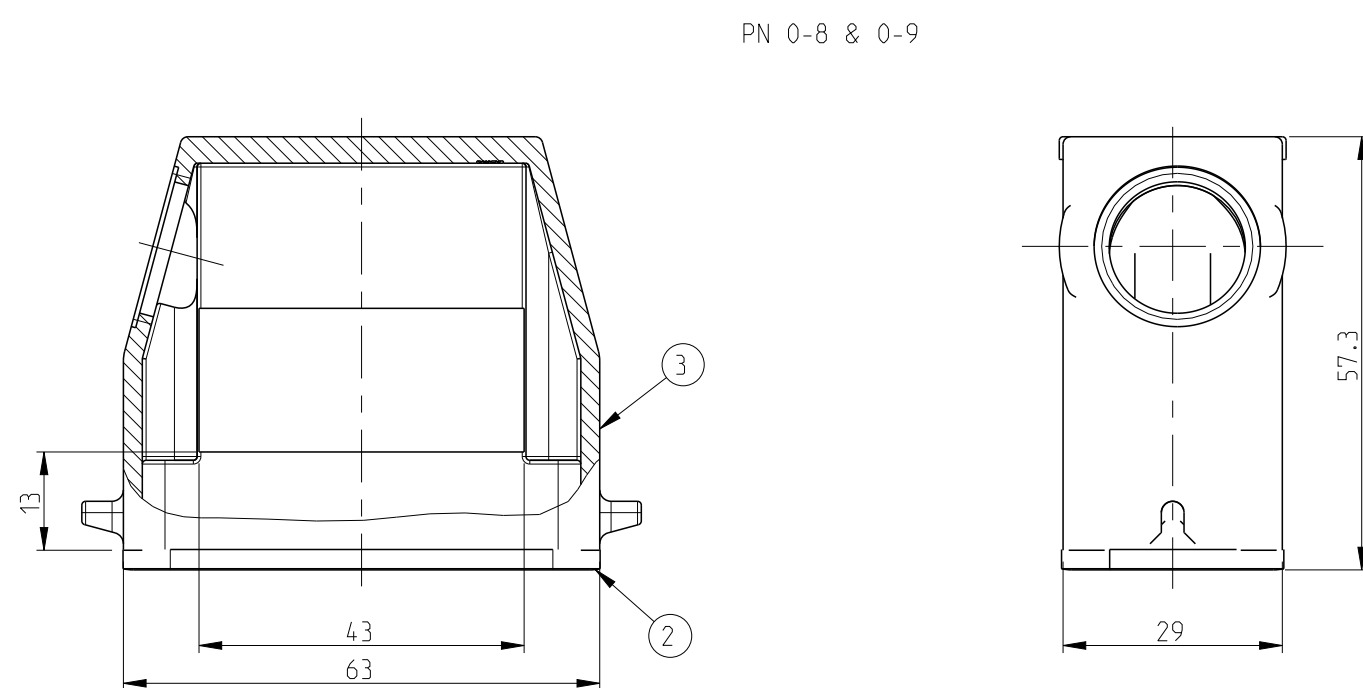
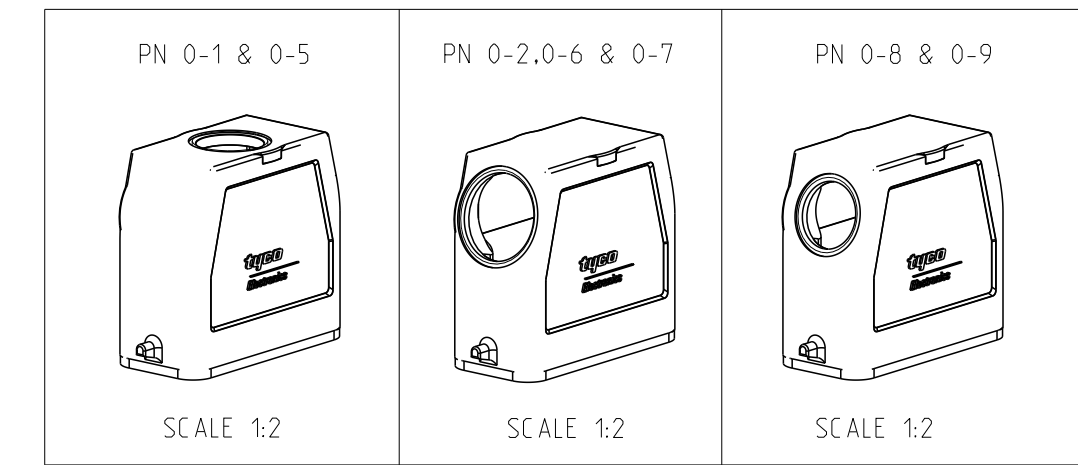
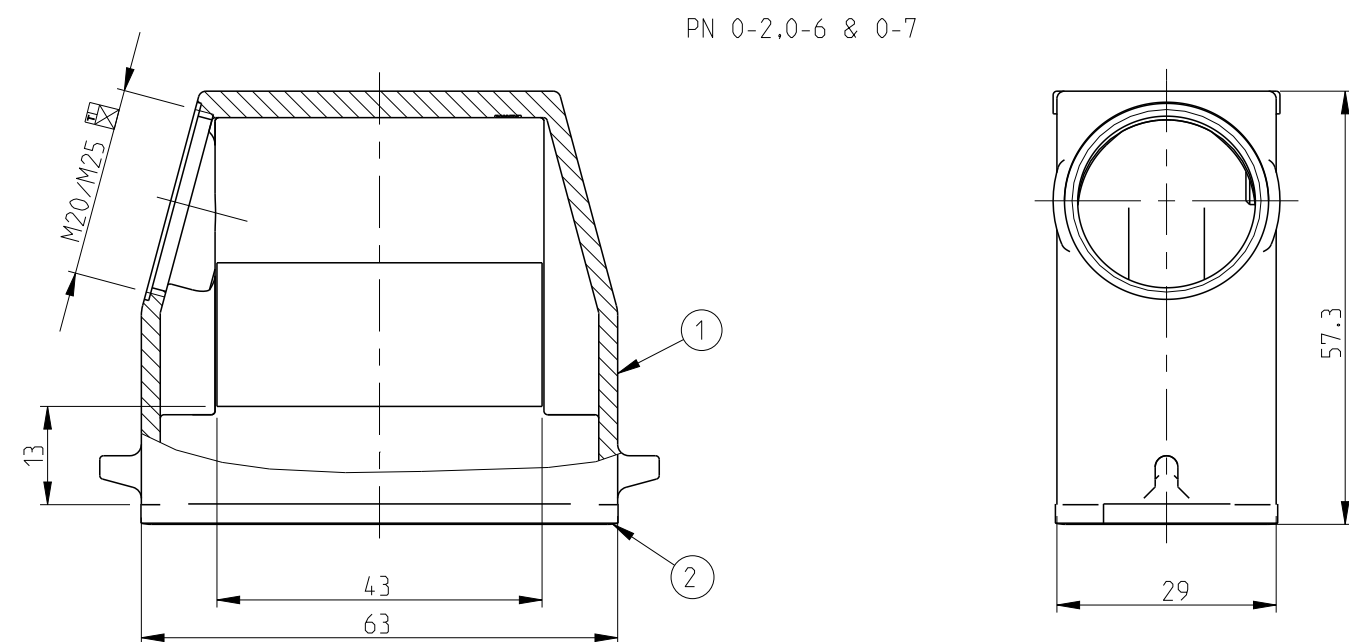


THIS DRAWING IS UNPUBLISHED. RELEASED FOR PUBLICATION .2000  
 © COPYRIGHT 2000 BY - ALL RIGHTS RESERVED.

REVISIONS					
P	LTR	DESCRIPTION	DATE	DWN	APVD
D2		Released as per ECR-08-019097	30Jul2008	SP	TS
D3		ECR-16-016696	15SEP2017	GA	MKO
D4		REVISED PER ECR-17-014013	12FEB2018	SRG	MKO



- NOTES.
- Material:Housing:Aluminium Diecasting Alloy  
Seals:Neoprene
  - Surface:Varnish grey
  - Varnish on the inside not necessary
  - Packaging  
Quantity 5 Pieces in a box
- ⚠ Special Packaging



QTY	DESCRIPTION	MATERIAL	SURFACE	COLOR	ITEM NO	REMARKS
1	Hood	Chromital TCP passivation	Black RAL 9005	3		
1	Profile seal	Neoprene	Black	2		
1	Hood	Aluminium	Grey RAL 7001	1		

ORDERING TEXT

HA.10.ST0.1.M20.G

HA.10.STS.1.M20.G

HA.10.STS.1.M20.G-KM

HA.10.ST0.1.M25.G

HA.10.STS.1.M25.G

HA-EMV.10.STS.1.M20.G

HA-EMV.10.STS.1.M25.G

THIS DRAWING IS A CONTROLLED DOCUMENT.

DWN: R.SRINIVAS 03.03.2006  
 CHK: R.SRINIVAS 03.03.2006  
 APVD: T.SCHNURPEIL 03.03.2006

**STE** TE Connectivity

NAME: Hood  
 HA.10.ST0/STS.1.M20.G

SIZE: A2 CAGE CODE: 00779 DRAWING NO: 1106411 RESTRICTED TO: 04

SCALE: 1:1 SHEET: 1 OF 1

CUSTOMER DRAWING

# Mouser Electronics

Authorized Distributor

Click to View Pricing, Inventory, Delivery & Lifecycle Information:

[TE Connectivity:](#)

[1106411-1](#)