

THIS DRAWING IS UNPUBLISHED.

RELEASED FOR PUBLICATION

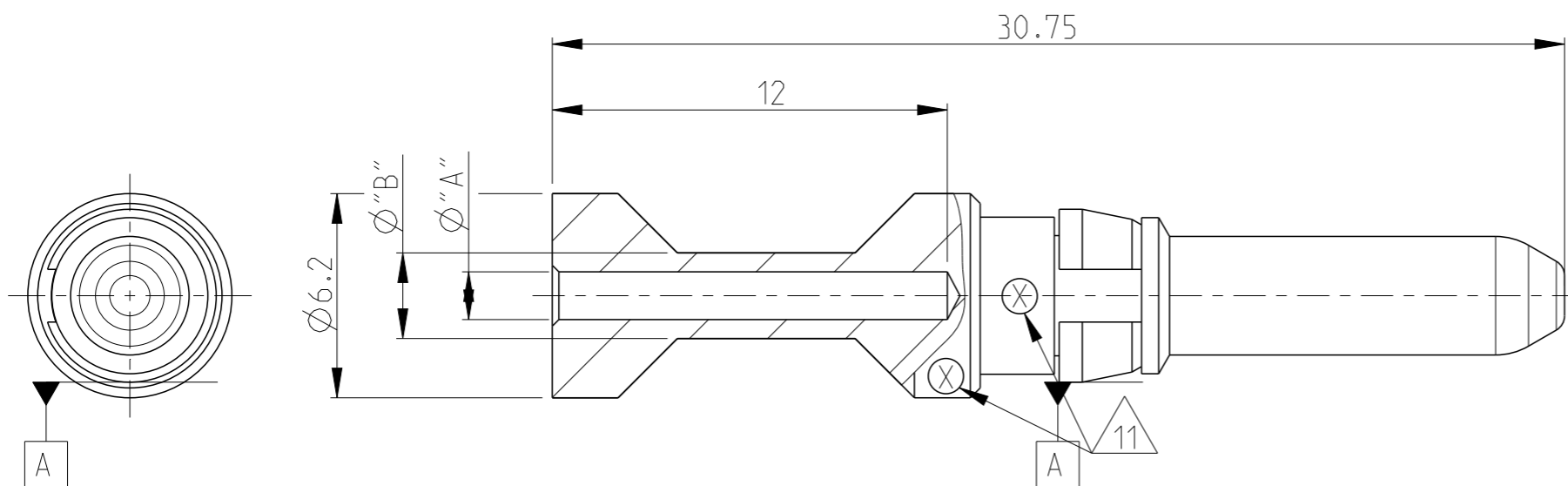
2006

© COPYRIGHT 2006 BY -

ALL RIGHTS RESERVED.

REVISIONS

P	LTR	DESCRIPTION	DATE	DWN	APVD
A2		PN3-2; 5-2; 6-2 OBSOLETE	Eg00-1426-03	17.04.03	SR SM
A3		ECR-09-005436		10MAR2010	VG MH
A4		ECR-16-016696		23AUG2017	GCM MKO



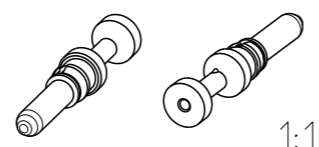
Notes

- 1 MATERIAL: BRASS
- 2 FINISH SILVER PLATING: 2 µm Ag MIN. OVER Cu
- 3 FINISH GOLD PLATING: 0.75 µm Au MIN. OVER Ni
- 4 NO VENTILATION HOLE REQUIRED AT CROSS-SECTION >4.0 MM²
- 5 WEIGHT: 3.33 g, VOLUME: 394mm³ (APPROX.)
- 6 SUITABLE SOCKET CONTACT: CUSTOMER DRAWING 1105251
- 7 SUITABLE INSERTS: SERIES HSM, CUSTOMER DRAWING
- 8 SUITABLE CRIMP TOOL: PN 1-1105850-8
- 9 SUITABLE INSERTION TOOL: PN 0-1102855-6
- 10 SUITABLE EXTRACTION TOOL: PN 0-1102855-4
- 11 CROSS-SECTION MARKING
- 12 STANDARDS: DIN EN 61984, DIN EN 60664-1

OBSOLETE	HSM.Sti.C.Au 10.0mm ²	GOLD 3	10	4.35	5.9	8	12
OBSOLETE	HSM.Sti.C.Au 6.0mm ²		6.0	3.5	4.9	7	12
OBSOLETE	HSM.Sti.C.Au 4.0mm ²		4.0	2.85	3.9	6	12
OBSOLETE	HSM.Sti.C.Au 2.5mm ²		2.5	2.2	3.2	5	12
OBSOLETE	HSM.Sti.C.Au 1.5mm ²		1.5	1.8	3.0	4	12
OBSOLETE	HSM.Sti.C.Au 0.75mm ²		0.75-1.0	1.45	2.6	3	12
	HSM.Sti.C.Ag 10.0mm ²		SILBER 2	10	4.35	5.9	8
	HSM.Sti.C.Ag 6.0mm ²	6.0		3.5	4.9	7	12
	HSM.Sti.C.Ag 4.0mm ²	4.0		2.85	3.9	6	12
	HSM.Sti.C.Ag 2.5mm ²	2.5		2.2	3.2	5	12
	HSM.Sti.C.Ag 1.5mm ²	1.5		1.8	3.0	4	12
	HSM.Sti.C.Ag 0.75mm ²	0.75-1.0		1.45	2.6	3	12
				[MM ²]	"A"	"B"	CROSS-SECTION MARKINGS
	ORDERING TEXT	PLATING	CROSS SECTION	DIMENSIONS		CROSS-SECTION MARKINGS	STRIPPING-LENGTH

PARTS LIST

THIS DRAWING IS A CONTROLLED DOCUMENT.		DWN V.GLUMM 10MAR2010	 TE Connectivity				
DIMENSIONS: mm		CHK H.BRAUN 10MAR2010					
TOLERANCES UNLESS OTHERWISE SPECIFIED:		APVD T.SCHNURPFIL 10MAR2010					
0 PLC ± 1 PLC ± 2 PLC ± 3 PLC ± 4 PLC ± ANGLES ±0.5°		NAME PIN CONTACT SERIES HSM					
MATERIAL 1		FINISH 2 3	PRODUCT SPEC	SIZE A3	CAGE CODE 00779	DRAWING NO C-1105250	RESTRICTED TO -
CUSTOMER DRAWING		SCALE 5:1	SHEET 1 OF 1		REV A4		



Mouser Electronics

Authorized Distributor

Click to View Pricing, Inventory, Delivery & Lifecycle Information:

[TE Connectivity:](#)

[3-1105250-1](#)