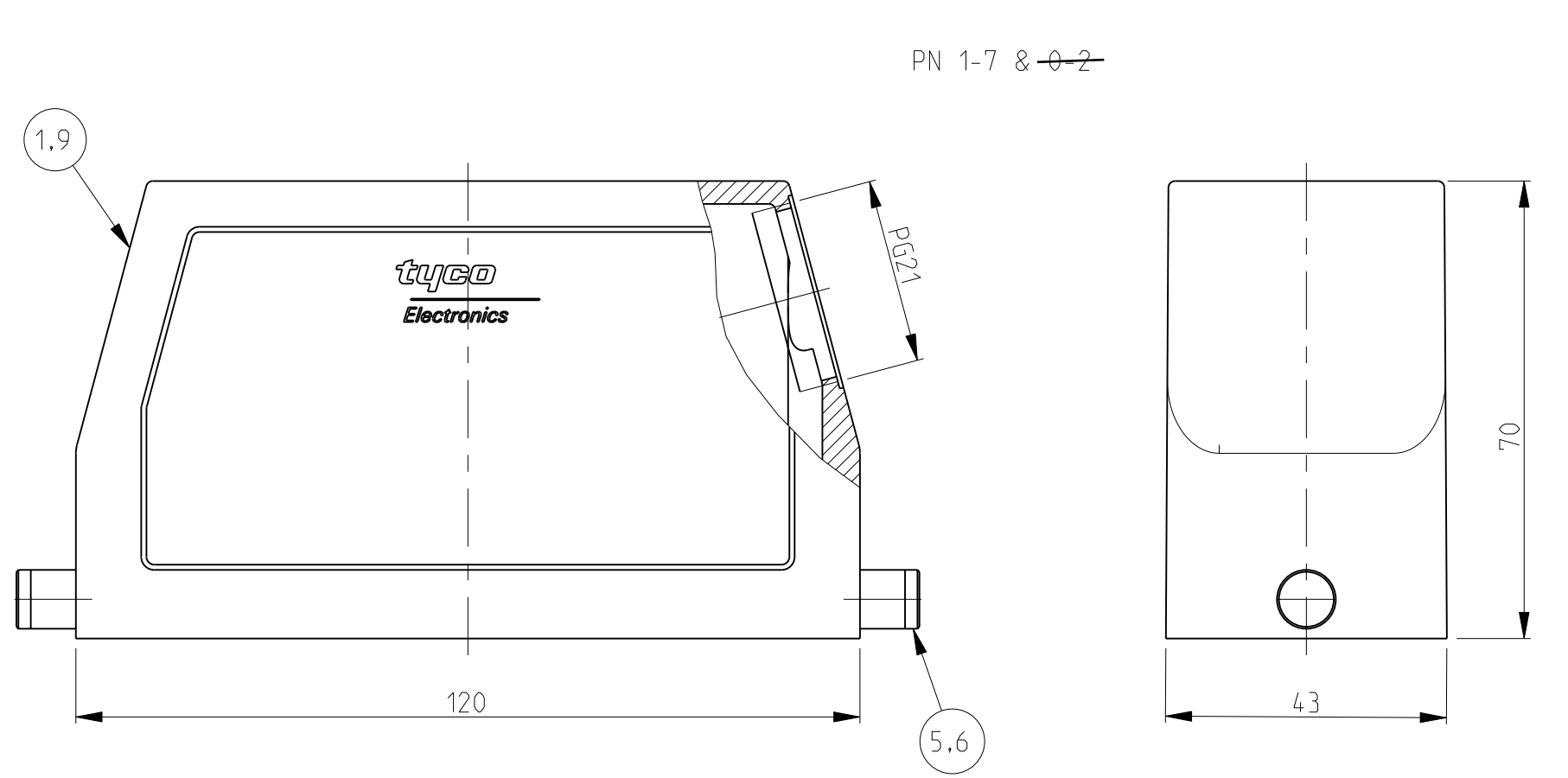
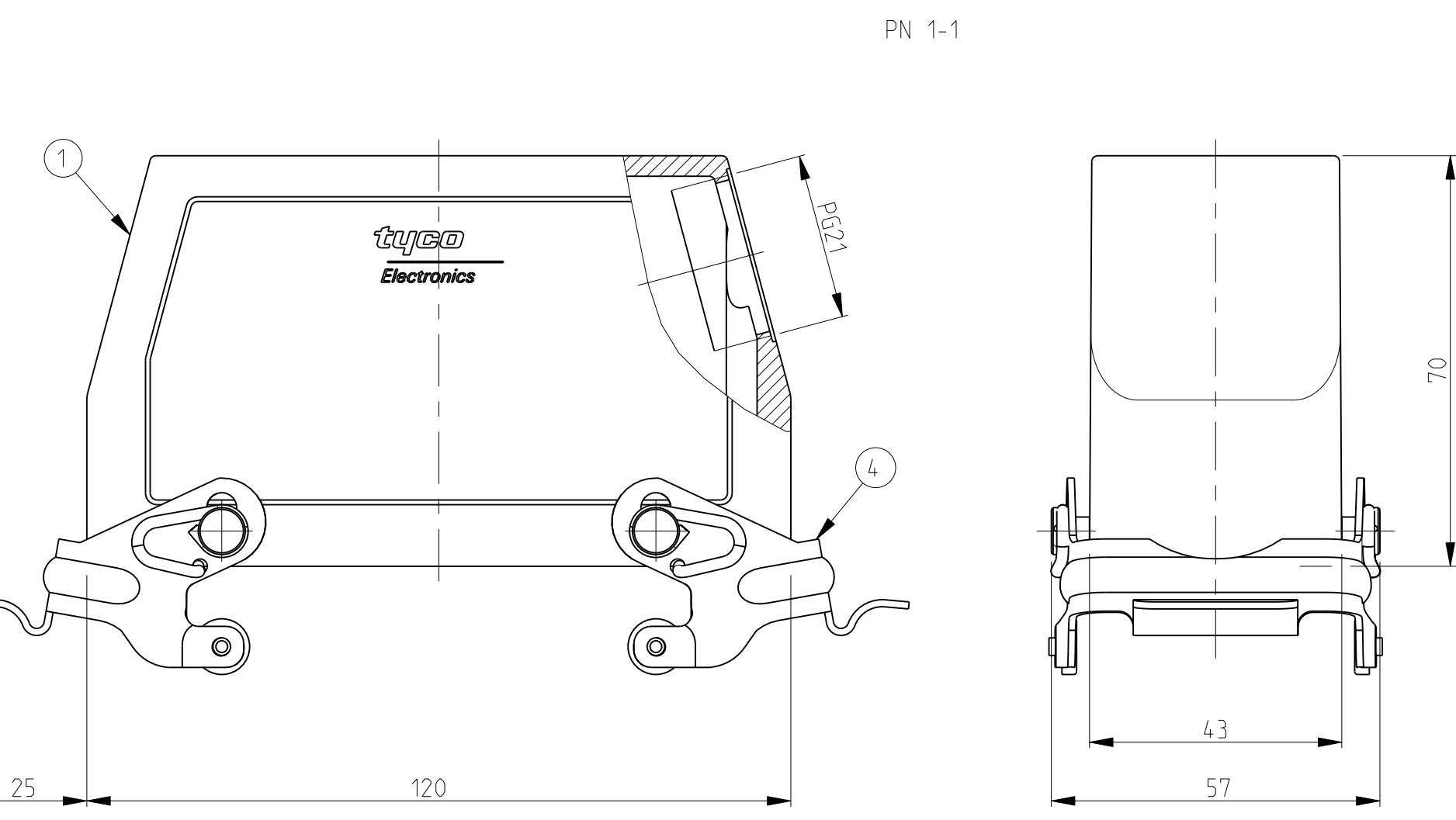
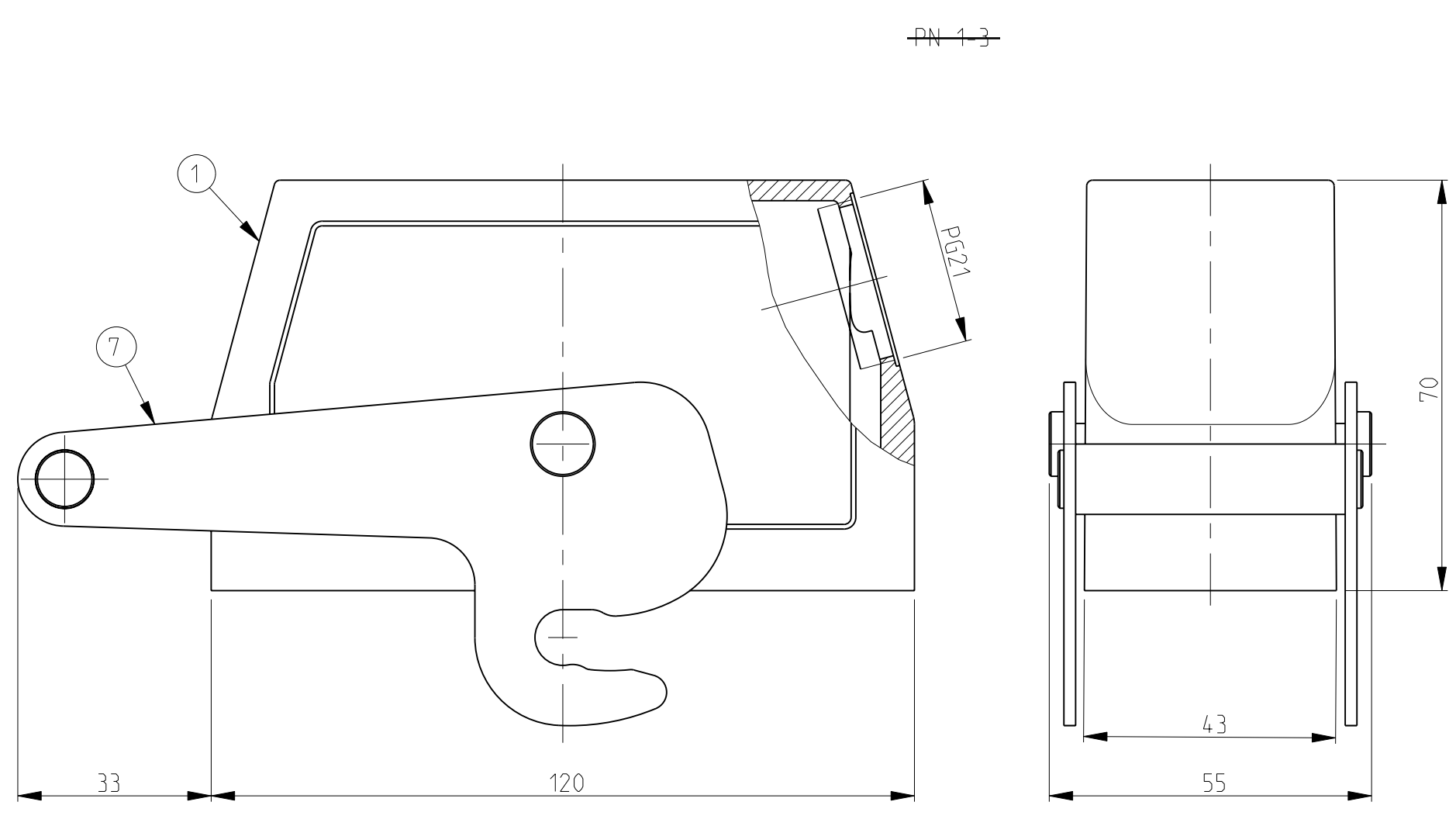
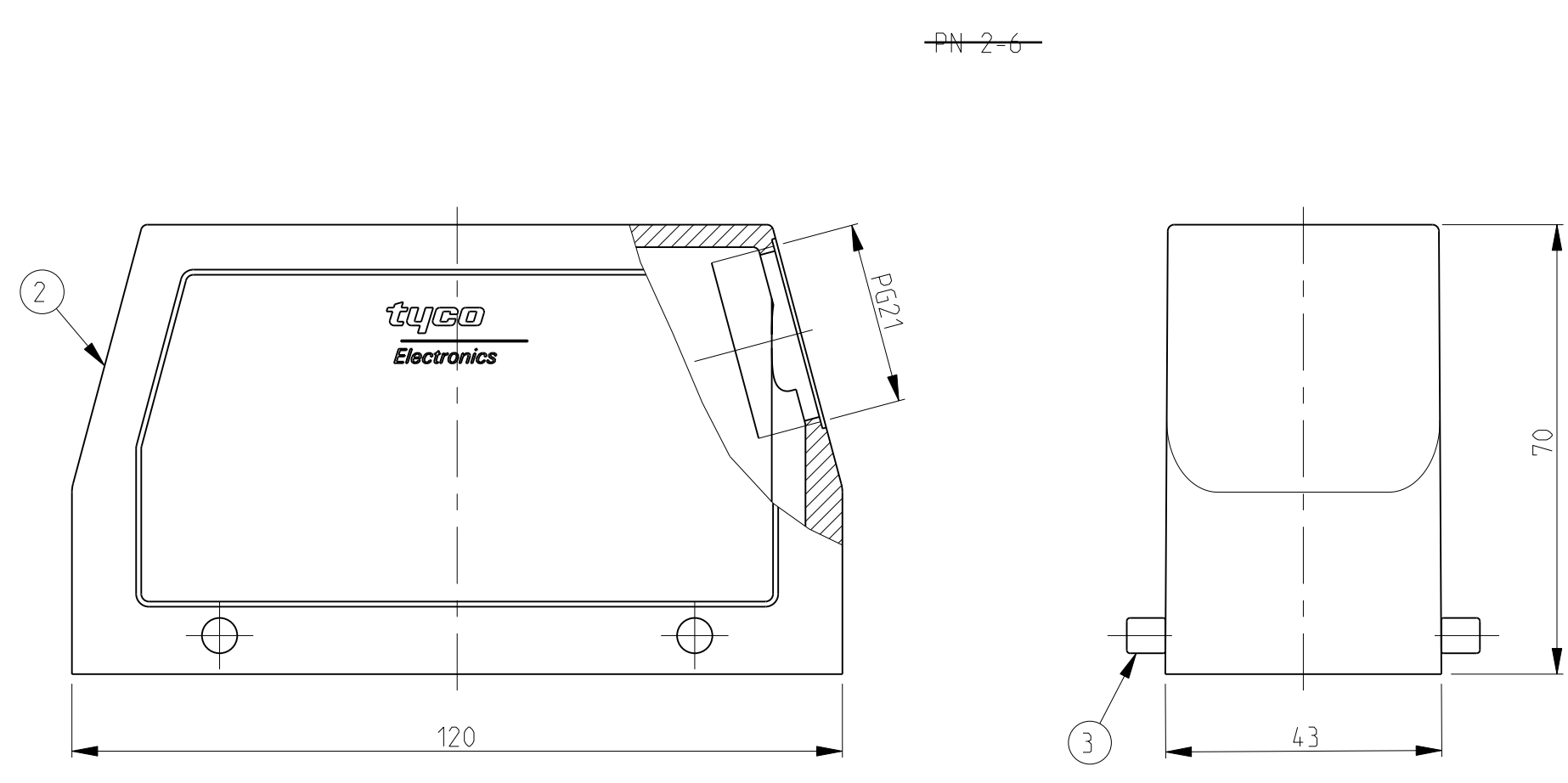
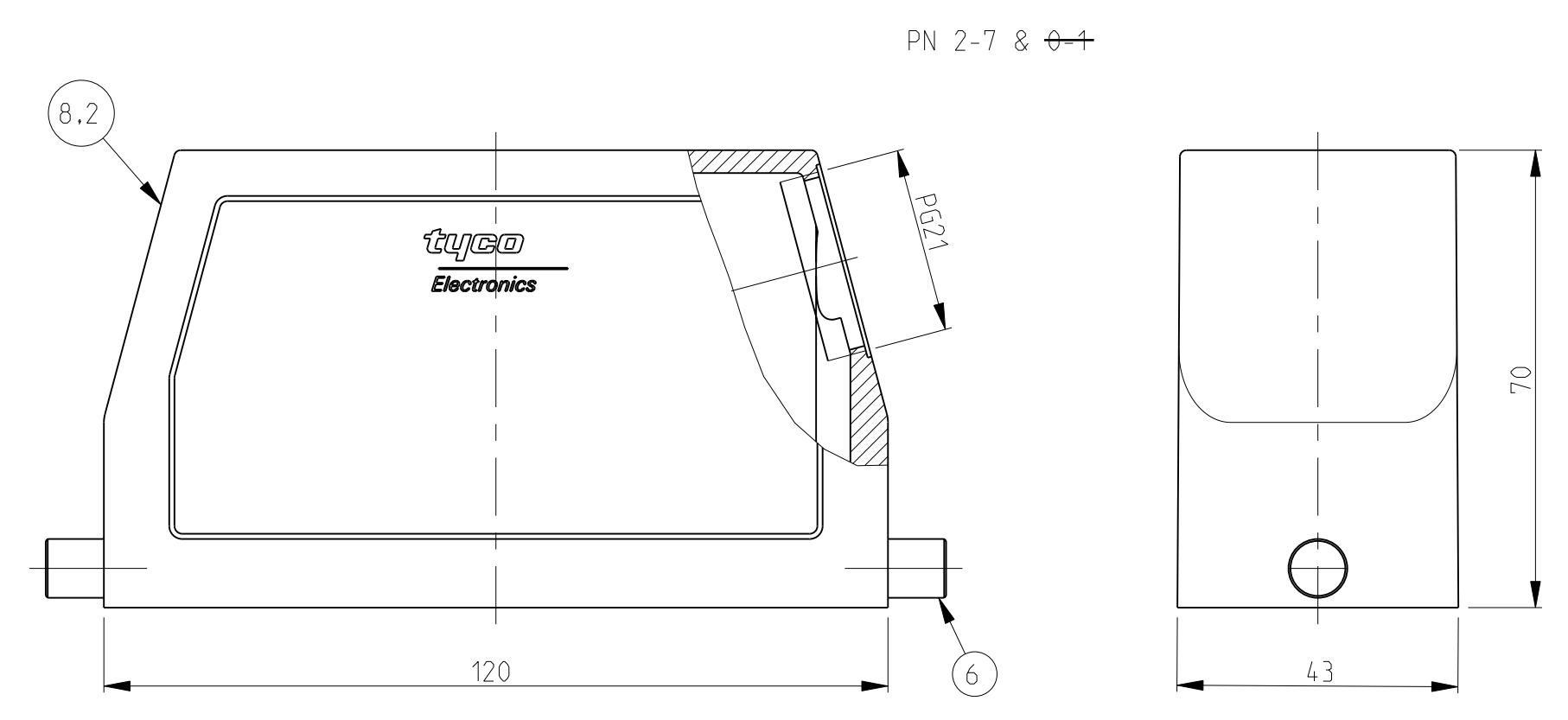
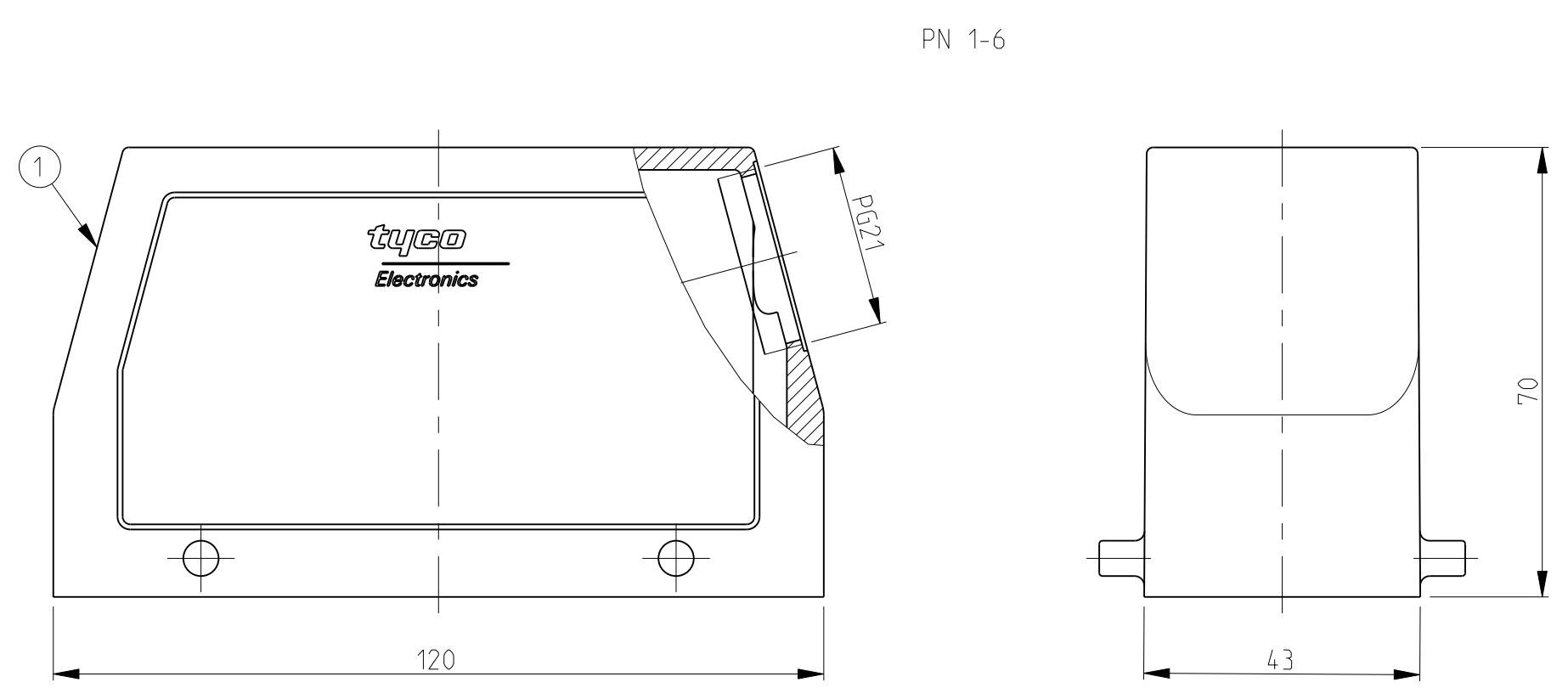
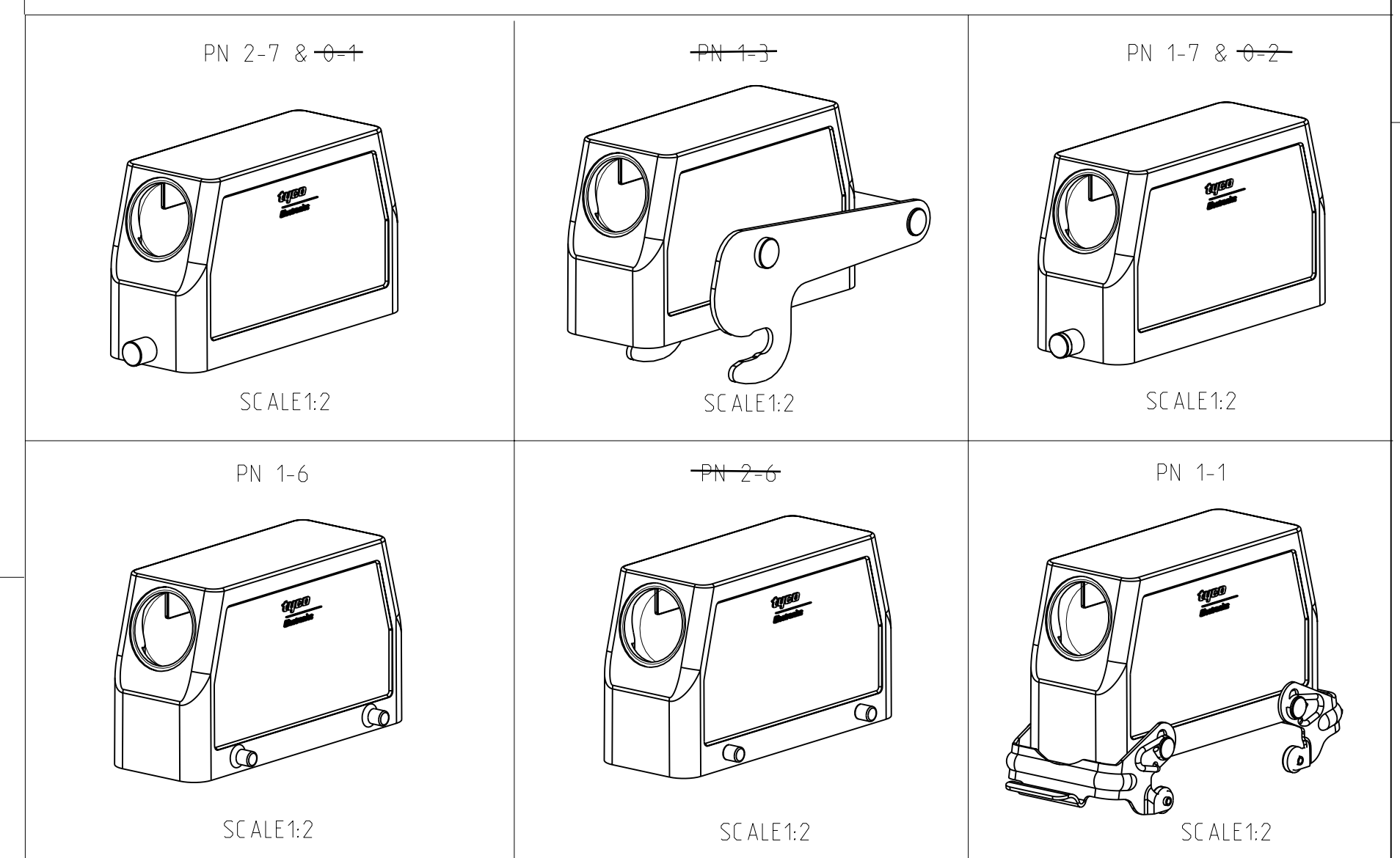


REV. NO.		DESCRIPTION	DATE	DWN	APVD
A1	-	Released as per ECR-07-019955	22.08.07	SK	TS
A4	-	REVISED PER ECR-16-016768	24JAN2018	SRG	MKO
A5	-	ECR-17-013084	29MAR18	SG	MKO



- NOTES.
- 1 Material:Housing:Aluminium Diecasting Alloy
 - 2 Surface:Varnish grey
-Aluminium oxide-
Varnish black
 - 3 Varnish on the inside not necessary
 - 4 Packaging
Quantity 5 Pieces in a box
- 5 OBSOLETE**



QTY	DESCRIPTION	MATERIAL	SURFACE	COLOR	ITEM NO	REMARKS
1	Hood HB	Aluminium	-	Grey	9	Neutral
1	Hood HB-K	Aluminium	Aluminium oxide	Aluminium-colored	8	Special lacquer finish
1	ZB-Central clip	Steel	Zinc plated	Blue	7	
2	LB-Clip bolt	Stainless steel	Blank	-	6	
2	LB-Clip bolt	Steel	Zinc plated	Blue	5	
2	VS-Side clip	Steel	Zinc plated	Blue	4	
4	VS-Clip bolt	Stainless steel	Blank	-	3	
1	HB-K Hood	Aluminium	Aluminium oxide	Black	2	
1	HB Hood	Aluminium	-	Grey	1	

ORDERING TEXT

HB.24.STS.1.21.G
 HB-K.24.STS.1.21.G
 HB.24.STS-VS.1.21.G
 HB.24.STS-GR.1.21.G
 HB-K.24.STS-GR.1.21.G
 HB-Z.24.STS-ZB.1.21.G
 HB-K.24.STS-GR.1.21.G
 HB.24.STS-GR.1.21.G

DATE: 05.06.00
 DWN: Schneider
 CHK: Schweiger
 APVD: -

NAME: Hood
 HB.24.STS.1.21.G

PRODUCT SPEC: 108-74001
 108-74003
 APPLICATION SPEC: 114-74001
 114-74004

SCALE: 1:1
 SHEET: 1 OF 1
 REV: A5

Mouser Electronics

Authorized Distributor

Click to View Pricing, Inventory, Delivery & Lifecycle Information:

[TE Connectivity:](#)

[1-1102316-1](#)