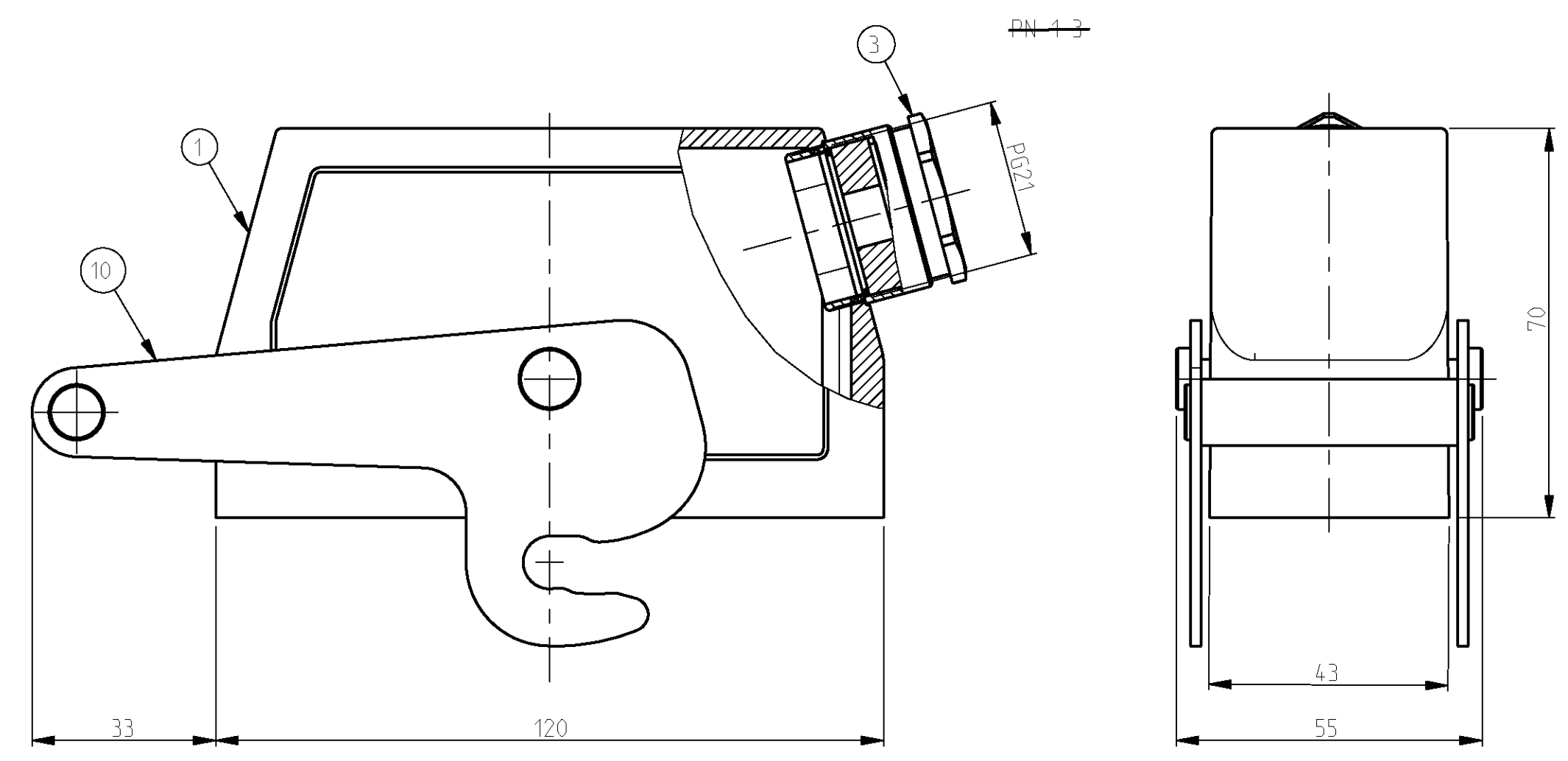
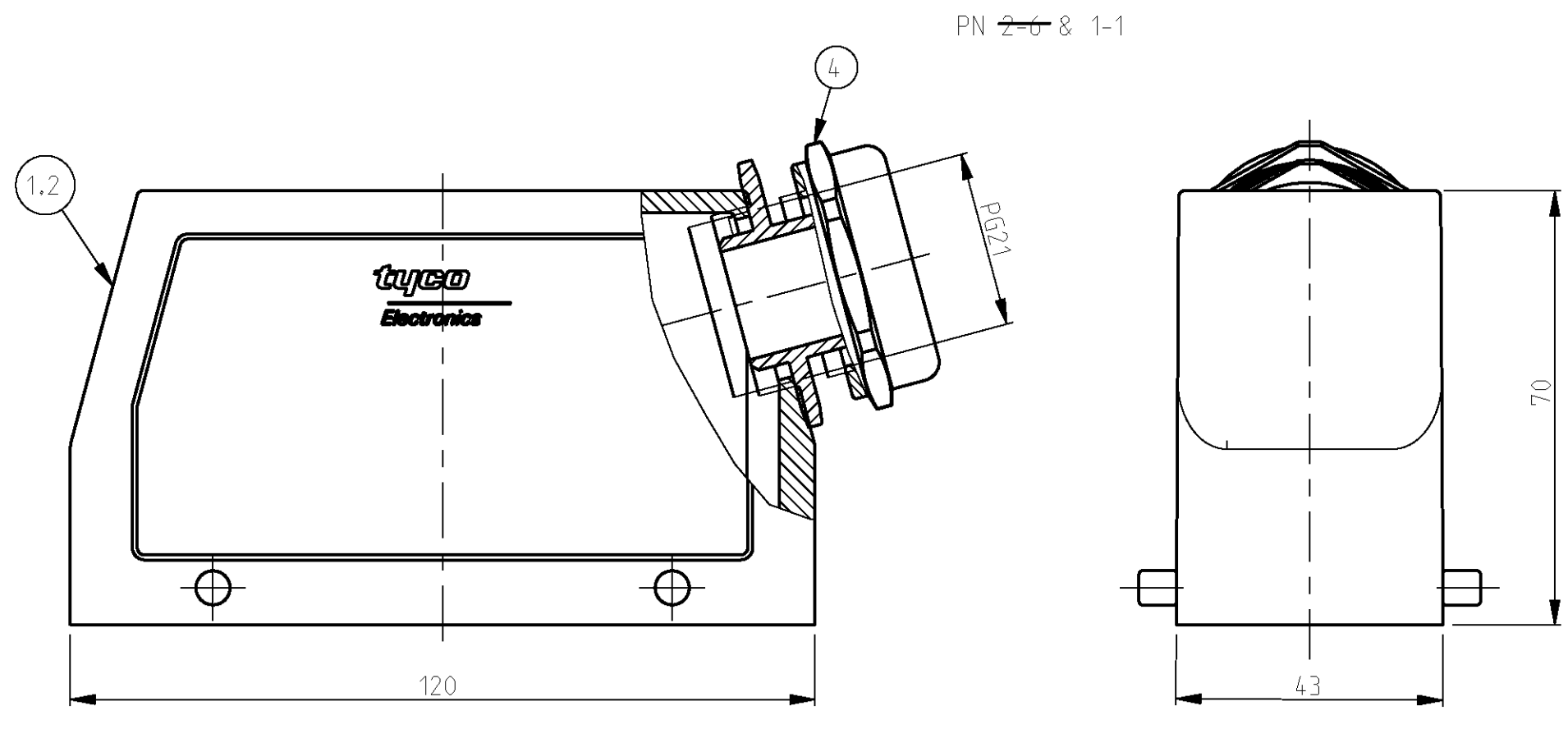
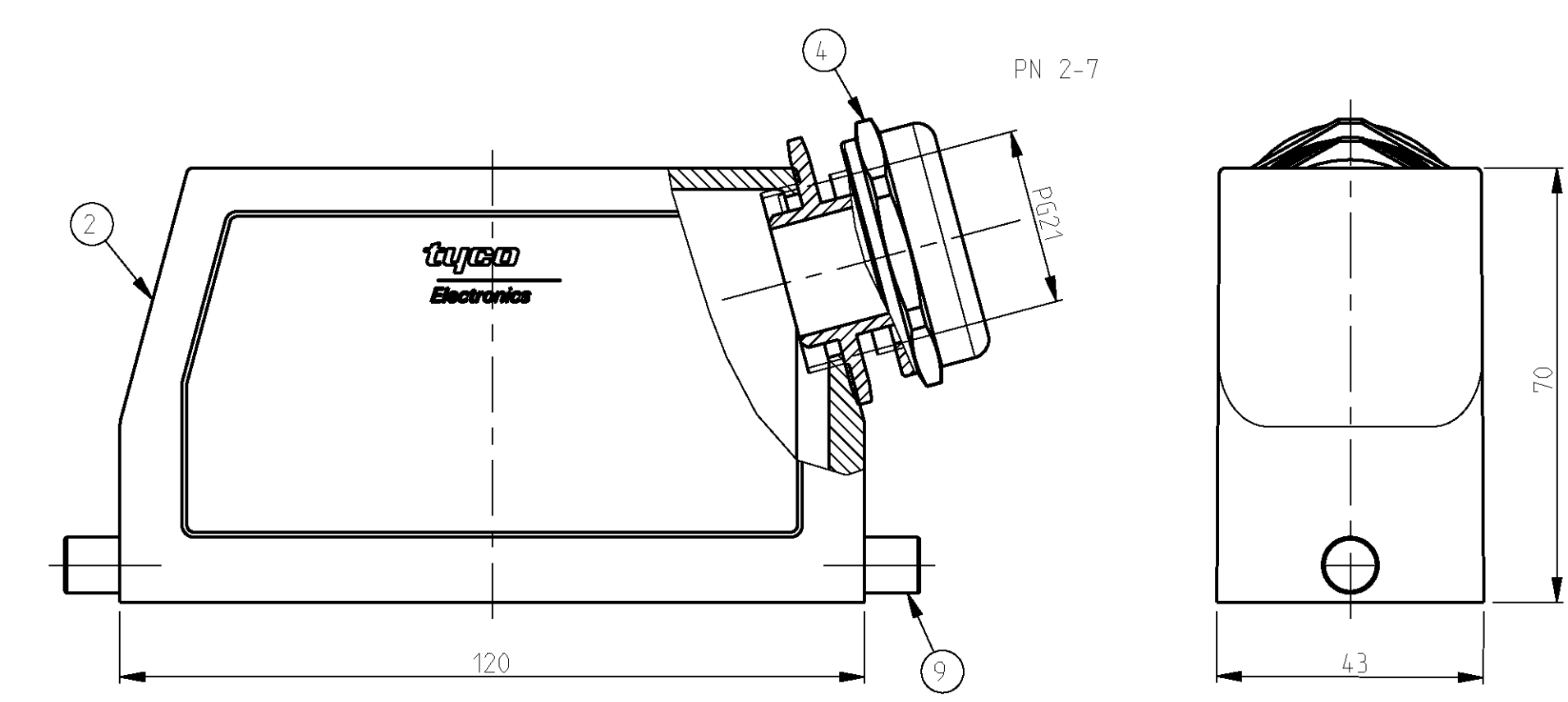
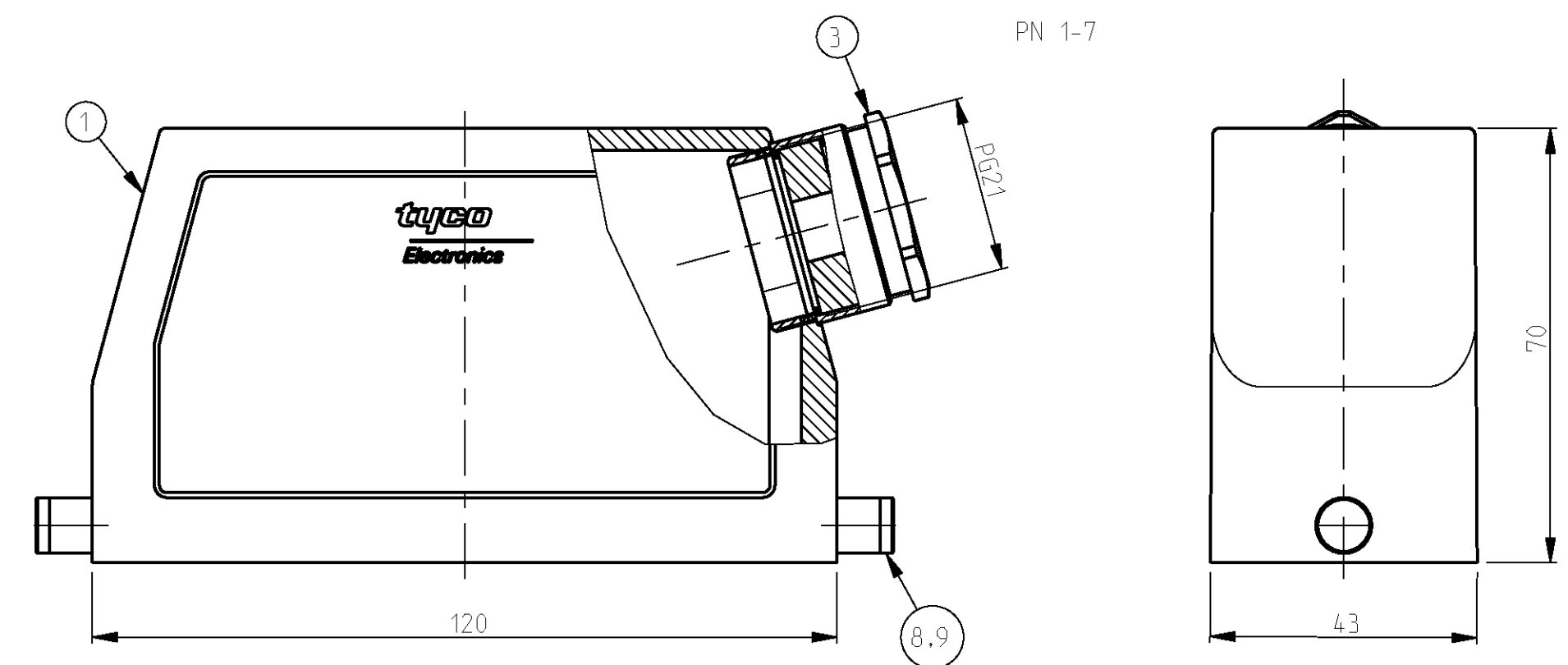
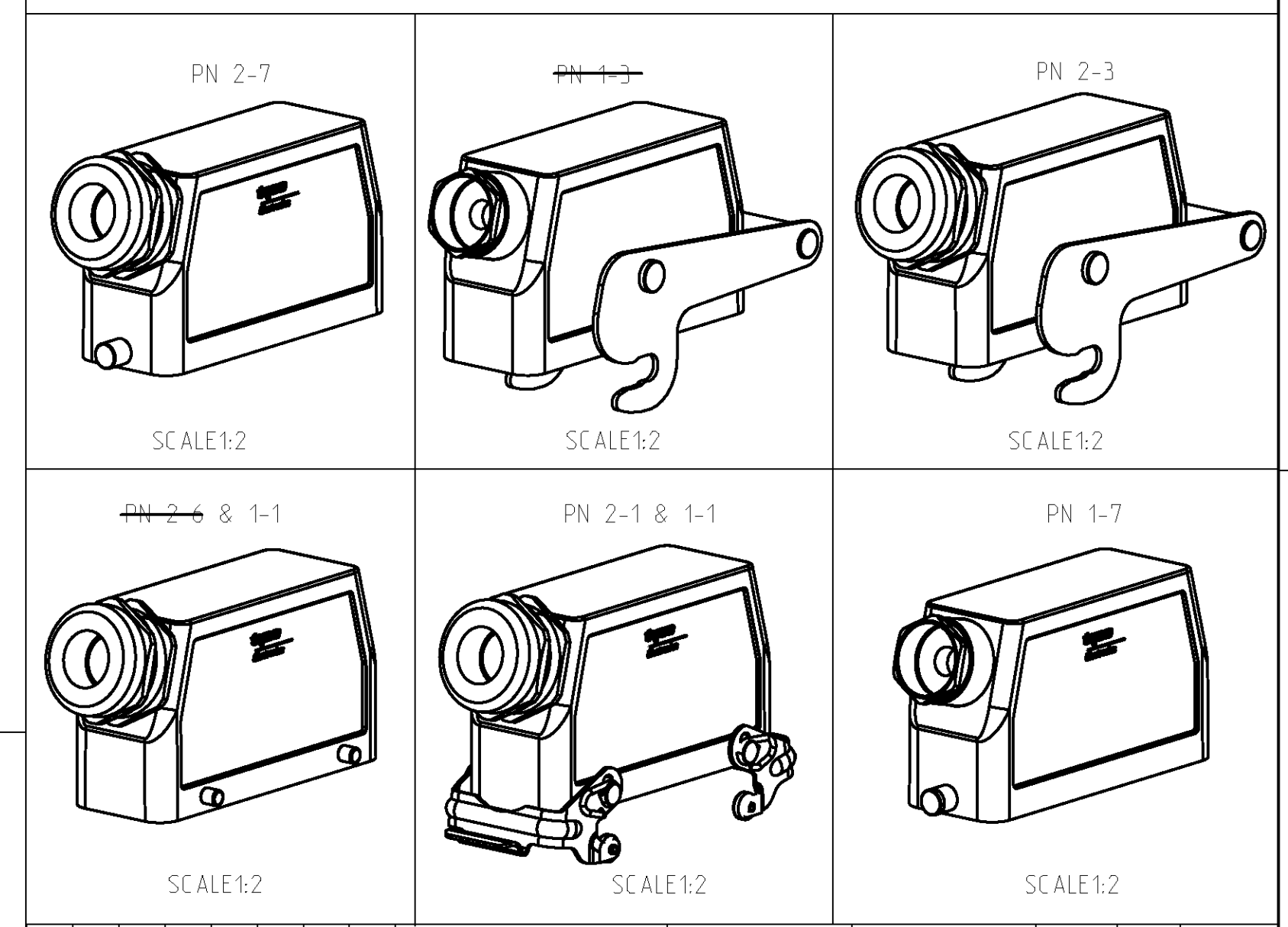
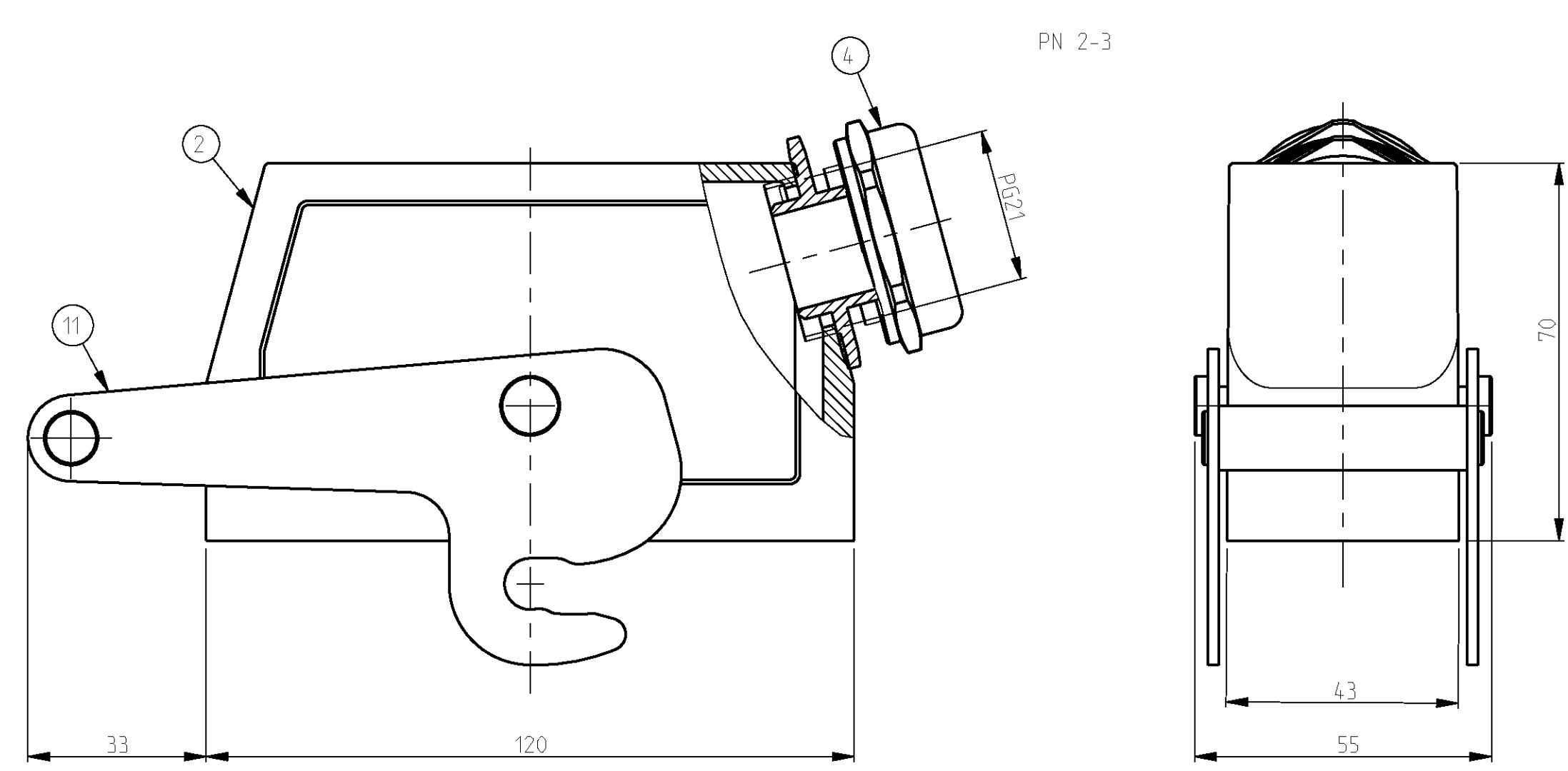
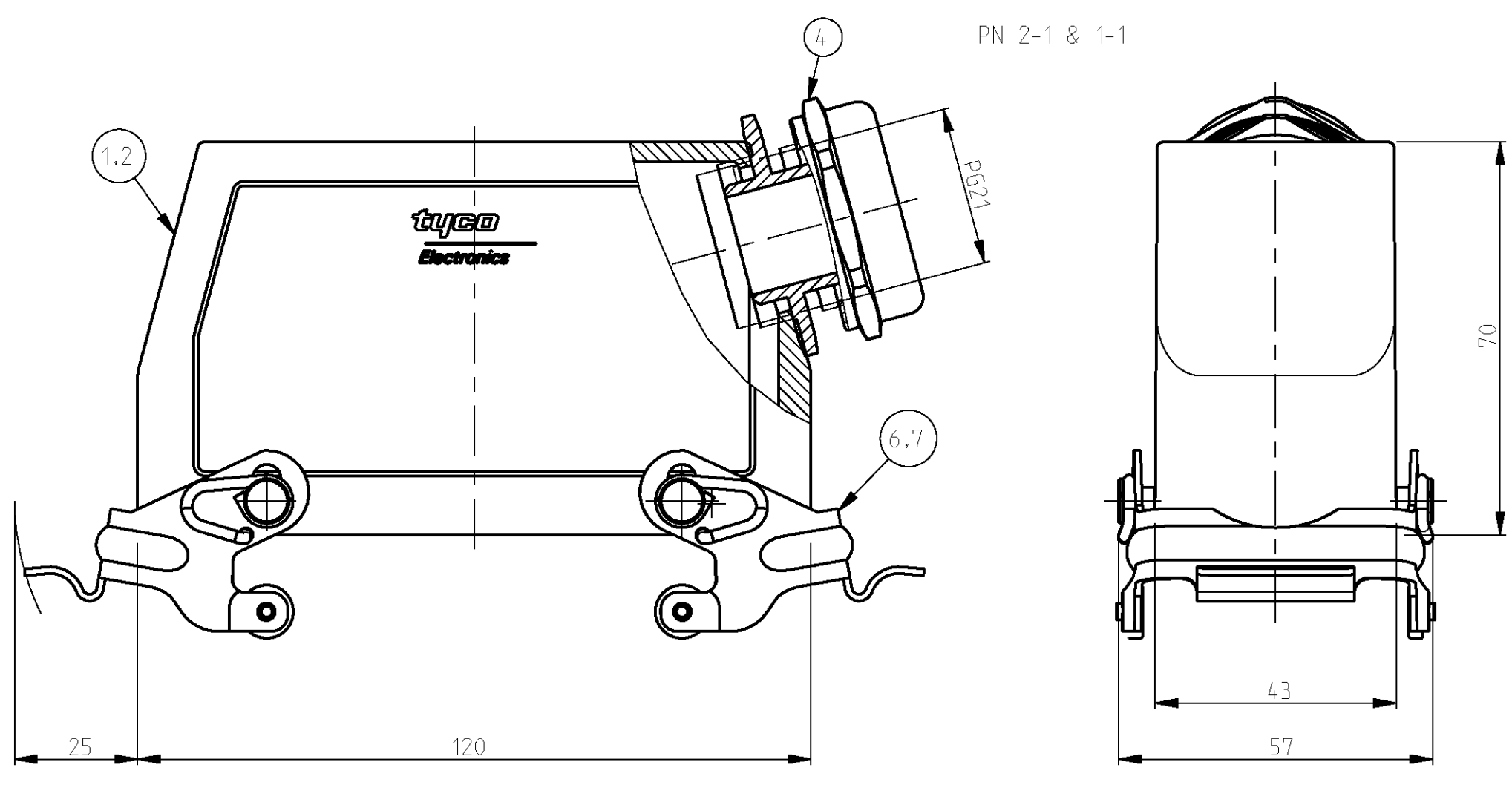


REVISONS		DATE	DWN	APVD
P	LYR	DESCRIPTION		
B2		Released as per ECR-07-019955	22.08.07	SK TS
B3		REVISED PER ECO-09-027197	21JAN10	KK HMR



- NOTES:
- Material:Housing:Aluminium Diecasting Alloy
 - Surface:Varnish grey
 - Varnish on the inside not necessary
 - Packaging
Quantity 5 Pieces in a box
- OBSELETE PARTS: OBSELETE CIS STREAMLINING PER D.RENAUD/D.SINISI**



QTY	REF	DESCRIPTION	MATERIAL	SURFACE	COLOR	TEM NO	REMARKS						
1		ZB-Central clip	Stainless steel	-		11							
	2	ZB-Central clip	Steel	Zinc plated	Blue	10							
		VS-Clip bolt	Stainless steel	-		9							
	2	VS-Clip bolt	Steel	Zinc plated	Blue	8							
		VS-Locking clip	Stainless steel	-		7							
	2	VS-Locking clip	Steel	Zinc plated	Blue	6							
		VS-Locking clip bolt	Stainless steel	-		5							
1	1	Cable connection round	Brass	Nickel plated		4							
	1	Pg-Gland fitting pg21	Brass	Nickel plated		3							
1	1	Hood HB.24.Pg.1.21	Aluminium	Aluminiumoxide	Black	2							
	1	Hood HB.24.Pg.1.21	Aluminium	-	Grey	1							
2-3	1-3	2-7	1-7	2-1	1-1	2-6	1-6	DESCRIPTION	MATERIAL	SURFACE	COLOR	TEM NO	REMARKS
								DESCRIPTION					
								HB.24.Sts-1.21					
								HB-K.24.Sts-1.21					
								HB.24.Sts-VS-1.21					
								HB-K.Sts-VS-1.21					
								HB.24.Sts-GR.1.21					
								HB-K.24.Sts-GR.1.21					
								HB-Z.24.Sts-ZB.1.21					
								HB-K/Z.24.Sts-ZB.1.21					

DIMENSIONS: mm		TOLERANCES UNLESS OTHERWISE SPECIFIED: mm		DWN: Schweiger 17.07.1997 CHK: Schnurfeil 17.07.1997		Tyco Electronics Tyco Electronics AMP GmbH 0-53819, Neunkirchen, Germany	
MATERIAL:		FINISH:		PRODUCT SPEC: HB-24003 APPLICATION SPEC: 116-74001 WEIGHT: 116-74004		NAME: Hood HB.24 SIZE: A1 CAGE CODE: 00779 DRAWING NO: C-1102314	
CUSTOMER DRAWING				SCALE: 1:1		SHEET: 1 OF 1 REV: B3	

Mouser Electronics

Authorized Distributor

Click to View Pricing, Inventory, Delivery & Lifecycle Information:

[TE Connectivity:](#)

[2-1102314-1](#)