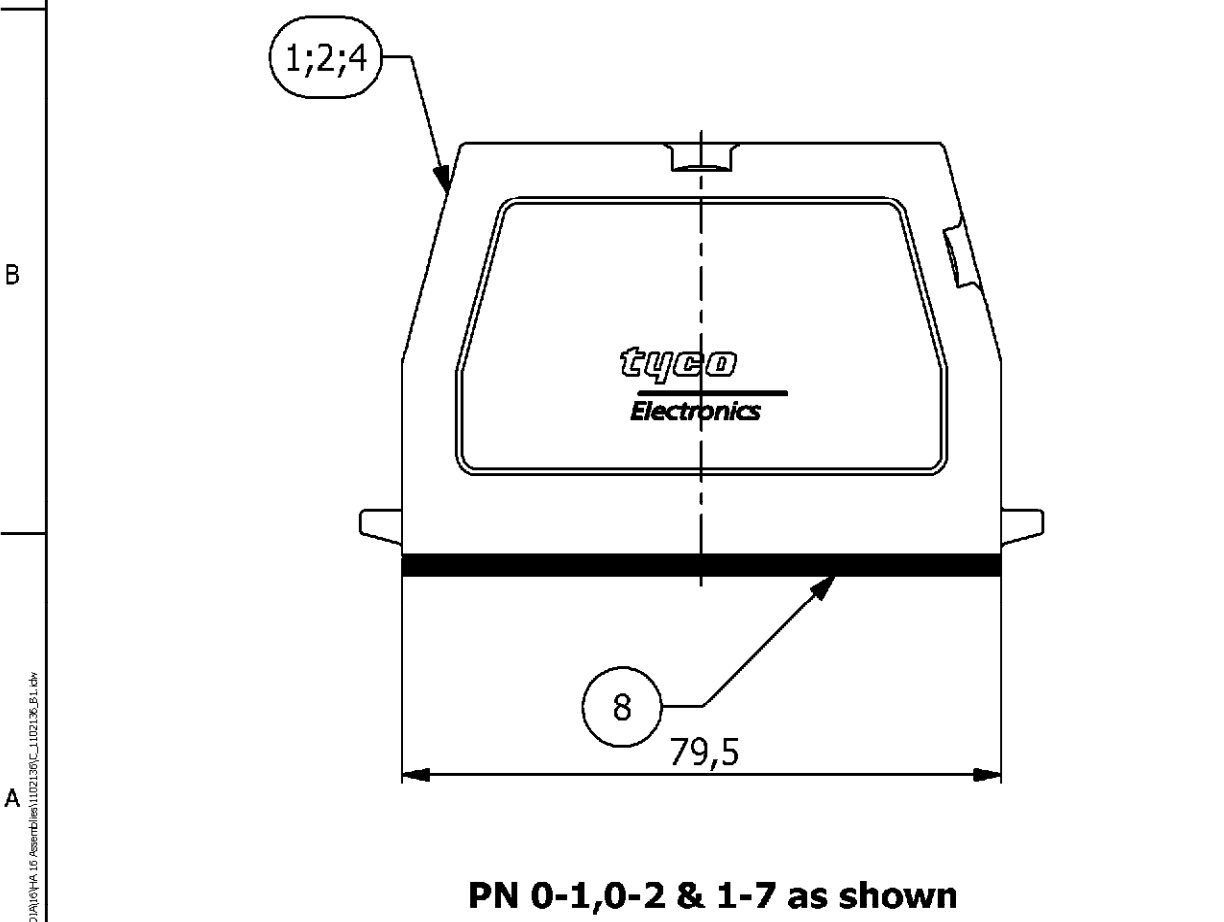
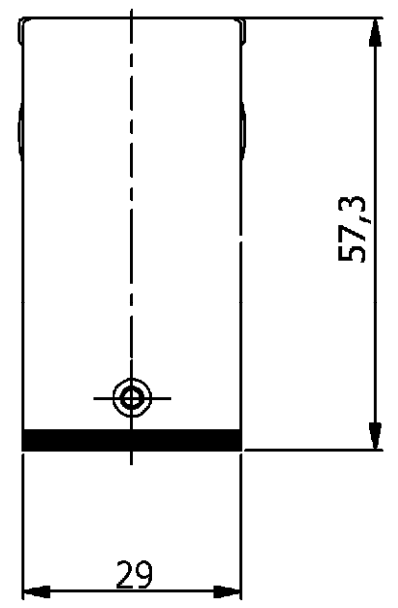
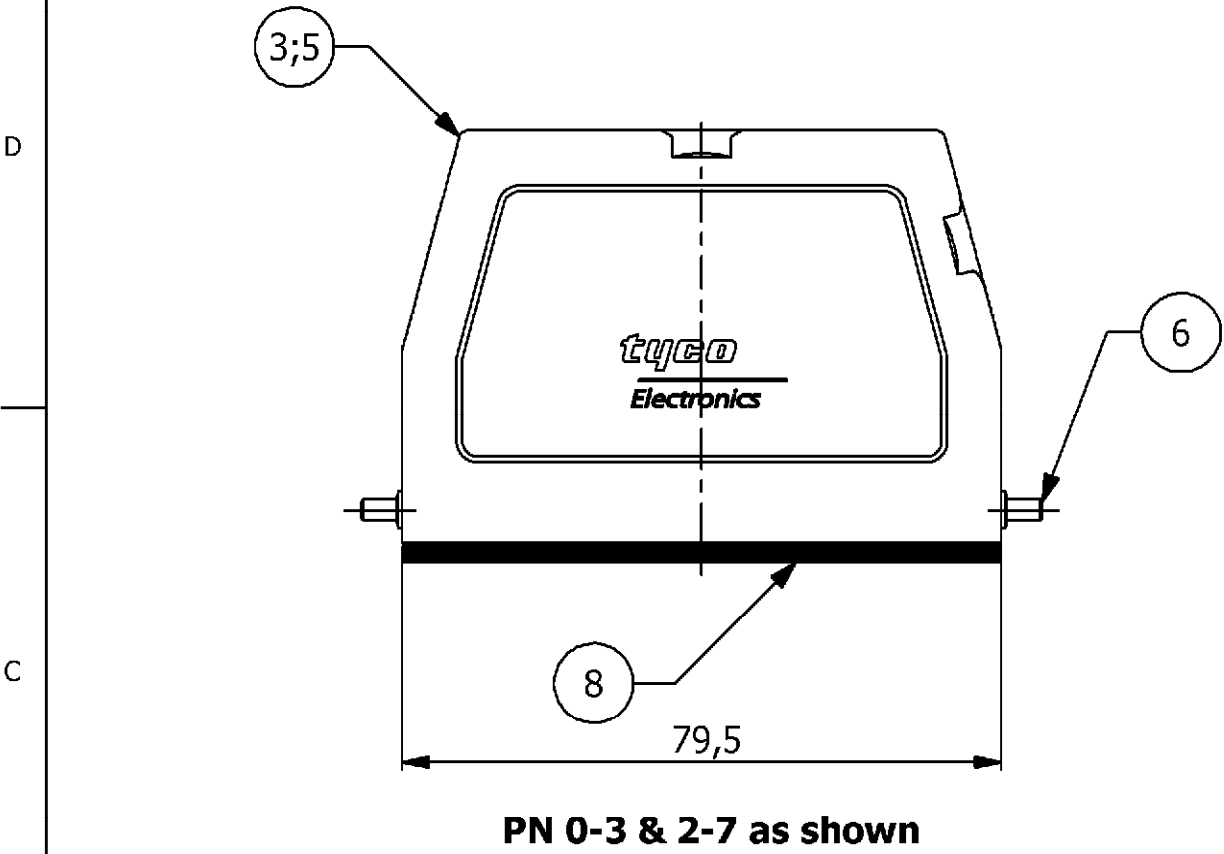
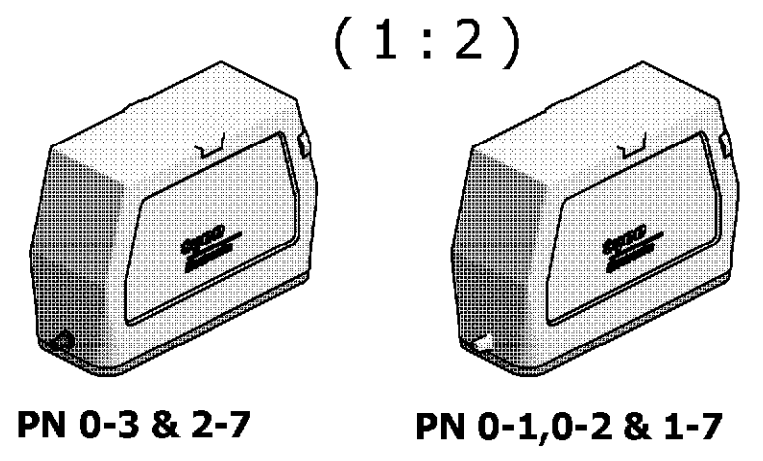


### NOTES

- 1 PACKAGING QUANTITY: 5 PIECES PER BOX
- 2 MATERIAL: HOUSING: ALUMINIUM DIECASTING ALLOY  
SEALS: NEOPRENE
- 3 SURFACE: ALUMINIUM OXIDE + VARNISH BLACK  
-GREY / BLACK / WITHOUT VARNISH
- 4 VARNISH ON THE INSIDE NOT NECESSARY



|                    |                 |         |         |
|--------------------|-----------------|---------|---------|
| <b>OBSOLETE</b>    | 2               | 3       | 3       |
| 1                  | 1               | 1       | 1       |
| 2                  | -               | 2       | -       |
| 1                  | -               | -       | -       |
| -                  | 1               | -       | -       |
| -                  | -               | 1       | -       |
| -                  | -               | -       | 1       |
| -                  | -               | -       | -       |
| -                  | -               | -       | 1       |
| 2-7                | 1-7             | 0-3     | 0-2 0-1 |
| DESCRIPTION        | MATERIAL        | SURFACE | COLOR   |
| ITEM NO.           | REMARKS         |         |         |
| 7                  | Bg5             |         |         |
| 6                  | -               |         |         |
| 5                  | Pg16            |         |         |
| 4                  | Pg16            |         |         |
| 3                  | Pg16            |         |         |
| 2                  | Pg16            |         |         |
| 1                  | Without Pg Hole |         |         |
| ORDERING TEXT      |                 |         |         |
| HA.16.ST           |                 |         |         |
| HA.16.STS.1.16.G   |                 |         |         |
| HA.16.STS.1.16.G   |                 |         |         |
| HA.16.STS.1.16.G   |                 |         |         |
| HA-K.16.STS.1.16.G |                 |         |         |

|  |  |  |   |
|--|--|--|---|
| THIS DRAWING IS A CONTROLLED DOCUMENT FOR AMP INCORPORATED. IT IS SUBJECT TO CHANGE AND THE CONTROLLING ENGINEERING ORGANIZATION SHOULD BE CONTACTED FOR THE LATEST REVISION. DIESES ZEICHNUNGSDOKUMENT WIRD DURCH AMP INCORPORATED KONTROLLIERT. ÄNDERUNGEN, DIE DEM TECHNISCHEN FORTSCHRITT DIENEN, SIND VORBEHALTEN. DEN JEWELLS LETZTGÜLTIGEN ÄNDERUNGSSTAND ERFAHREN SIE AUF ANFRAGE. |  | DWN<br>P.BENNUR<br>2/24/2006                         |   |
| DIMENSIONS:<br>DIMENSIONEN:<br>mm  |  | CHK<br>R.SRINIVAS<br>2/24/2006                       |   |
| TOLERANCES UNLESS OTHERWISE SPECIFIED:<br>ALLGEMEINTOLERANZEN<br>n. ISO 8015 - mH-E<br>n. ISO 2768 - 140<br>n. DIN 16901-#   |  | APVD<br>T.SCHNURPFEIL<br>2/24/2006                   |   |
| MATERIAL   |  | PRODUCT SPEC.<br>PRODUKTSPEZ.<br>108-74009           | NAME<br>HOOD<br>HA.16.STS.1.16.G        |
| FINISH / OBERFLÄCHE / FARBE  |  | APPLICATION SPEC.<br>VERARBEITUNGSSPEZ.<br>114-74001 | SIZE<br>A3                              |
| WEIGHT<br>GEWICHT  |  | RESTRICTED TO<br>NUR FUER                            | DRAWING NO<br>ZEICHNUNGS-NR.<br>1102136 |
| CUSTOMER DRAWING / KUNDENZEICHNUNG   |  | SCALE<br>MASSSTAB<br>1:1                             | SHEET<br>BLATT<br>1 OF<br>VON<br>1      |
|  |  | REV<br>B2  |   |

# Mouser Electronics

Authorized Distributor

Click to View Pricing, Inventory, Delivery & Lifecycle Information:

[TE Connectivity:](#)

[1102136-1](#)