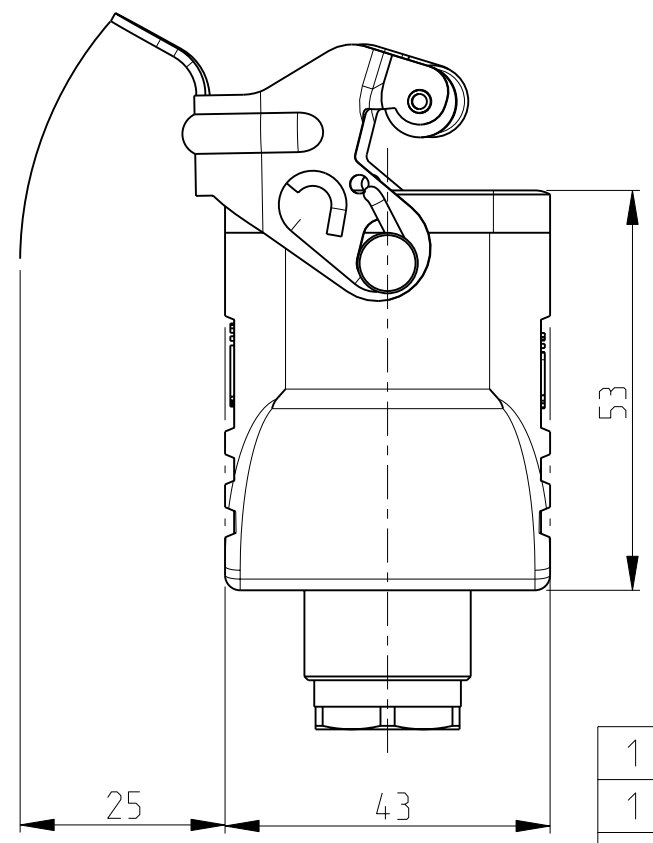
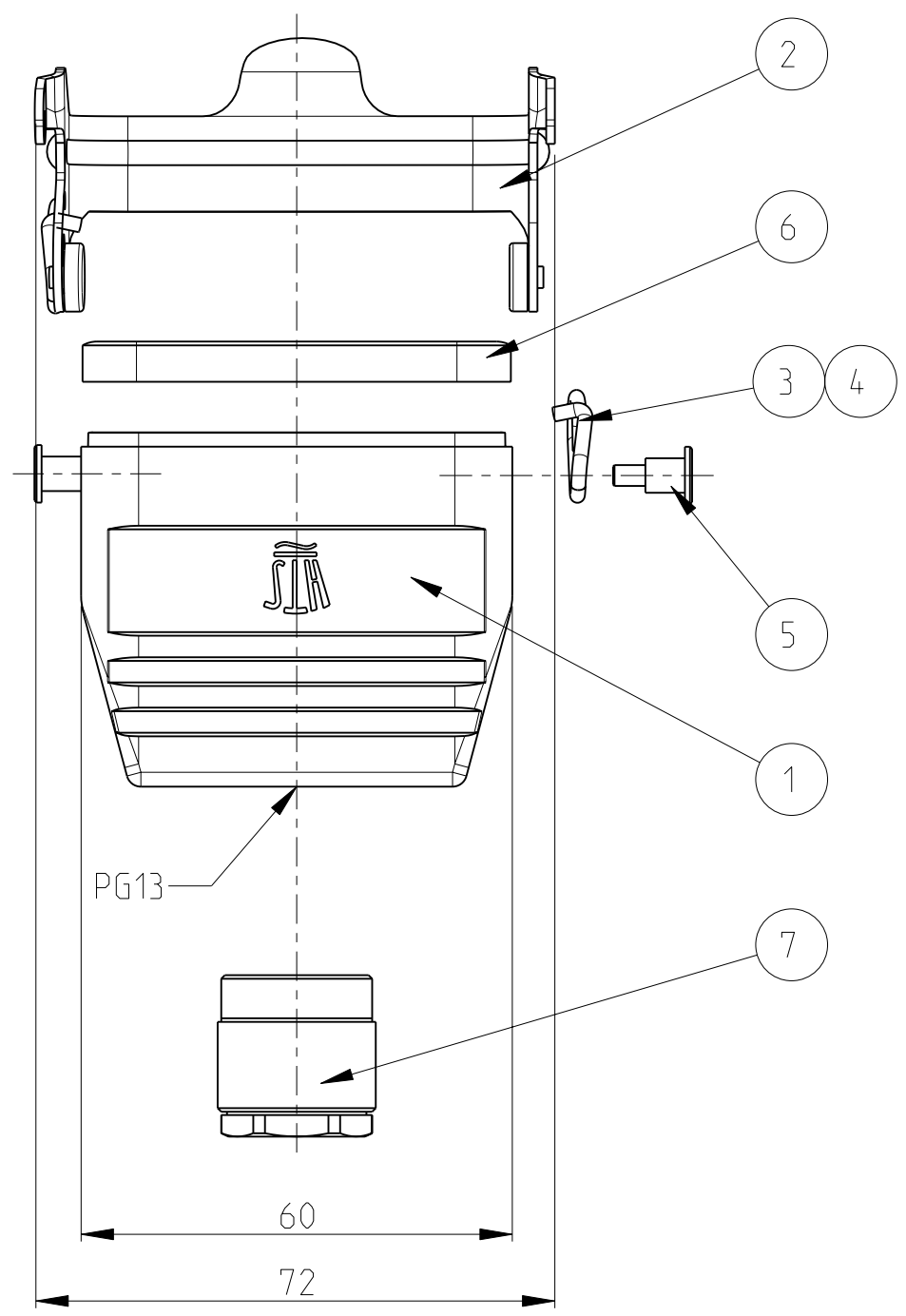


THIS DRAWING IS UNPUBLISHED. RELEASED FOR PUBLICATION 2006
 © COPYRIGHT 2006 BY TYCO ELECTRONICS CORPORATION. ALL RIGHTS RESERVED.

LOC	DIST	REVISIONS				
P	LTR	DESCRIPTION	DATE	DWN	APVD	
A1	-	A2	new pro/E drawing ECR-09-007725	09MAR2009	SR	AR



NOTES

- 1 PART SHALL BE FREE AND CLEAN OF BURRS AND OTHER FOREIGN MATERIAL
- 2 PACKAGING: QUANTITY 5 PIECES
- 3 VARNISHING INSIDE HOUSING NOT REQUIRED

QTY	DESCRIPTION	MATERIAL	SURFACE	COLOR	ITEM
1	CABLE FITTING ROUND	BRASS	NICKEL PLATED	BLUE	7
1	PROFIL SEAL	NEOPRENE		BLACK	6
2	CLIP POSITIONER	STEEL	ZINC PLATED	BLUE	5
1	CLIP SPRING RIGHT	STEEL	ZINC PLATED	BLUE	4
1	CLIP SPRING LEFT	STEEL	ZINC PLATED	BLUE	3
1	SLIDE CLIP	STEEL	ZINC PLATED	BLUE	2
1	CABLE-TO-CABLE HOOD	ALU		GREY	1
0-1	DESCRIPTION	MATERIAL	SURFACE	COLOR	ITEM

HB.6.KDO-LB.1.13

<small>THIS DRAWING IS A CONTROLLED DOCUMENT FOR TYCO ELECTRONICS CORPORATION IT IS SUBJECT TO CHANGE AND THE CONTROLLING ENGINEERING ORGANIZATION SHOULD BE CONTACTED FOR THE LATEST REVISION.</small>		DWN 09MAR2009 R.SCHNEIDER CHK 09MAR2009 T.SCHNURPFEL APVD - PRODUCT SPEC - APPLICATION SPEC - WEIGHT -	tyco Electronics AMP GmbH 53757 Sankt Augustin (Germany)
DIMENSIONS: mm 	TOLERANCES UNLESS OTHERWISE SPECIFIED: 0 PLC ±- 1 PLC ±- 2 PLC ±- 3 PLC ±- 4 PLC ±- ANGLES ±1° MATERIAL - FINISH -	NAME CABLE-TO-CABLE HOOD ASSY HB.6.KDO-LB.1.13	
		SIZE A3 CAGE CODE 00779 DRAWING NO ©=1102062	RESTRICTED TO -
		CUSTOMER DRAWING	SCALE 1:1 SHEET 1 OF 1 REV A2

Mouser Electronics

Authorized Distributor

Click to View Pricing, Inventory, Delivery & Lifecycle Information:

[TE Connectivity:](#)

[1102062-1](#)