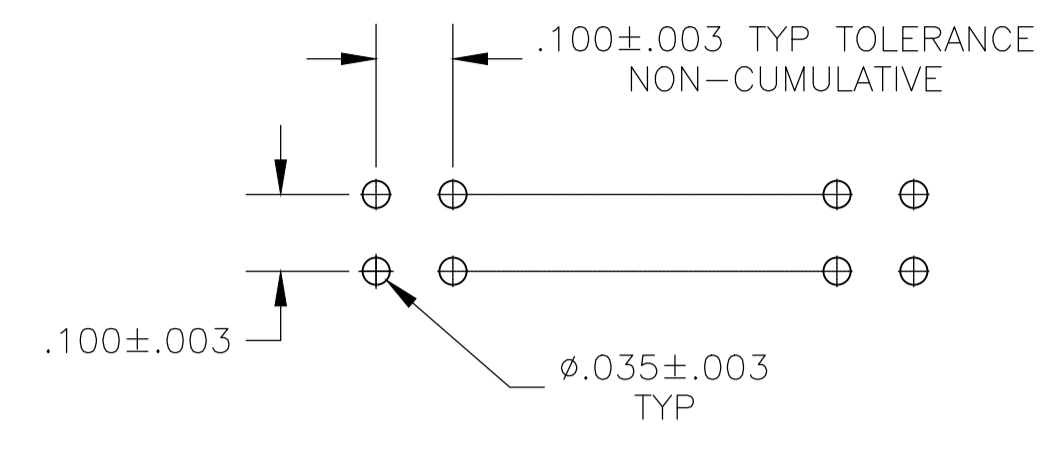
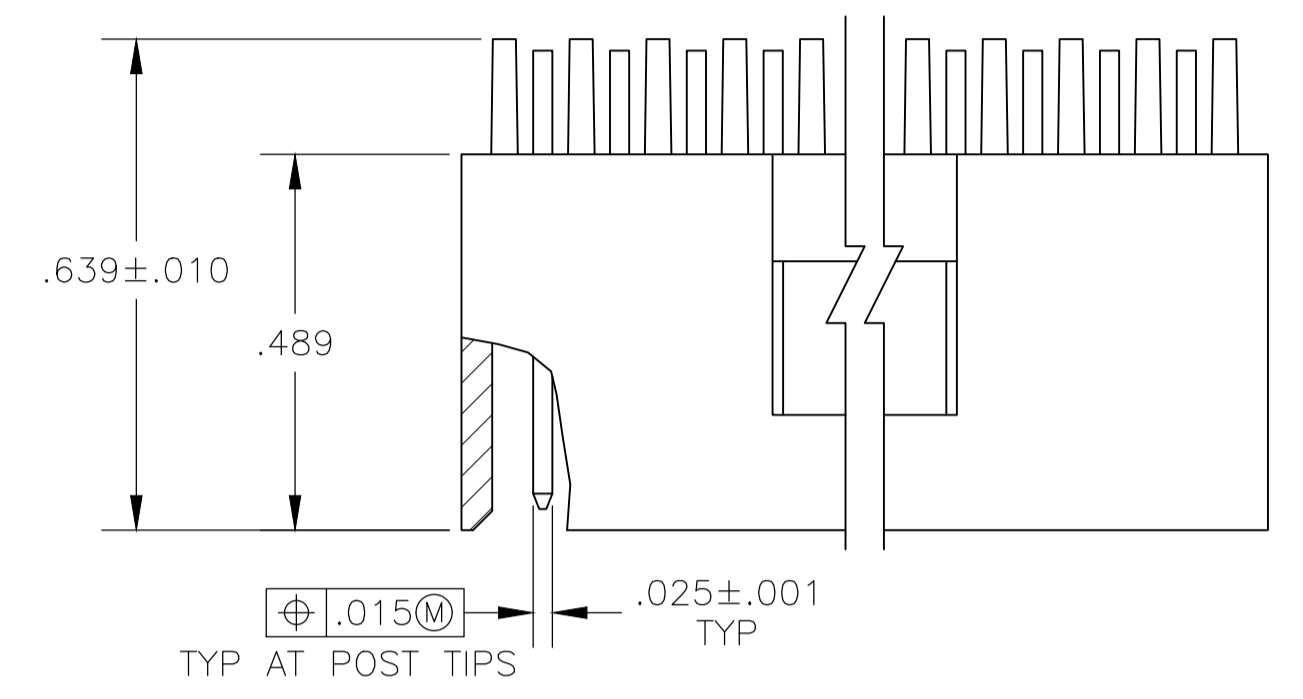
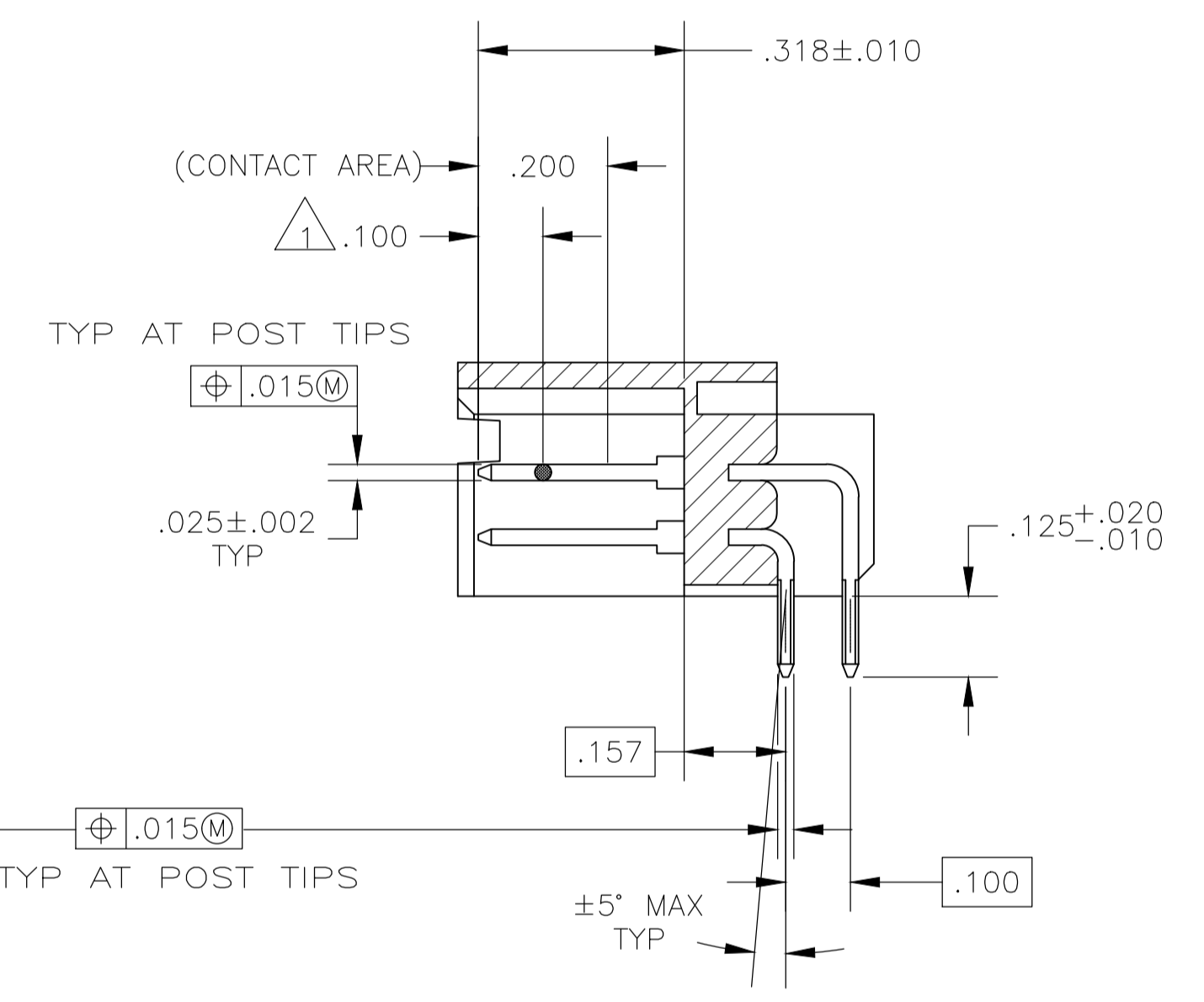
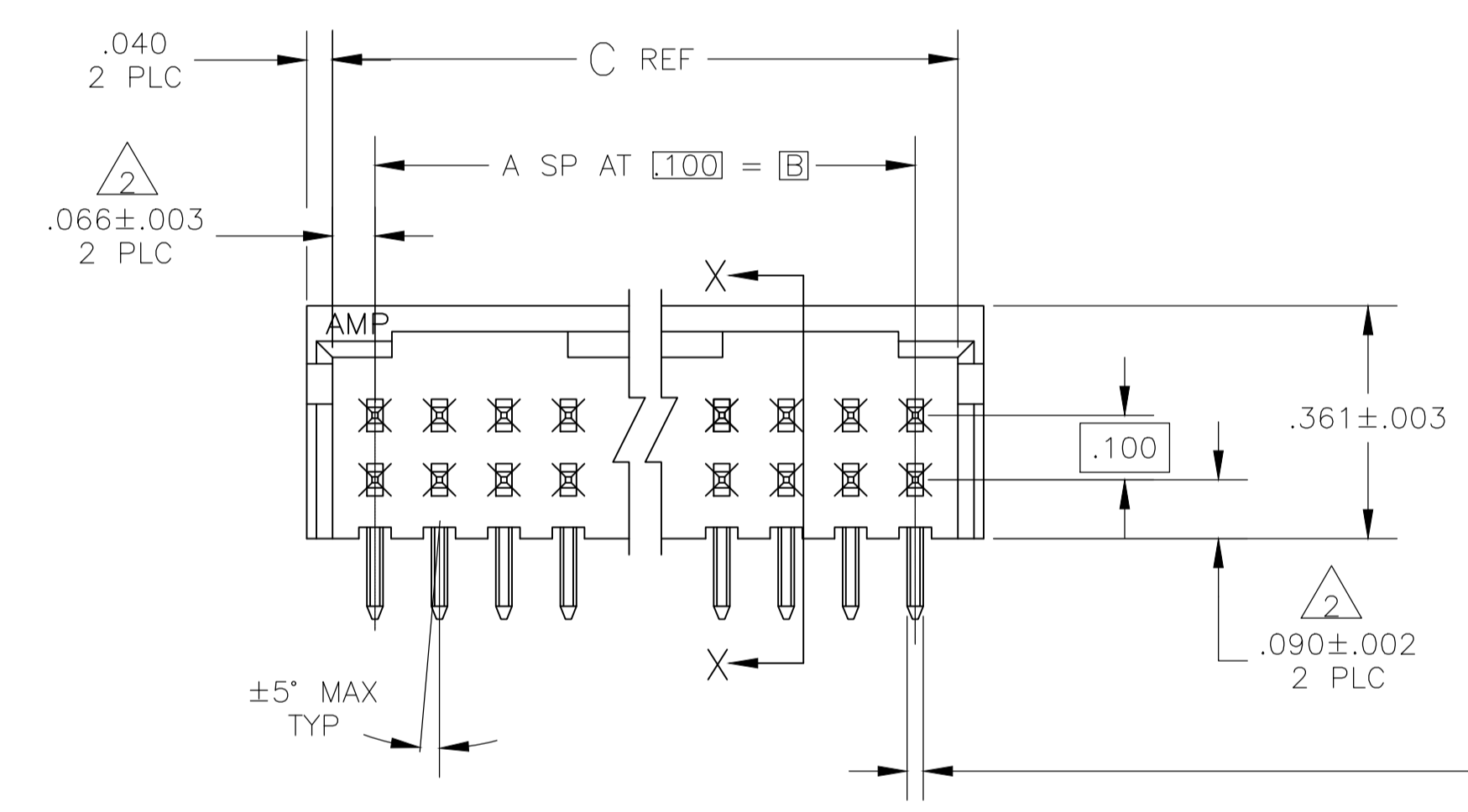


REVISIONS					
P	LTR	DESCRIPTION	DATE	DWN	APVD
K2		PART STATUS UPDATED IN PART LIST TABLE	05FEB2018	SD	PS



RECOMMENDED HOLE LAYOUT



SECTION X-X

- 1 POINT OF MEASUREMENT FOR PLATING THICKNESS.
- 2 THE NOTED DIMENSION APPLIES AT THE INTERSECTION OF THE POST AND HOUSING
- 3 POSTS: .000015 GOLD IN CONTACT AREA, .000100-.000200 MATTE TIN-LEAD ON SOLDER TAIL, ALL OVER .000050 NICKEL.
- 4 POSTS: .000015 GOLD IN CONTACT AREA, .000100-.000200 MATTE TIN ON SOLDER TAIL, ALL OVER .000050 NICKEL.
- 5 OBSOLETE PARTS: OBSOLETE CIS STREAMLINING PER D.RENAUD/D.SINISI

REV	DESCRIPTION	DATE	DWN	APVD
1				
2				
3				
4				
5				
6				
7				
8				
9				
10				
11				
12				
13				
14				
15				
16				
17				
18				
19				
20				
21				
22				
23				
24				
25				
26				
27				
28				
29				
30				
31				
32				
33				
34				
35				
36				
37				
38				
39				
40				
41				
42				
43				
44				
45				
46				
47				
48				
49				
50				
51				
52				
53				
54				
55				
56				
57				
58				
59				
60				
61				
62				
63				
64				
65				
66				
67				
68				
69				
70				
71				
72				
73				
74				
75				
76				
77				
78				
79				
80				
81				
82				
83				
84				
85				
86				
87				
88				
89				
90				
91				
92				
93				
94				
95				
96				
97				
98				
99				
100				

SUPERCEDED BY 1-103164-1

THIS DRAWING IS A CONTROLLED DOCUMENT.		DIN H MOLL 16NOV87		TE Connectivity	
DIMENSIONS: INCHES		TOLERANCES UNLESS OTHERWISE SPECIFIED:		NAME: R FLICKER	
0 PLC ± -		1 PLC ± -		PRODUCT SPEC	
1 PLC ± -		2 PLC ± -		APPLICATION SPEC	
2 PLC ± -		3 PLC ± .005		SIZE: A1	
3 PLC ± -		4 PLC ± -		CAGE CODE: 00779	
4 PLC ± -		ANGLES ± -		DRAWING NO: 102055	
MATERIAL: HOUSING: PLATE: REFRIGERANT: COLOR: BRASS: POSTPHOS: BRONZE		FINISH: SEE TABLE		RESTRICTED TO: CUSTOMER DRAWING	
WEIGHT: -		SCALE: 4:1		SHEET 1 OF 1	
REV: -		SCALE: 4:1		REV: K2	

Mouser Electronics

Authorized Distributor

Click to View Pricing, Inventory, Delivery & Lifecycle Information:

[TE Connectivity:](#)

[1-102055-5](#)