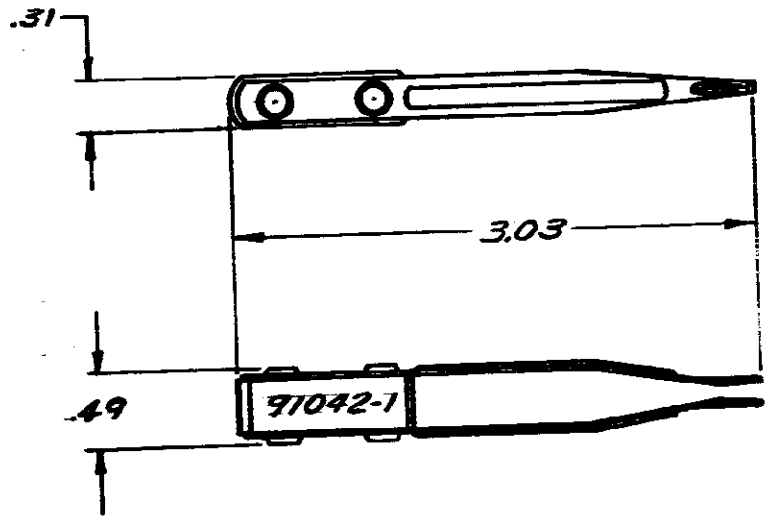


NUMBER 91042



NOTE:
1. FOR CORRECT TOOL USAGE SEE INSTRUCTION SHEET 157369

DIMENSIONS IN INCHES. DO NOT SCALE PRINT.

Unauthorized copy not to be made without written permission.

				AMP INCORPORATED. ALL RIGHTS RESERVED. PRODUCTS COVERED BY PATENTS AND TRADEMARKS PENDING.				CUSTOMER COPY REFERENCE ONLY	
				STEEL & ALUM. BLACK OXIDE				AMP INCORPORATED HARRISBURG, PENNA.	
				WIRE — RANGE — INSULATION — # — — # —				CLASS — # —	
				TOLERANCE EXCEPT AS NOTED — # —				TYPE TYPE XI CONTACTS	
				SCALE 1-1				LOC M A NO 91042 REV 0-1	
				NAME TOOL - INSERTION					
				CUSTOMER DRAWING					
0-1 Loc M was R PP - notes									
REVISION RECORD									
2/20/68 DE Hall									
2/2/68 DR [Signature]									

Mouser Electronics

Authorized Distributor

Click to View Pricing, Inventory, Delivery & Lifecycle Information:

[TE Connectivity:](#)

[91042-1](#)