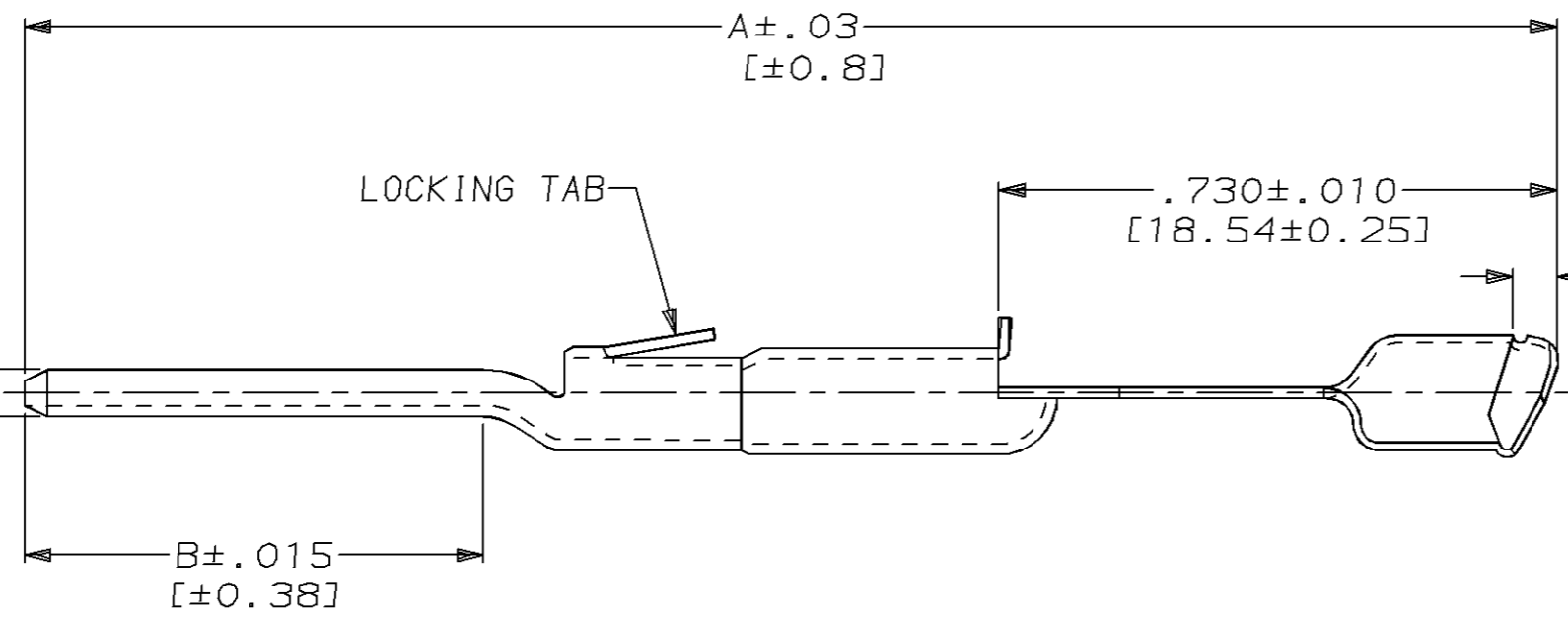


THIS DRAWING IS UNPUBLISHED. RELEASED FOR PUBLICATION .19 .
 © COPYRIGHT 19 BY AMP INCORPORATED. ALL RIGHTS RESERVED.

PROD CODE	LOC	DIST	REVISIONS			
P	LTR	DESCRIPTION	DATE	DWN	APVD	
4595	DF	PO	C			
		REV & REDRAWN; 0600-1587-94	CT	6-94	CCT JN	

.031
[0.79]

.062
[1.57]



- 1 GOLD IN CRITICAL AREA ONLY, NICKEL ON ALL OF CONTACT.
- 2 GOLD IN CRITICAL AREA ONLY, NICKEL ON ALL OF CONTACT WITH LOCKING TAB DEPRESSED.
- 3 GOLD IN CRITICAL AREA ONLY, NICKEL ON ALL OF CONTACT WITH LOCKING TAB DEPRESSED.

.670 [17.02]	2.12 [53.85]	3	1-424155-6
.570 [14.48]	2.02 [51.31]	2	1-424155-2
.570 [14.48]	2.02 [51.31]	1	424155-8
DIM B	DIM A	FINISH	PART NO.

THIS DRAWING IS A CONTROLLED DOCUMENT FOR AMP INCORPORATED. IT IS SUBJECT TO CHANGE AND THE CONTROLLING ENGINEERING ORGANIZATION SHOULD BE CONTACTED FOR THE LATEST REVISION.		CHK C.C. THOMAS 6-6-94	DWN 6-6-94	AMP AMP Incorporated Harrisburg, PA 17105-3608
TOLERANCES UNLESS OTHERWISE SPECIFIED: 0 PLC ± - 1 PLC ± - 2 PLC ± - 3 PLC ± .005 [0.13] 4 PLC ± - ANGLES ± - FINISH SEE TABLE		APVD J. NORTON 6-7-94	PRODUCT SPEC - APPLICATION SPEC - WEIGHT -	
DIMENSIONS: INCHES [mm]				SPRING CONTACT, .031x.062, MODU POST, RIGHT HAND
MATERIAL -				SIZE A3
				CAGE CODE 00779
				DRAWING NO C-424155
				SCALE 4:1
				SHEET 1 OF 1
				REV C

Mouser Electronics

Authorized Distributor

Click to View Pricing, Inventory, Delivery & Lifecycle Information:

[TE Connectivity:](#)

[424155-8](#)