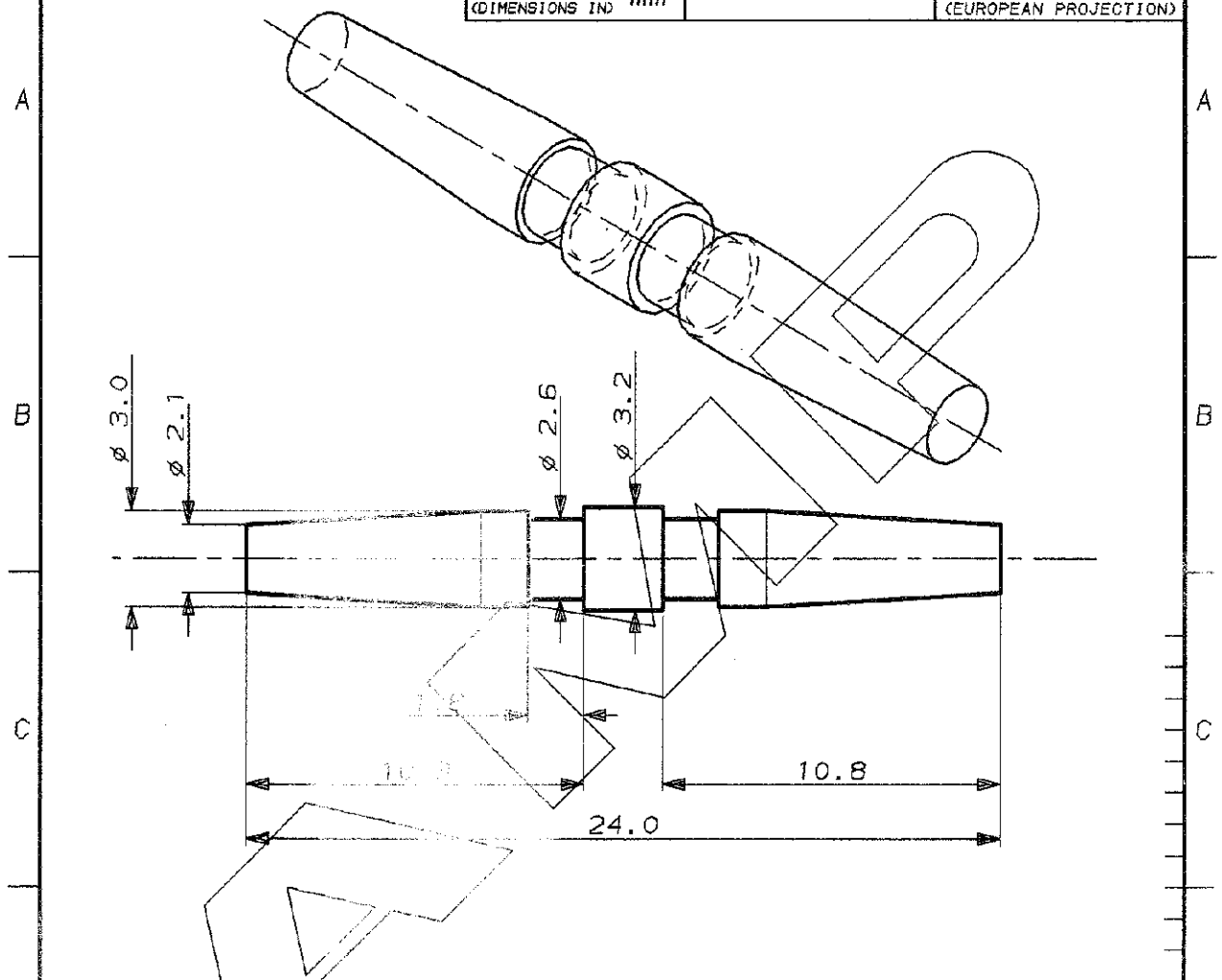


SCALA NON IMPEGNATIVA
(DO NOT SCALE)
DIMENSIONI IN mm
(DIMENSIONS IN)

METRIC

PROIEZIONE EUROPEA
(EUROPEAN PROJECTION)



1)-CHIAVETTA DI POLAR, ADATTA PER CAVITA' MULTIMATE
SIZE 16/12 SU CONNETTORI C.P.C. CHE MONTANO CONTATTI MASCHIO.
(KEYING SUITABLE FOR MULTIMATE CAVITY SIZE 16/12
ON C.P.C. MOUNTING SOCKET)

183046-1 AS SHOWN

DISEGNO RISERVATO PER CLIENTE ENEL

BLUE	NYLON	183046-1
FINITURA / COLORE (FINISH / COLOUR)	MATERIALE (MATERIAL)	NUMERO (PART NUMBER)

RESTRICTED CUSTOMER DRAWING FOR REFERENCE ONLY | DISEGNO PER CLIENTE SOLO PER RIFERIMENTO

THIS DRAWING IS UNPUBLISHED | RELEASE FOR PUBLICATION 19

© COPYRIGHT '95 BY AMP INCORPORATED, HARRISBURG, PA. ALL INTERNATIONAL RIGHTS RESERVED. AMP PRODUCTS MAY BE COVERED BY U.S. AND FOREIGN PATENT AND/OR PATENT PENDING.

DIAM. ISOLANTE (INS. DIA. RANGE)	RANGO FILO (WIRE RANGE)	SCALA (SCALE)
-	-	-

AMP AMP ITALIA S.p.A.
Corso P. LU Cervi, 15
COLLEGNO (TORINO)

DESCRIZIONE (DESCRIPTION) KEYING PLUG SOCKET FOR CONTACT SIZE 16/12

LOC.	SIZE	NUMERO (DWG NO)	REV.	FOGLIO (SHEET)
		IA4C-183046	A	1

REV.	REVISIONI (REVISION RECORD)	DIS. DATA (DR) (DATE)	APP. DATA (APP.) (DATE)
0	FIRST ISSUE		

Mouser Electronics

Authorized Distributor

Click to View Pricing, Inventory, Delivery & Lifecycle Information:

[TE Connectivity:](#)

[183046-1](#)