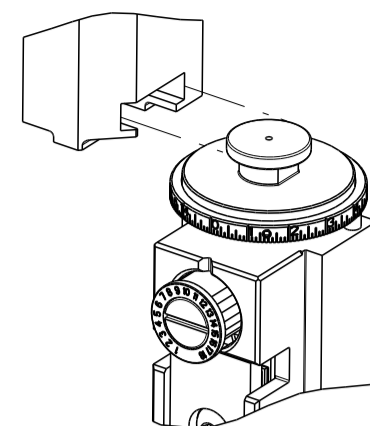


PART NUMBER	REVISION	DESCRIPTION	FEED TYPE
2836040-1	C	FINE CRIMP HEIGHT ADJUST	MECHANICAL
2836040-2	C	FINE CRIMP HEIGHT ADJUST	PNEUMATIC
7-2836040-1	C	MECHANICAL AND CRIMP TOOLING KIT	MECHANICAL
7-2836040-2	C	PNEUMATIC AND CRIMP TOOLING KIT	PNEUMATIC
7-2836040-7	A	CRIMP TOOLING KIT	-

ATLANTIC VERSION TERMINATOR INTERFACE ADAPTER

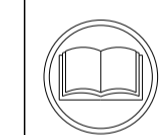


APPLICATOR DATA		
CRIMP	SIZE	TYPE
WIRE	0.79 mm [.031]	F
INSUL	1.02 mm [.040]	F

APPLICATOR INSTRUCTIONS  
408-35042

TERMINAL DATA: SAMTEC TERMINAL SAMTEC CRIMP SPECIFICATION			
TERMINAL NAME: ACCLIMATE DISCRETE WIRE CONTACT			
WIRE STRIP LENGTH	INSULATION DIAMETER RANGE		
1.46-2.23 mm [.058-.088 IN]	Ø0.74-0.94 mm [.029-.037 IN]		
TERMINAL APPLICATION SPECIFICATION	CC-393-XXXX-X-X Rev B		
TERMINALS APPLIED			
TE TERMINAL	SAMTEC TERMINAL	TE TERMINAL	SAMTEC TERMINAL
2113901-1	CC393-2830-L-X		

WIRE SIZE	CRIMP HEIGHT mm [INCH]	CRIMP HEIGHT REFERENCE SETTING
28 AWG	0.46 +/- 0.05 [.018 +/- .002]	8.1
30 AWG	0.41 +/- 0.05 [.016 +/- .002]	8.4



- RECOMMENDED SPARE PARTS
- REFER TO SUPPLIED INSTRUCTION SHEET FOR CLEANING, LUBRICATION AND STORAGE OF APPLICATOR.
- APPLY PART NUMBER 2-23419-6 LOCTITE TO THREADS OF ITEM 242.
- CRIMP HEIGHT REFERENCE SETTING WAS THE SETTING USED WHEN THE APPLICATOR WAS QUALIFIED AT THE FACTORY. ADJUSTMENT MAY BE NECESSARY WHEN RUNNING APPLICATOR IN THE FIELD.
- TERMINAL LUBRICANT IS RECOMMENDED.
- UNLESS SPECIFIED OTHERWISE TORQUE VALUES SHALL BE USED PER DOCUMENT, 101-35000.

**\*WARNING**  
ON INSTALLATION, SET WIRE DISC TO CRIMP HEIGHT REFERENCE SETTING FOR LARGEST WIRE SIZE. CRIMP HEIGHT REFERENCE SETTINGS GREATER THAN THE VALUE SHOWN MAY CAUSE DAMAGE TO THE CRIMP TOOLING. REFER TO THE INSTRUCTION SHEET FOR PROPER SETUP AND ADJUSTMENTS.

LOC	DIST	REVISIONS					
		P	LTN	DESCRIPTION	DATE	DWN	APVD
A	66			RELEASED	08DEC2015	BW	GB
				ECR-17-009399	28JUN2017	KH	TE
				ECR-19-006994	02MAY2019	TB	CT

-	1	-	1	-	2119640-1	PUSH ROD, AIR FEED	250	
-	1	-	1	-	1803259-1	BUSHING, FLANGED	249	
-	1	-	1	-	2119641-1	FEED CAM, AIR FEED	248	
-	1	1	1	1	2119082-5	CAM, SNAIL, INSULATION ADJUSTMENT	244	
-	1	1	1	1	2079764-1	WASHER, WAVE SPRING, CREST-TO-CREST	243	
-	1	1	1	1	2119083-1	RETAINER, INSULATION DIAL	242	
-	1	1	1	1	7-18023-7	SCR, SKT HD CAP M3 X 4.0	241	
-	-	1	-	1	2119580-1	MECHANICAL FEED ASSEMBLY	239	
-	1	-	1	-	2063440-1	AIR FEED MODULE	238	
-	2	-	2	-	21045-3	RING, RETAIN, EXTERN, 3/16 CRESCENT	172	
-	REF	REF	REF	REF	994970-2	COUNTER, MAGNETIC	164	
-	1	-	1	-	240638-1	SPRING, FEED FINGER	163	
-	1	-	1	-	3-23627-7	PIN, RETAIN, GRVD, 3/16 X .854	137	
-	1	-	1	-	2119799-1	HOLDER, FEED FINGER, AF	136	
-	1	1	1	1	2119955-1	ASSY, LUBRICATOR, SIDE FEED	113	
-	1	1	1	1	2844908-1	SCREW, LOCKING	99	
-	1	1	1	1	2844907-1	POST, LOCKING	98	
-	1	1	1	1	2-455888-3	SPACER, CRIMPER	82	
-	1	1	1	1	1803607-1	DOCUMENTATION PACKAGE	71	
-	1	1	1	1	2119791-9	DEPRESSOR, WIRE	70	
-	1	1	1	1	2119740-1	TAG, IDENTIFICATION	67	
-	2	2	2	2	2168078-1	SCREW, DRIVE, RH, RoHS, 2 x .188	66	
-	1	1	1	1	2168083-2	SCR, SKT HD CAP, RoHS, M4 X 8.0	60	
-	1	1	1	1	5-18022-5	SCR, HEX HD CAP, M4 X 6.0	59	
-	1	1	1	1	1338685-1	PAWL, FEED	56	
-	4	4	4	4	2168083-3	SCR, SKT HD CAP, RoHS, M4 X 12.0	54	
-	2	2	2	2	1-2168083-0	SCR, SKT HD CAP, RoHS, M4 X 10	53	
-	1	1	1	1	1803382-1	HOLD DOWN, SPRING LOADED	50	
-	1	2	1	2	18023-9	SCR, SKT HD CAP M4 X 6.0	49	
-	-	1	-	1	2119652-1	FEED CAM, PRE FEED	48	
-	-	1	-	1	2119653-1	FEED CAM, POST FEED	47	
-	1	1	1	1	1803583-9	APPLICATOR BASIC ASSEMBLY, SF	46	
-	1	1	1	1	1803515-1	RAM ASSEMBLY, SF ATLANTIC	44	
-	1	1	1	1	1803602-1	SCR, BHSC, RoHS (M8 X 25)	41	
-	1	1	1	1	1752356-3	SUPPORT, TERMINAL	34	
-	2	2	2	2	2079383-5	SCR, BHSC, RoHS (M4 X 20)	33	
-	2	2	2	2	2-2844962-3	SPACER, CYLINDRICAL, STRIP GUIDE	30	
-	1	1	1	1	2844992-1	ASSEMBLY, STRIP GUIDE	29	
-	1	1	1	1	1320928-2	STRIP GUIDE	24	
-	1	1	1	1	2168083-2	SCR, SKT HD CAP, RoHS, M4 X 8.0	21	
-	2	2	2	2	1-18028-2	WASHER, FLAT, REG M4	20	
-	1	1	1	1	2119533-1	STRIPPER, SIDE FEED	19	
-	1	1	1	1	2119806-1	INSERT, SHEAR	13	
-	1	1	1	1	3-22280-3	SPRING, COMPRESSION	12	
-	1	1	1	1	1-356885-4	STOP, SHEAR	11	
-	1	1	1	1	2119805-1	SHEAR HOLDER, FRONT	10	
-	1	1	1	1	1803095-3	FLOATING SHEAR, FRONT	9	
-	1	2	2	1	1	6-1803057-4	ANVIL, COMBINATION	8
-	-	-	-	-	-	-	7	
-	-	-	-	-	-	-	6	
-	1	1	1	1	1-2119757-8	DEPRESSOR, SHEAR	5	
-	1	1	1	1	4-238011-8	BLOCK, CRIMPER SPACER	4	
-	1	2	2	1	1	7-1803017-3	CRIMPER, INSULATION F	3
-	1	1	1	1	455888-5	SPACER, CRIMPER	2	
-	1	2	2	1	1	1803224-6	CRIMPER, WIRE	1
-	77	72	71	-2	-1	PART NO	DESCRIPTION	ITEM NO

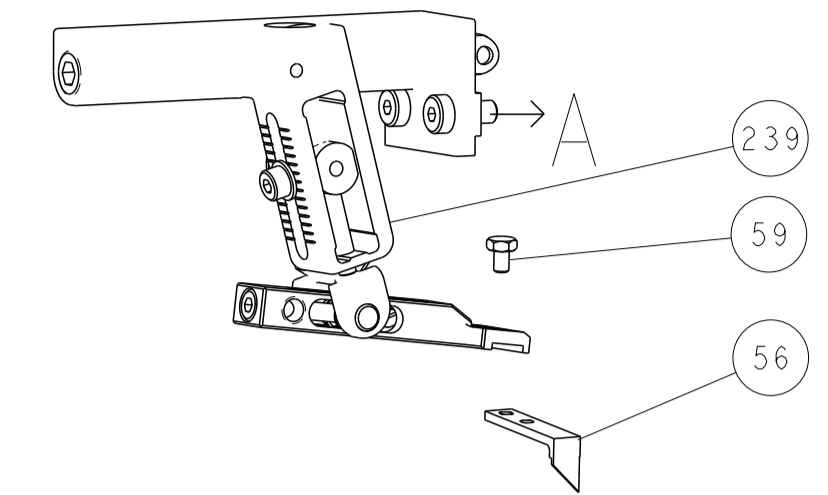
ATLANTIC VERSION  
Shown on sheets 1 of 4 & 2 of 4  
(Pacific version shown on sheets 3 of 4 & 4 of 4)

DIMENSIONS:		TOLERANCES UNLESS OTHERWISE SPECIFIED:		MATERIAL:		FINISH:	
mm	0 PLC ±	1 PLC ±	2 PLC ±	3 PLC ±	4 PLC ±	ANGLES ±	FINISH ±

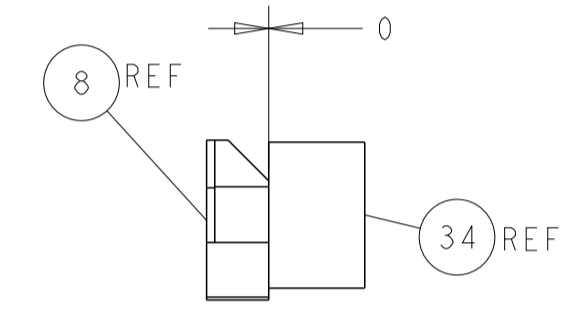
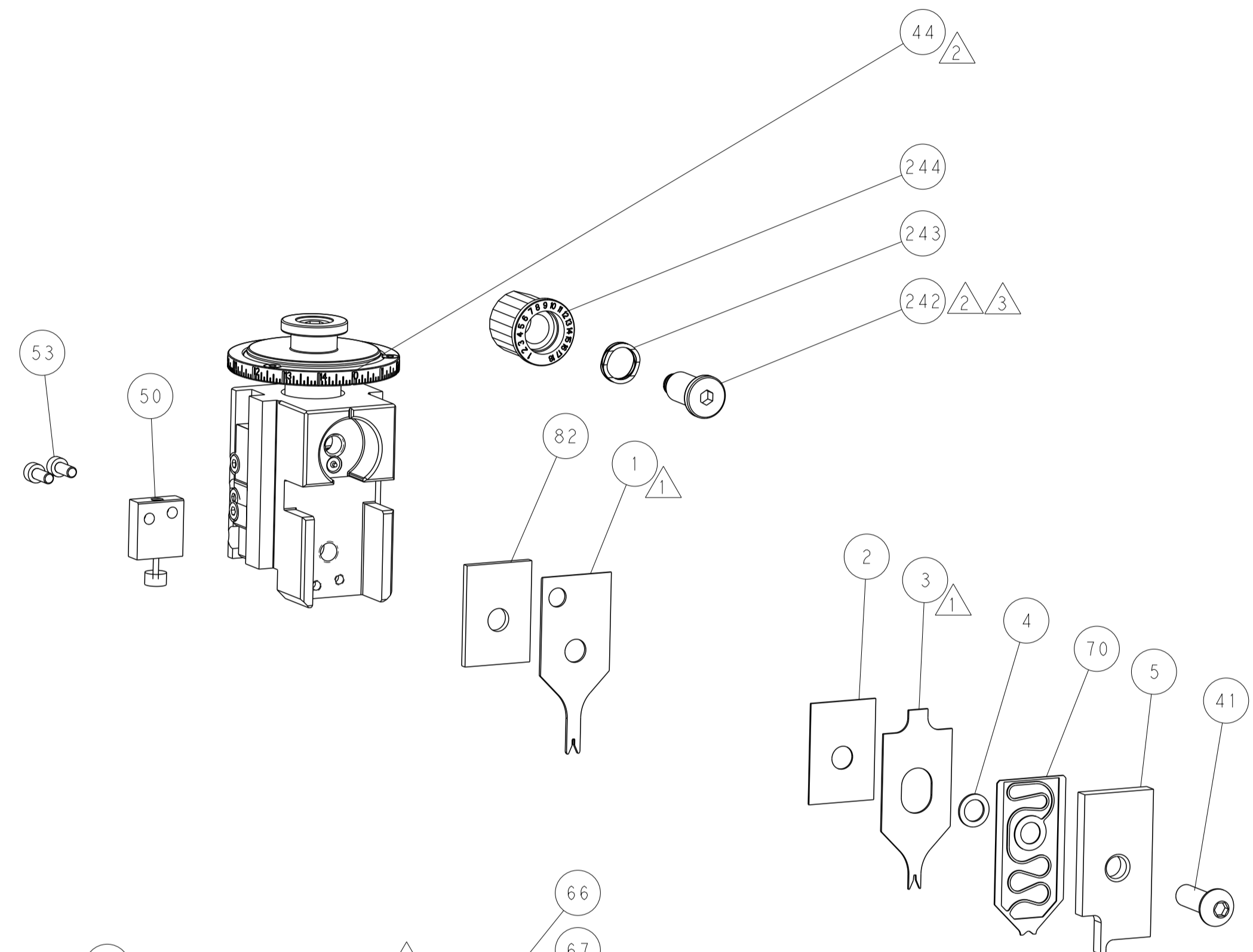
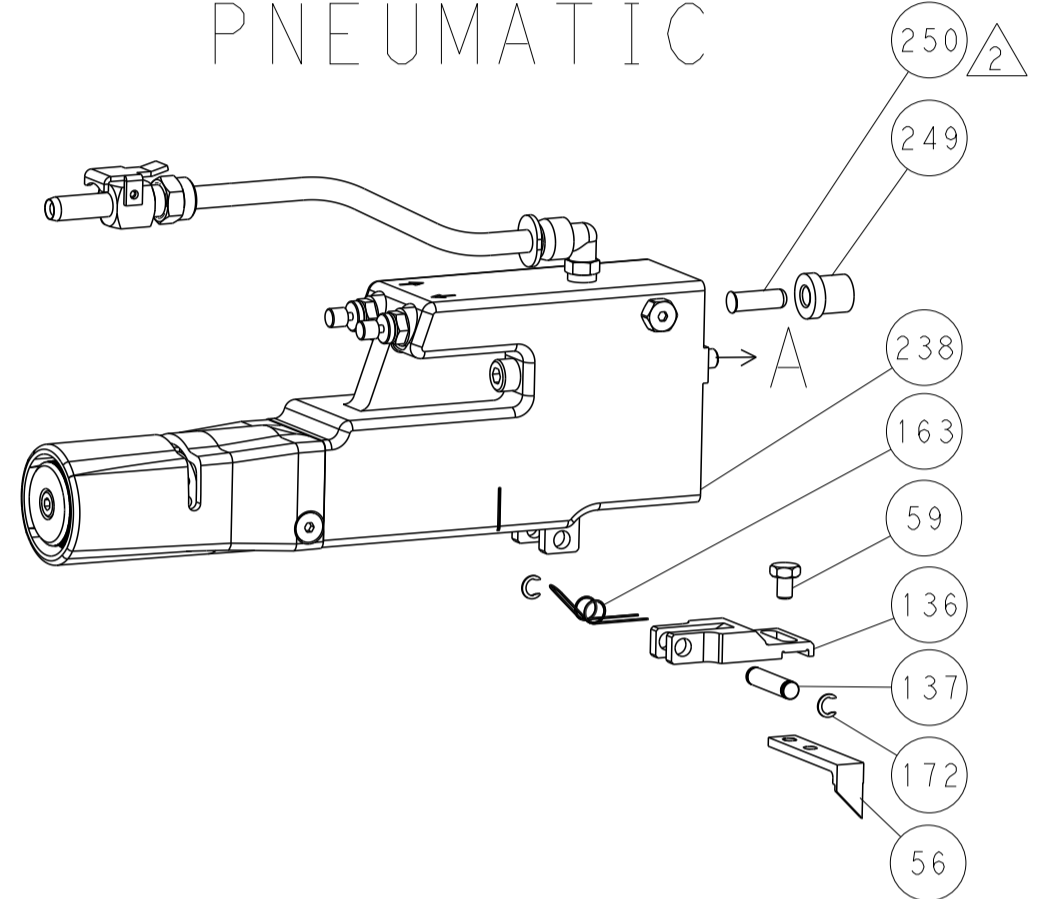
OWN	D. WEAVER	12OCT2015
CHK	G. BAILEY	12OCT2015
APVD	G. BAILEY	12OCT2015
PRODUCT SPEC		
APPLICATION SPEC		
SIZE	CAGE CODE	DRAWING NO
A1	00779	2836040
Customer Accessible Production Drawing		
SCALE	1:2	SHEET 1 OF 4
REV	C	

LOC	DIST	REVISIONS					
A	66	P	LYN	DESCRIPTION	DATE	DWN	APVD
		-		SEE SHEET 1	-	-	-

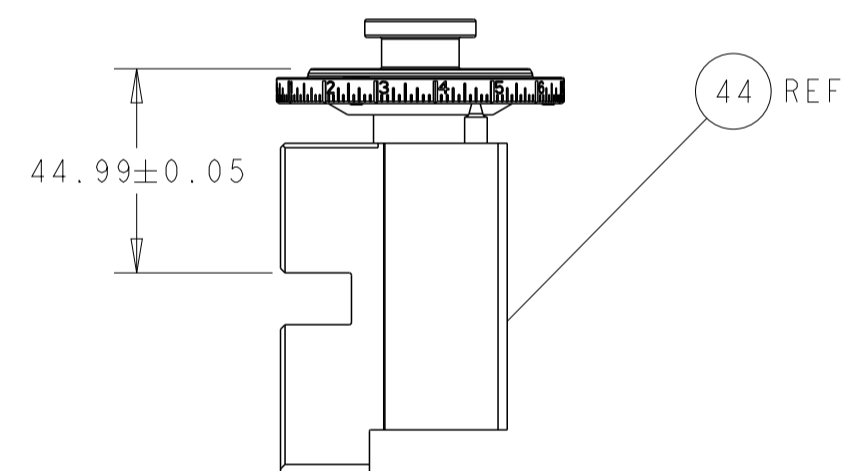
# FEED TYPE MECHANICAL



# PNEUMATIC

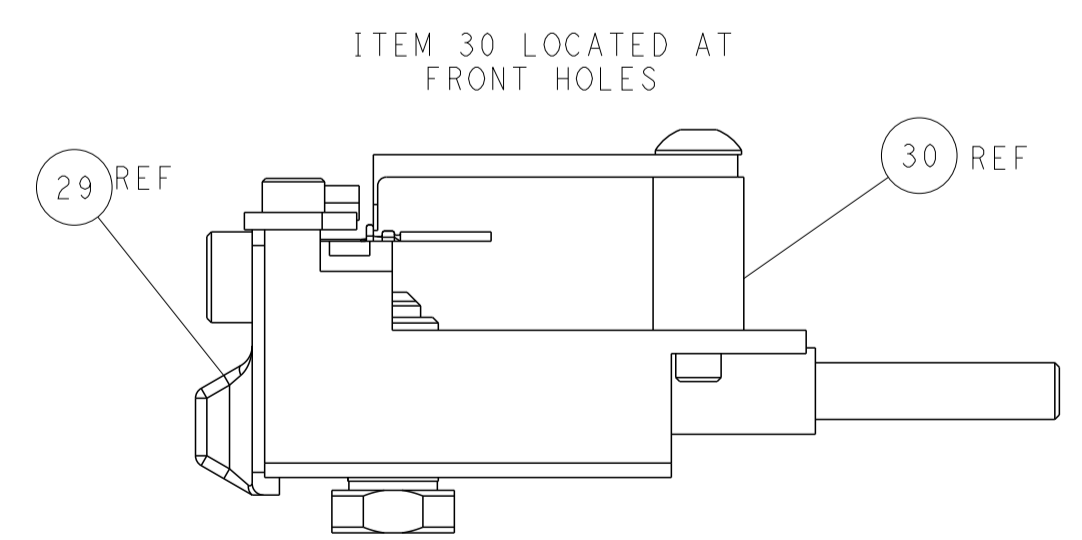
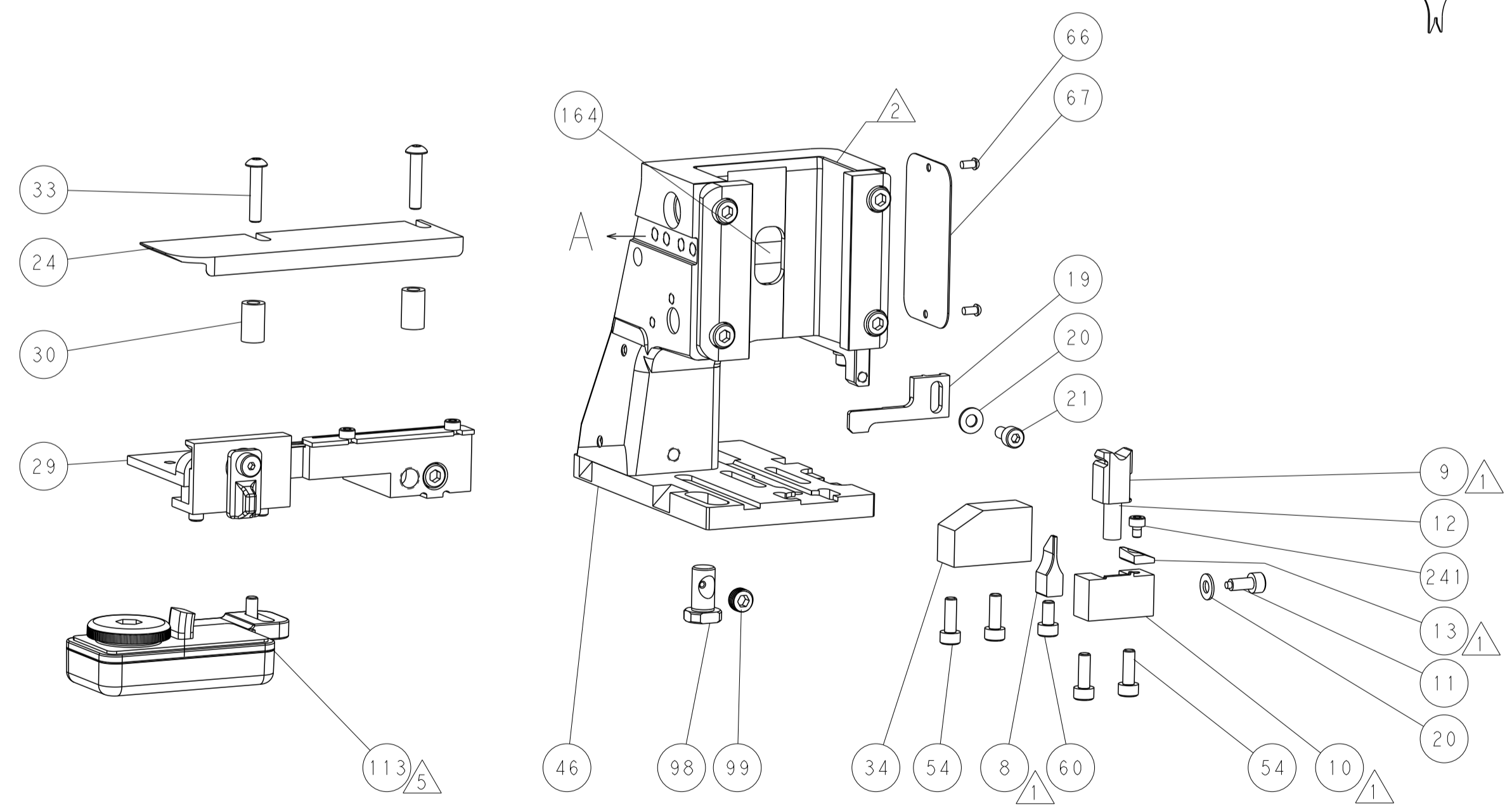
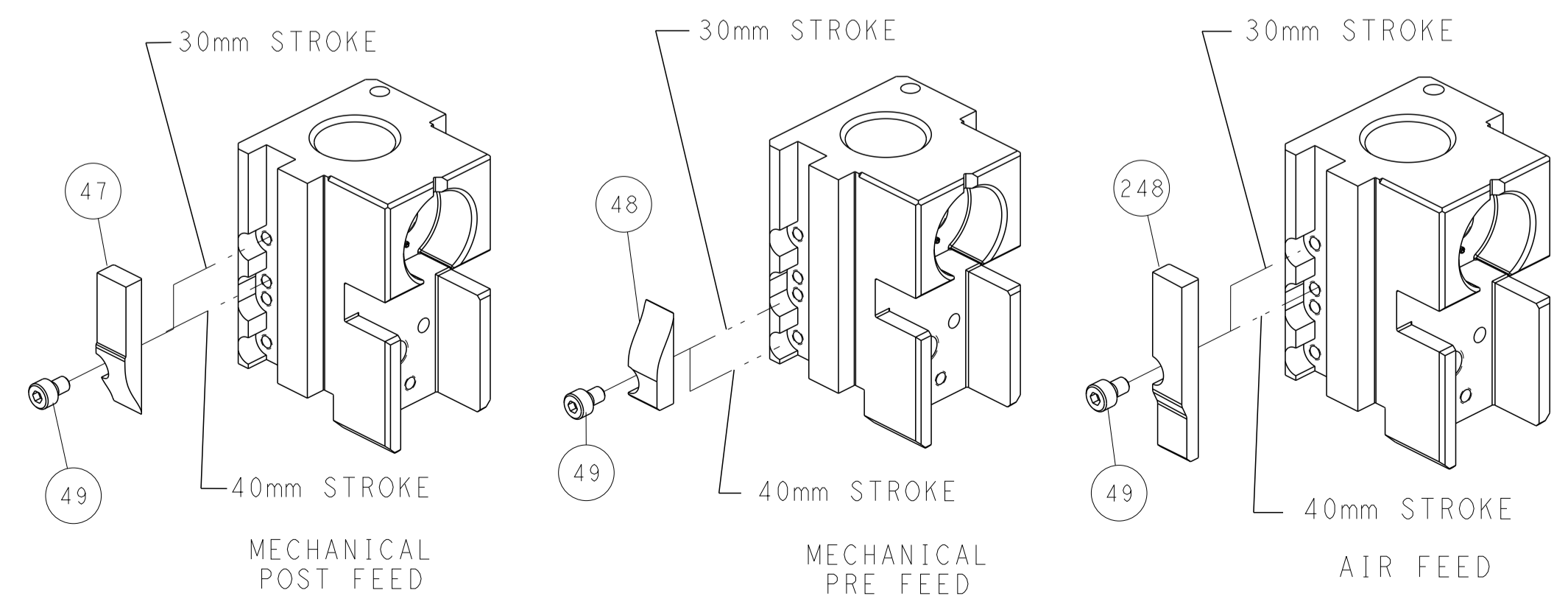


TERMINAL SUPPORT LOCATION



RAM SET-UP

# CAM POSITIONS



ITEM 30 LOCATED AT FRONT HOLES

FEED TRACK POSITION GUIDE BY INSULATION BARREL

**ATLANTIC VERSION**  
 Shown on sheets 1 of 4 & 2 of 4  
 (Pacific version shown on sheets 3 of 4 & 4 of 4)

DIMENSIONS: mm TOLERANCES UNLESS OTHERWISE SPECIFIED: 0 PLC ± 1 PLC ± 2 PLC ± 3 PLC ± 4 PLC ± ANGLES FINISH ±		DWN B. WEAVER 12OCT2015 CHK G. BAILEY 12OCT2015 APVD G. BAILEY 12OCT2015 PRODUCT SPEC APPLICATION SPEC WEIGHT Customer Accessible Production Drawing	NAME Ocean Side Feed Applicator SIZE CAGE CODE DRAWING NO A1 00779 C=2836040 SCALE 1:2 SHEET 2 OF 4 REV C	RESTRICTED TO -
--	--	--	---	--------------------

PART NUMBER	REVISION	DESCRIPTION	FEED TYPE
2-2836040-1	C	FINE CRIMP HEIGHT ADJUST	MECHANICAL
2-2836040-2	C	FINE CRIMP HEIGHT ADJUST	PNEUMATIC
7-2836040-7	A	CRIMP TOOLING KIT	-

PACIFIC VERSION TERMINATOR  
 INTERFACE ADAPTER



APPLICATOR DATA		
CRIMP	SIZE	TYPE
WIRE	0.79 mm [.031]	F
INSUL	1.02 mm [.040]	F

APPLICATOR INSTRUCTIONS 408-35042

TERMINAL DATA: SAMTEC TERMINAL SAMTEC CRIMP SPECIFICATION  
 TERMINAL NAME: ACCLIMATE DISCRETE WIRE CONTACT

WIRE STRIP LENGTH 1.46-2.23 mm [.058-.088 IN]	INSULATION DIAMETER RANGE Ø0.74-0.94 mm [.029-.037 IN]
--	---

TERMINAL APPLICATION SPECIFICATION CC-393-XXXX-X-X Rev B

TE TERMINAL	SAMTEC TERMINAL	TE TERMINAL	SAMTEC TERMINAL
2113901-1	CC393-2830-L-X		

WIRE SIZE	CRIMP HEIGHT mm [INCH]	CRIMP HEIGHT REFERENCE SETTING
28 AWG	0.46 +/- 0.05 [.018 +/- .002]	8.1
30 AWG	0.41 +/- 0.05 [.016 +/- .002]	8.4

- RECOMMENDED SPARE PARTS
  - REFER TO SUPPLIED INSTRUCTION SHEET FOR CLEANING, LUBRICATION AND STORAGE OF APPLICATOR.
  - APPLY PART NUMBER 2-23419-6 LOCTITE TO THREADS OF ITEM 242.
  - CRIMP HEIGHT REFERENCE SETTING WAS THE SETTING USED WHEN THE APPLICATOR WAS QUALIFIED AT THE FACTORY. ADJUSTMENT MAY BE NECESSARY WHEN RUNNING APPLICATOR IN THE FIELD.
  - TERMINAL LUBRICANT IS RECOMMENDED.
6. UNLESS SPECIFIED OTHERWISE TORQUE VALUES SHALL BE USED PER DOCUMENT, 101-35000.

**\*WARNING**  
 ON INSTALLATION, SET WIRE DISC TO CRIMP HEIGHT REFERENCE SETTING FOR LARGEST WIRE SIZE. CRIMP HEIGHT REFERENCE SETTINGS GREATER THAN THE VALUE SHOWN MAY CAUSE DAMAGE TO THE CRIMP TOOLING. REFER TO THE INSTRUCTION SHEET FOR PROPER SETUP AND ADJUSTMENTS.

LOC	DIST	REV	DATE	BY	APPD
A	66	-	-	-	-

REV	DATE	BY	APPD	DESCRIPTION	ITEM NO
-	1	-	-	2119640-1 PUSH ROD, AIR FEED	250
-	1	-	-	1803259-1 BUSHING, FLANGED	249
-	1	1	-	2119082-5 CAM, SNAIL, INSULATION ADJUSTMENT	244
-	1	1	-	2079764-1 WASHER, WAVE SPRING, CREST-TO-CREST	243
-	1	1	-	2119083-1 RETAINER, INSULATION DIAL	242
-	1	1	-	7-18023-7 SCR, SKT HD CAP M3 X 4.0	241
-	-	1	-	2119580-1 MECHANICAL FEED ASSEMBLY	239
-	1	-	-	2063440-1 AIR FEED MODULE	238
-	2	-	-	21045-3 RING, RETAIN, EXTERN, 3/16 CRESCENT	172
-	REF	REF	-	994970-2 COUNTER, MAGNETIC	164
-	1	-	-	240638-1 SPRING, FEED FINGER	163
-	1	-	-	2119641-2 FEED CAM, AIR FEED	151
-	1	1	-	2168083-8 SCR, SKT HD CAP, RoHS, M4 X 16	144
-	4	4	-	2168083-9 SCR, SKT HD CAP, RoHS, M4 X 20	143
-	-	1	-	2119653-2 FEED CAM, POST FEED	142
-	1	1	-	1-1803583-0 APPLICATOR BASIC ASSEMBLY, SF	141
-	1	1	-	1803516-1 RAM ASSEMBLY, SF PACIFIC	140
-	1	-	-	3-23627-7 PIN, RETAIN, GRVD, 3/16 X .854	137
-	1	-	-	2119799-1 HOLDER, FEED FINGER, AF	136
-	1	1	-	2119955-1 ASSY, LUBRICATOR, SIDE FEED	113
-	1	1	-	2844908-1 SCREW, LOCKING	99
-	1	1	-	2844907-1 POST, LOCKING	98
-	1	1	-	2-455888-3 SPACER, CRIMPER	82
-	1	1	-	1803607-1 DOCUMENTATION PACKAGE	71
-	1	1	-	2119791-9 DEPRESSOR, WIRE	70
-	1	1	-	2119740-1 TAG, IDENTIFICATION	67
-	2	2	-	2168078-1 SCREW, DRIVE, RH, RoHS, 2 x .188	66
-	1	1	-	5-18022-5 SCR, HEX HD CAP, M4 X 6.0	59
-	1	1	-	1338685-1 PAWL, FEED	56
-	2	2	-	1-2168083-0 SCR, SKT HD CAP, RoHS, M4 X 10	53
-	1	1	-	1803382-1 HOLD DOWN, SPRING LOADED	50
-	1	2	-	18023-9 SCR, SKT HD CAP M4 X 6.0	49
-	-	1	-	2119652-1 FEED CAM, PRE FEED	48
-	1	1	-	1803602-1 SCR, BHSC, RoHS (M8 X 25)	41
-	1	1	-	1752356-3 SUPPORT, TERMINAL	34
-	2	2	-	2079383-5 SCR, BHSC, RoHS (M4 X 20)	33
-	2	2	-	2-2844962-3 SPACER, CYLINDRICAL, STRIP GUIDE	30
-	1	1	-	2844992-1 ASSEMBLY, STRIP GUIDE	29
-	1	1	-	1320928-2 STRIP GUIDE	24
-	1	1	-	2168083-2 SCR, SKT HD CAP, RoHS, M4 X 8.0	21
-	2	2	-	1-18028-2 WASHER, FLAT, REG M4	20
-	1	1	-	2119533-1 STRIPPER, SIDE FEED	19
-	1	1	-	2119806-1 INSERT, SHEAR	13
-	1	1	-	3-22280-3 SPRING, COMPRESSION	12
-	1	1	-	1-356885-4 STOP, SHEAR	11
-	1	1	-	2119805-1 SHEAR HOLDER, FRONT	10
-	1	1	-	1803095-3 FLOATING SHEAR, FRONT	9
-	1	1	1	6-1803057-4 ANVIL, COMBINATION	8
-	-	-	-	-	7
-	-	-	-	-	6
-	1	1	-	1-2119757-8 DEPRESSOR, SHEAR	5
-	1	1	-	4-238011-8 BLOCK, CRIMPER SPACER	4
-	1	1	1	7-1803017-3 CRIMPER, INSULATION F	3
-	1	1	-	455888-5 SPACER, CRIMPER	2
-	1	1	1	1803224-6 CRIMPER, WIRE	1

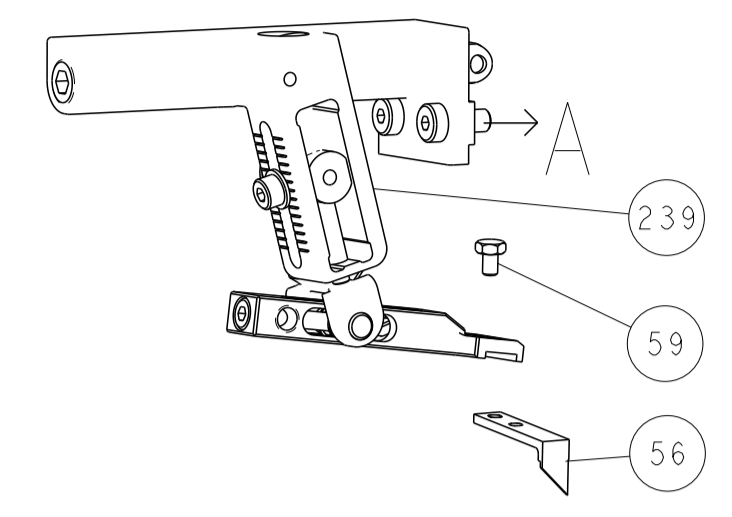
PACIFIC VERSION  
 Shown on sheets 3 of 4 & 4 of 4  
 (Atlantic version shown on sheets 1 of 4 & 2 of 4)

DIMENSIONS: mm		TOLERANCES UNLESS OTHERWISE SPECIFIED:		DWG: B. WEAVER 12OCT2015		CHK: G. BAILEY 12OCT2015		APVD: G. BAILEY 12OCT2015		NAME: Ocean Side Feed Applicator	
0 PLC ±		1 PLC ±		2 PLC ±		3 PLC ±		4 PLC ±		SIZE: A1	
ANGLES		FINISH		WEIGHT		SCALE: 1:2		SHEET: 3 OF 4		REV: C	

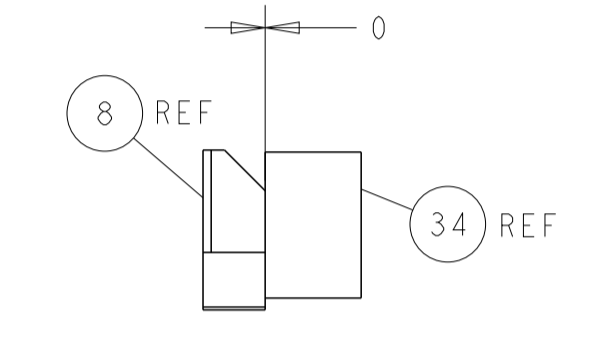
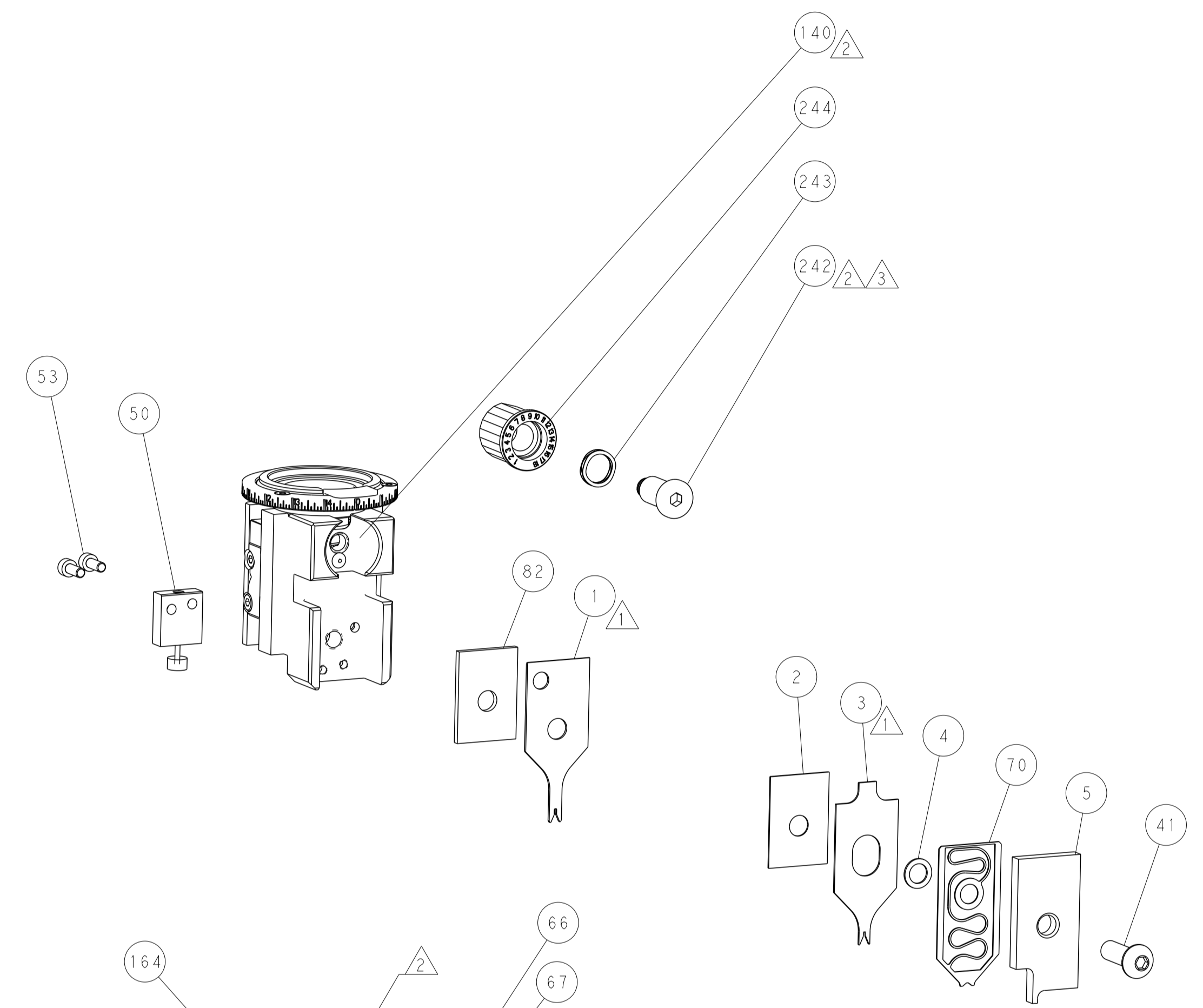
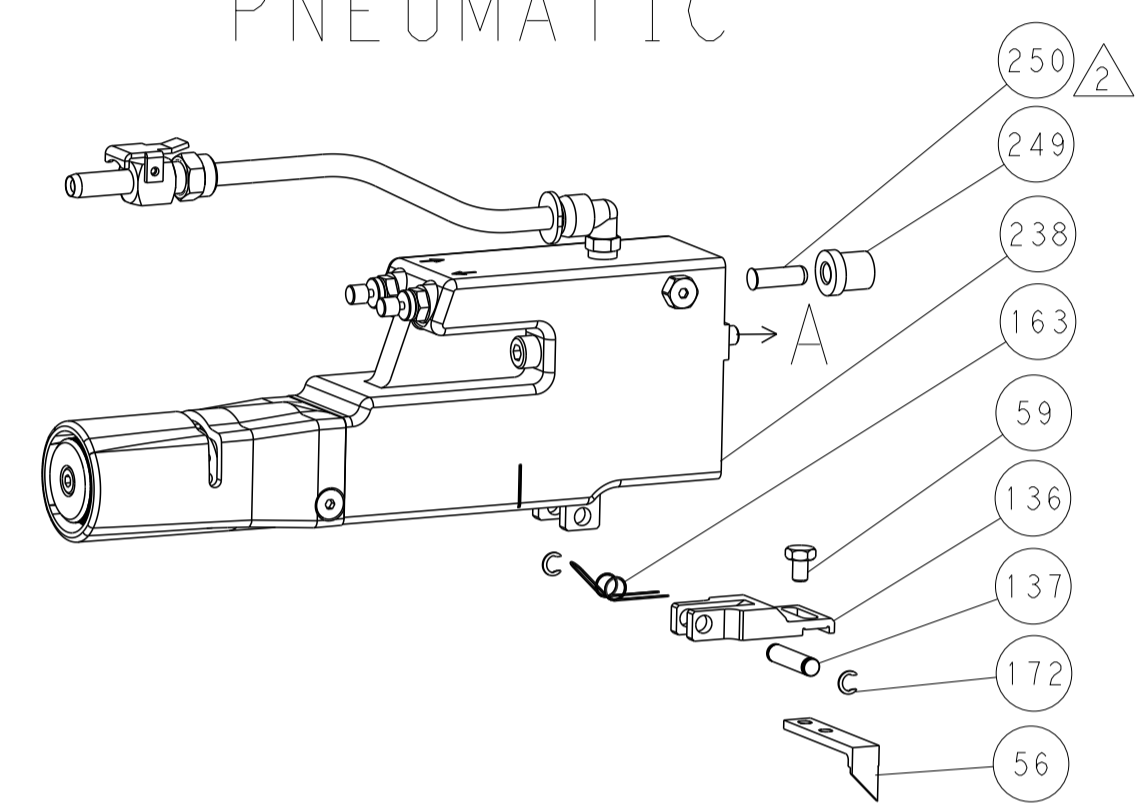
Customer Accessible Production Drawing

LOC	DIST	REVISIONS					
A	66	P	LTN	DESCRIPTION	DATE	DWN	APVD
		-		SEE SHEET 1	-	-	-

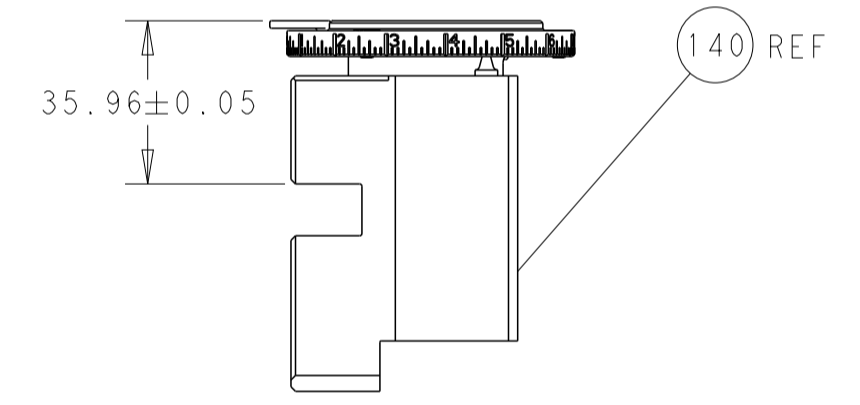
# FEED TYPE MECHANICAL



# PNEUMATIC

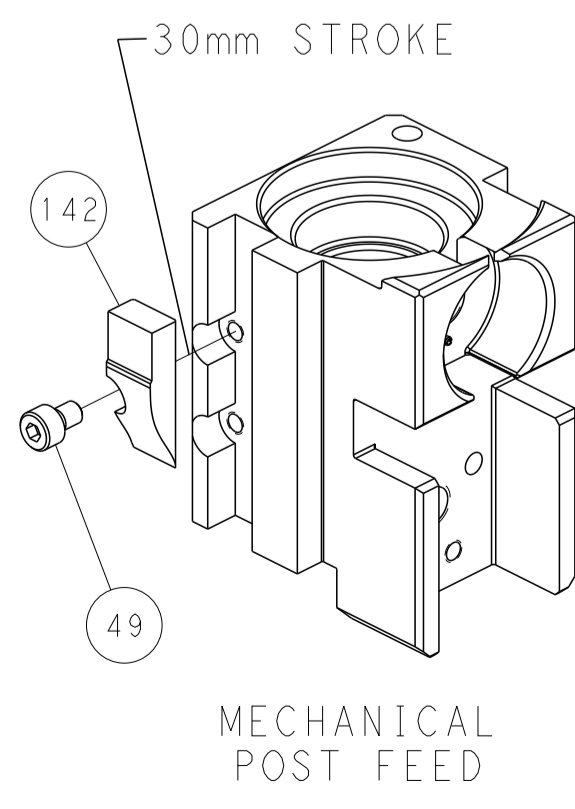


TERMINAL SUPPORT LOCATION

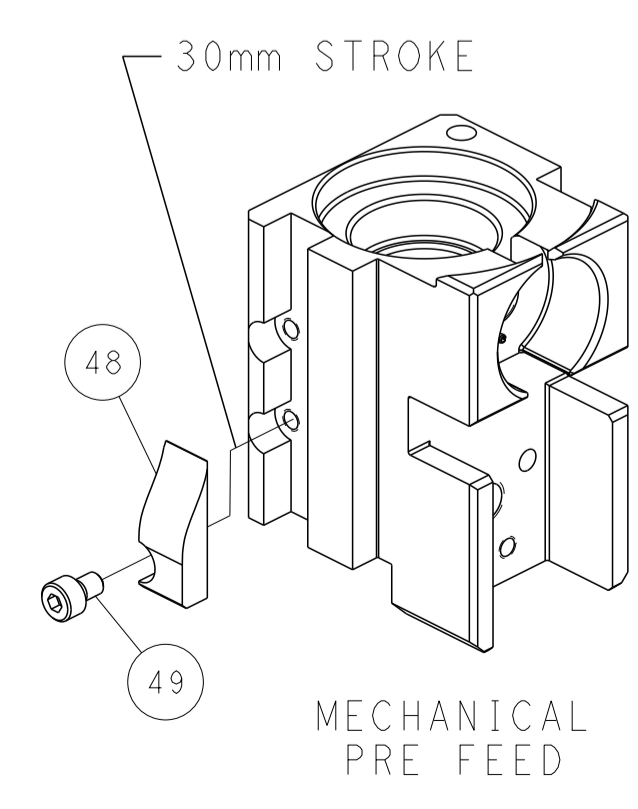


RAM SET-UP

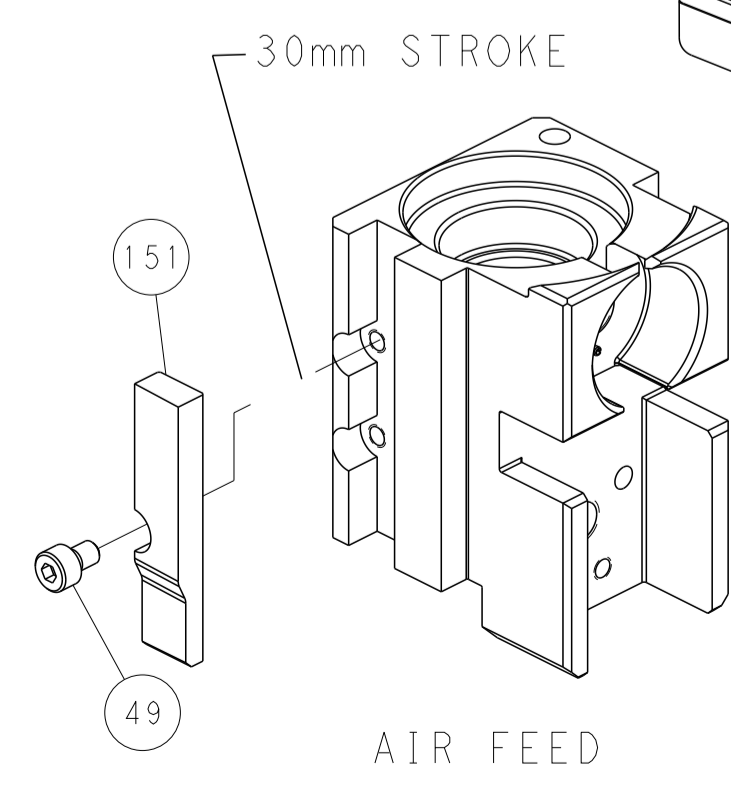
# CAM POSITIONS



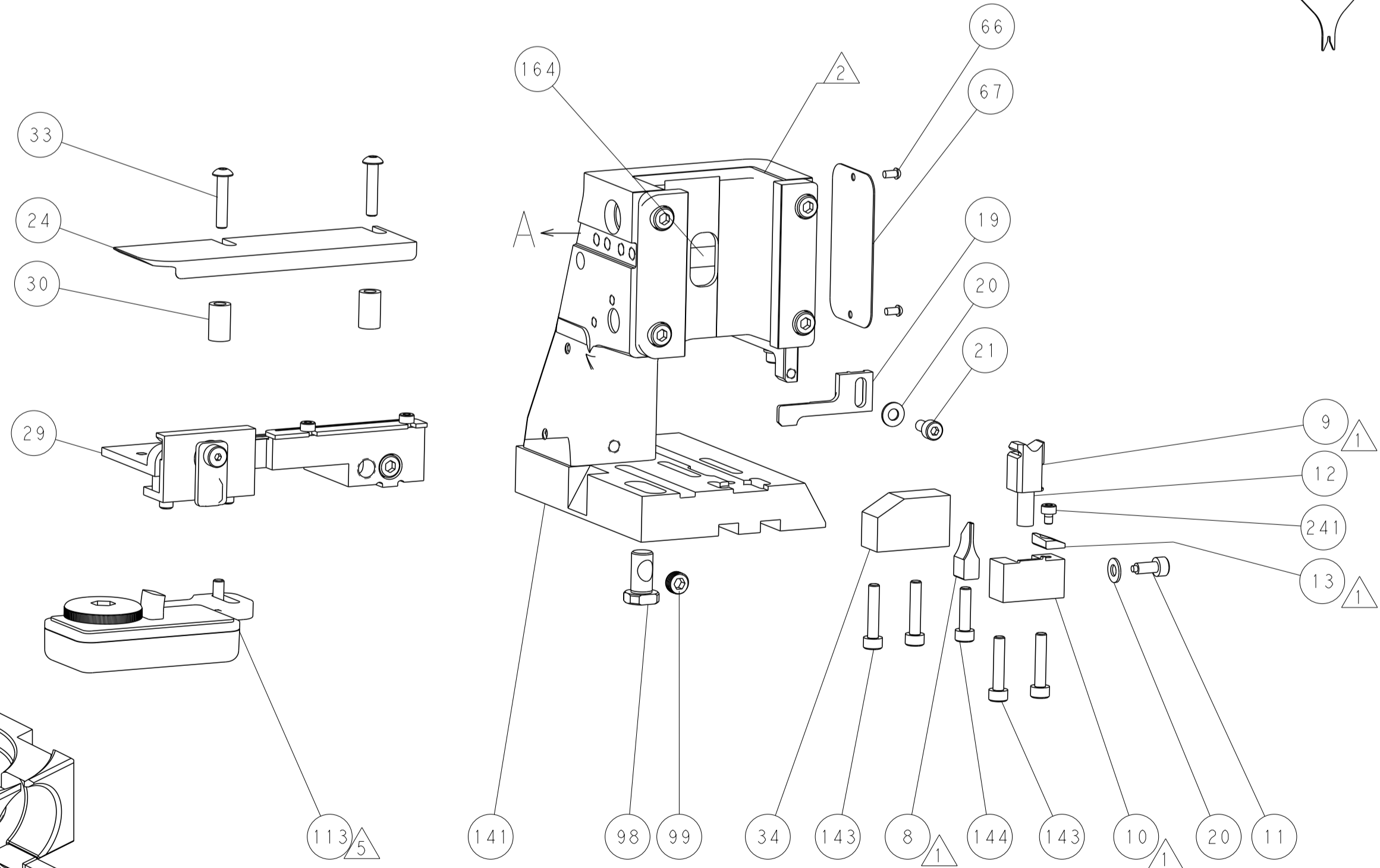
MECHANICAL  
POST FEED



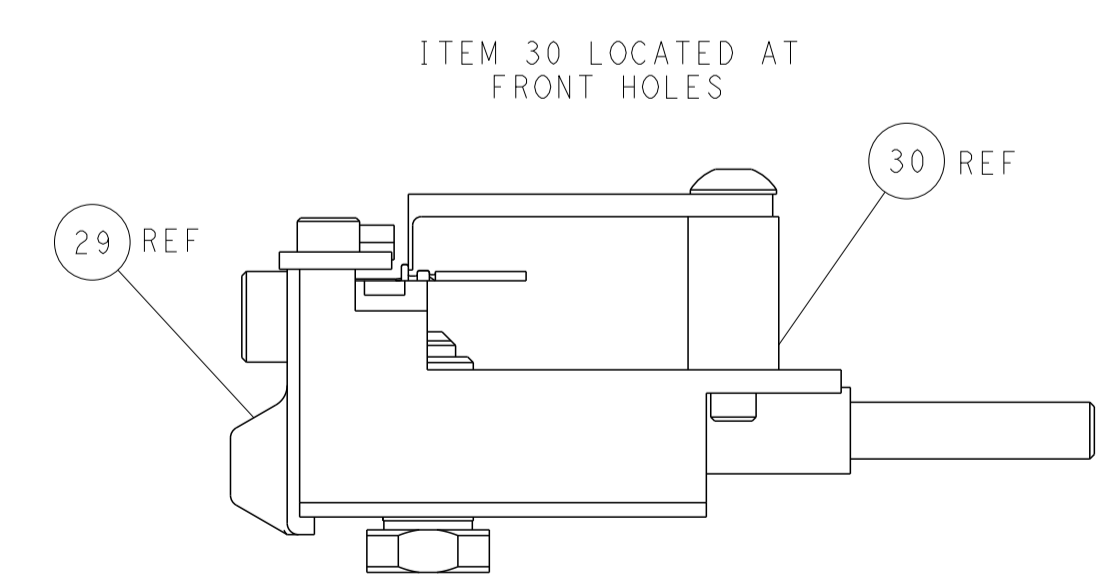
MECHANICAL  
PRE FEED



AIR FEED



**PACIFIC VERSION**  
 Shown on sheets 3 of 4 & 4 of 4  
 (Atlantic version shown on sheets 1 of 4 & 2 of 4)



FEED TRACK POSITION  
GUIDE BY INSULATION BARREL

<small>THIS DRAWING IS UNPUBLISHED. RELEASED FOR PUBLICATION 2015. ALL RIGHTS RESERVED. THIS DRAWING IS CONTROLLED DOCUMENT. THE INFORMATION CONTAINED HEREIN IS UNCLASSIFIED EXCEPT WHERE SHOWN OTHERWISE. THIS INFORMATION IS THE PROPERTY OF TYCO ELECTRONICS CORPORATION. IT IS THE POLICY OF TYCO ELECTRONICS CORPORATION TO CONTROL THE DISSEMINATION OF THIS INFORMATION TO THE EXTENT PERMITTED BY LAW.</small>		DWN: B. WEAVER 12OCT2015 CHK: G. BAILEY 12OCT2015 APVD: G. BAILEY 12OCT2015	TE Connectivity Harrisburg, PA 17105-3608
DIMENSIONS: mm TOLERANCES UNLESS OTHERWISE SPECIFIED: 0 PLC ± 1 PLC ± 2 PLC ± 3 PLC ± 4 PLC ± ANGLES ± FINISH ±		NAME: Ocean Side Feed Applicator APPLICATION SPEC: - SIZE: A1 CAGE CODE: 00779 DRAWING NO: 2836040	RESTRICTED TO: - SCALE: 1:2 SHEET: 4 OF 4 REV: C
MATERIAL: - WEIGHT: -		Customer Accessible Production Drawing	

# Mouser Electronics

Authorized Distributor

Click to View Pricing, Inventory, Delivery & Lifecycle Information:

[TE Connectivity:](#)

[2836040-2](#)