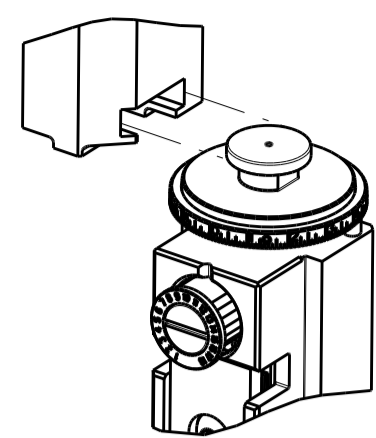


PART NUMBER	REVISION	DESCRIPTION	FEED TYPE
2266901-1	B	FINE CRIMP HEIGHT ADJUST	MECHANICAL
2266901-2	B	FINE CRIMP HEIGHT ADJUST	PNEUMATIC
7-2266901-1	B	MECHANICAL AND CRIMP TOOLING KIT	MECHANICAL
7-2266901-2	B	PNEUMATIC AND CRIMP TOOLING KIT	PNEUMATIC
7-2266901-7	A	CRIMP TOOLING KIT	-

ATLANTIC VERSION TERMINATOR INTERFACE ADAPTER

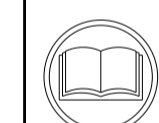


APPLICATOR DATA		
CRIMP	SIZE	TYPE
WIRE	2.54 mm [.100]	F
INSUL	3.48 mm [.137]	F

APPLICATOR INSTRUCTIONS 408-35042

TERMINAL DATA: DELPHI TERMINAL DELPHI PACKARD CRIMP SPECIFICATION			
TERMINAL NAME: TERMINAL			
WIRE STRIP LENGTH	INSULATION DIAMETER RANGE		
4.94-5.70 mm [.194-.224 IN]	Ø1.60-3.10 mm [.063-.122 IN]		
TERMINAL APPLICATION SPECIFICATION 12089951 PAGE 1 of 17 Rev 10/30/13			
TERMINALS APPLIED			
TE TERMINAL	DELPHI TERMINAL	TE TERMINAL	DELPHI TERMINAL
286748-1	12020334	286748-2	12089951

WIRE SIZE	CRIMP HEIGHT mm [INCH]	CRIMP HEIGHT REFERENCE SETTING
0.80mm2	1.30+/-0.05 [.051+/-0.002]	9.9
0.50mm2	1.30+/-0.05 [.051+/-0.002]	9.3



- RECOMMENDED SPARE PARTS
- REFER TO SUPPLIED INSTRUCTION SHEET FOR CLEANING, LUBRICATION AND STORAGE OF APPLICATOR.
- APPLY PART NUMBER 2-23419-6 LOCTITE TO THREADS OF ITEM 242.
- CRIMP HEIGHT REFERENCE SETTING WAS THE SETTING USED WHEN THE APPLICATOR WAS QUALIFIED AT THE FACTORY. ADJUSTMENT MAY BE NECESSARY WHEN RUNNING APPLICATOR IN THE FIELD.
- UNLESS SPECIFIED OTHERWISE TORQUE VALUES SHALL BE USED PER DOCUMENT, 101-35000.

***WARNING**
ON INSTALLATION, SET WIRE DISC TO CRIMP HEIGHT REFERENCE SETTING FOR LARGEST WIRE SIZE. CRIMP HEIGHT REFERENCE SETTINGS GREATER THAN THE VALUE SHOWN MAY CAUSE DAMAGE TO THE CRIMP TOOLING, REFER TO THE INSTRUCTION SHEET FOR PROPER SETUP AND ADJUSTMENTS.

LOC	DIST	REVISIONS			
A	66	REV	DATE	BY	CHK
		A	RELEASED	02SEP2015	LG GB
		B	ECR-18-018830	30NOV2018	FL CT

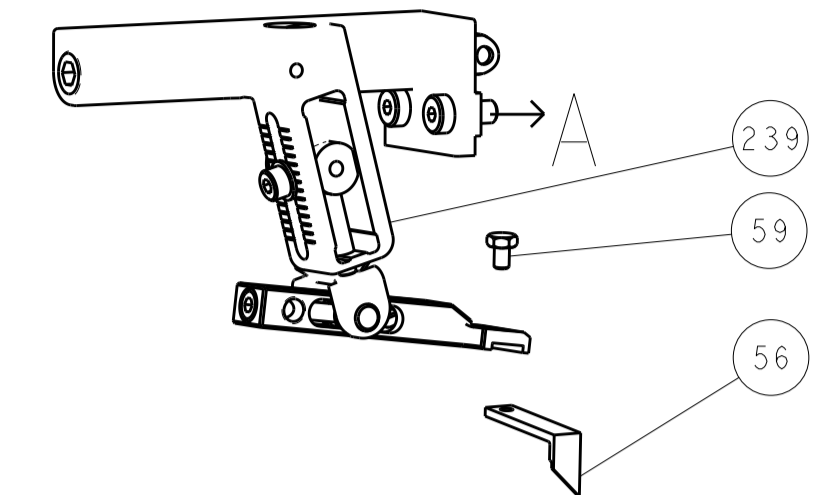
-	1	-	1	-	2119640-1	PUSH ROD, AIR FEED	250	
-	1	-	1	-	1803259-1	BUSHING, FLANGED	249	
-	1	-	1	-	2119641-1	FEED CAM, AIR FEED	248	
-	1	1	1	1	2119082-4	CAM, SNAIL, INSULATION ADJUSTMENT	244	
-	1	1	1	1	2079764-1	WASHER, WAVE SPRING, CREST-TO-CREST	243	
-	1	1	1	1	2119083-1	RETAINER, INSULATION DIAL	242	
-	1	1	1	1	7-18023-7	SCR, SKT HD CAP M3 X 4.0	241	
-	-	1	-	1	2119580-1	MECHANICAL FEED ASSEMBLY	239	
-	1	-	1	-	2063440-1	AIR FEED MODULE	238	
-	2	-	2	-	21045-3	RING, RETAIN, EXTERN, 3/16 CRESCENT	172	
-	REF	REF	REF	REF	994970-2	COUNTER, MAGNETIC	164	
-	1	-	1	-	240638-1	SPRING, FEED FINGER	163	
-	1	-	1	-	3-23627-7	PIN, RETAIN, GRVD, 3/16 X .854	137	
-	1	-	1	-	2119799-1	HOLDER, FEED FINGER, AF	136	
-	1	1	1	1	2844908-1	SCREW, LOCKING	99	
-	1	1	1	1	2844907-1	POST, LOCKING	98	
-	1	1	1	1	455888-5	SPACER, CRIMPER	82	
-	1	1	1	1	1803607-1	DOCUMENTATION PACKAGE	71	
-	1	1	1	1	2119740-1	TAG, IDENTIFICATION	67	
-	2	2	2	2	2168078-1	SCREW, DRIVE, RH, RoHS, 2 x .188	66	
-	1	1	1	1	2168083-2	SCR, SKT HD CAP, RoHS, M4 X 8.0	60	
-	1	1	1	1	5-18022-5	SCR, HEX HD CAP, M4 X 6.0	59	
-	1	1	1	1	1338683-8	FEED PAWL	56	
-	4	4	4	4	2168083-3	SCR, SKT HD CAP, RoHS, M4 X 12.0	54	
-	2	2	2	2	2168083-8	SCR, SKT HD CAP, RoHS, M4 X 16	53	
-	1	1	1	1	5018030-1	NUT, HEX, REG, RoHS, M3	52	
-	1	1	1	1	811242-5	BUMPER, HOLD DOWN	51	
-	1	1	1	1	690753-2	SPACER, TONKER	50	
-	1	2	1	2	18023-9	SCR, SKT HD CAP M4 X 6.0	49	
-	-	1	-	1	2119652-1	FEED CAM, PRE FEED	48	
-	-	1	-	1	2119653-1	FEED CAM, POST FEED	47	
-	1	1	1	1	1803583-9	APPLICATOR BASIC ASSEMBLY, SF	46	
-	1	1	1	1	1803515-1	RAM ASSEMBLY, SF ATLANTIC	44	
-	1	1	1	1	1803602-1	SCR, BHSC, RoHS (M8 X 25)	41	
-	1	1	1	1	1752356-3	SUPPORT, TERMINAL	34	
-	2	2	2	2	2079383-5	SCR, BHSC, RoHS (M4 X 20)	33	
-	2	2	2	2	2-2844962-8	SPACER, CYLINDRICAL, STRIP GUIDE	30	
-	1	1	1	1	2844992-1	ASSEMBLY, STRIP GUIDE	29	
-	1	1	1	1	455888-3	SPACER, CRIMPER	28	
-	1	1	1	1	1320928-6	STRIP GUIDE	24	
-	1	1	1	1	2168083-2	SCR, SKT HD CAP, RoHS, M4 X 8.0	21	
-	2	2	2	2	1-18028-2	WASHER, FLAT, REG M4	20	
-	1	1	1	1	2119533-1	STRIPPER, SIDE FEED	19	
-	1	1	1	1	2119806-1	INSERT, SHEAR	13	
-	1	1	1	1	3-22280-3	SPRING, COMPRESSION	12	
-	1	1	1	1	1-356885-4	STOP, SHEAR	11	
-	1	1	1	1	2119805-1	SHEAR HOLDER, FRONT	10	
-	1	1	1	1	1803095-1	FLOATING SHEAR, FRONT	9	
-	1	2	2	1	1	3-1633922-2	ANVIL, COMBINATION	8
-	1	1	1	1	2-240641-9	SPACER	7	
-	-	-	-	-	-	-	6	
-	1	1	1	1	2119757-8	DEPRESSOR, SHEAR	5	
-	1	1	1	1	4-238011-5	BLOCK, CRIMPER SPACER	4	
-	1	2	2	1	1	3-1803016-0	CRIMPER, INSULATION F	3
-	1	1	1	1	1-455888-0	SPACER, CRIMPER	2	
-	1	2	2	1	1	3-456407-6	CRIMPER, WIRE PREMIUM	1
-	77	-72	-71	-2	-1	PART NO	DESCRIPTION	ITEM NO

ATLANTIC VERSION
Shown on sheets 1 of 4 & 2 of 4
(Pacific version shown on sheets 3 of 4 & 4 of 4)

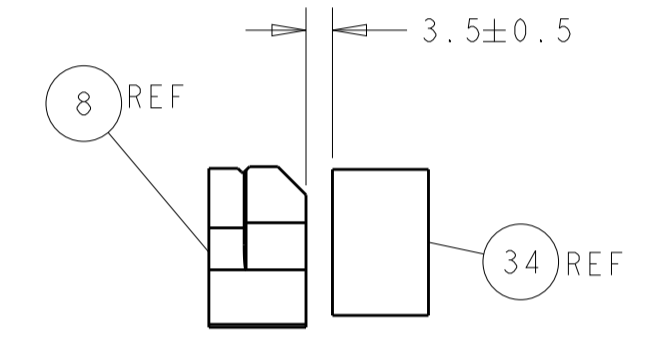
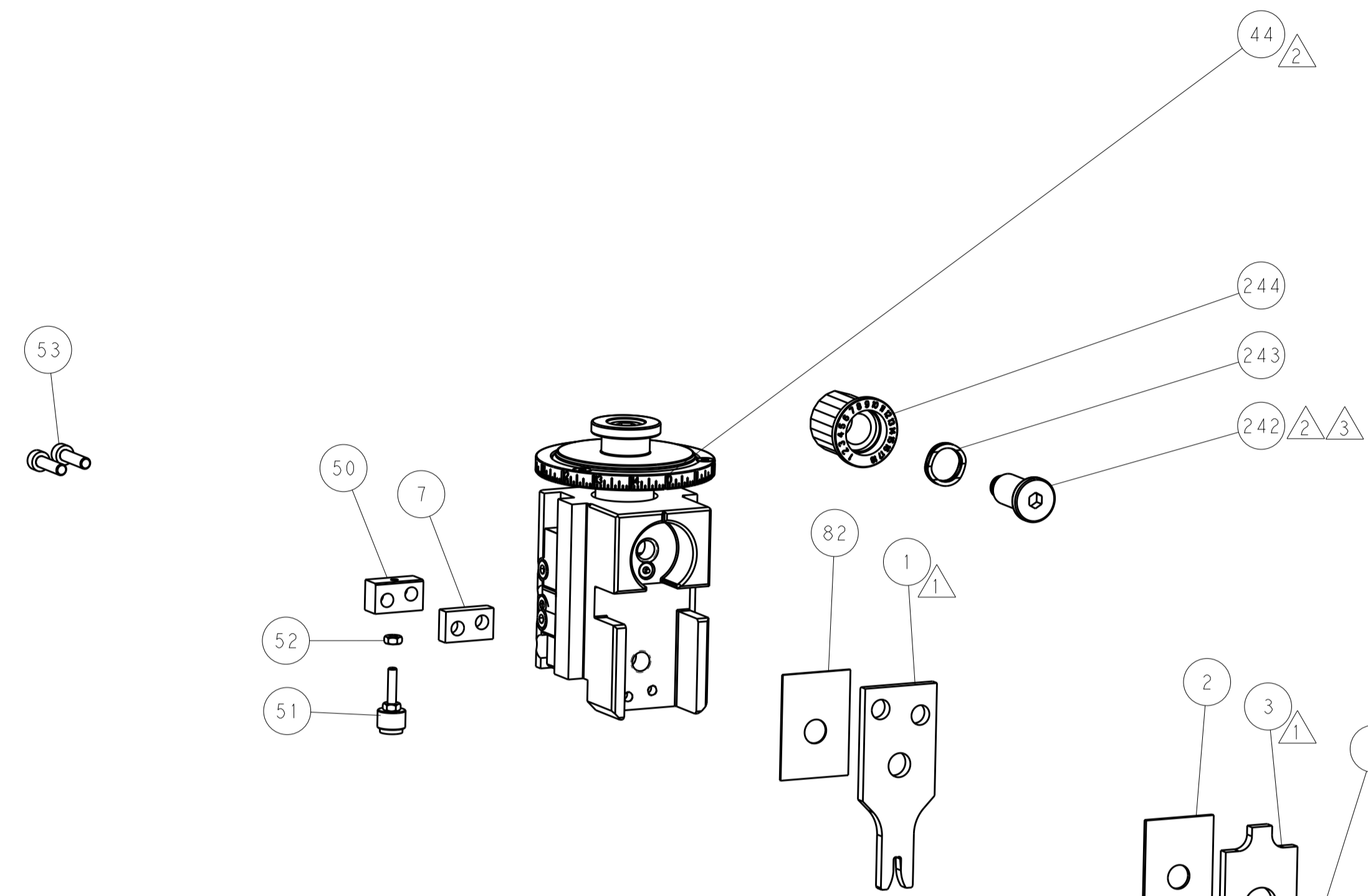
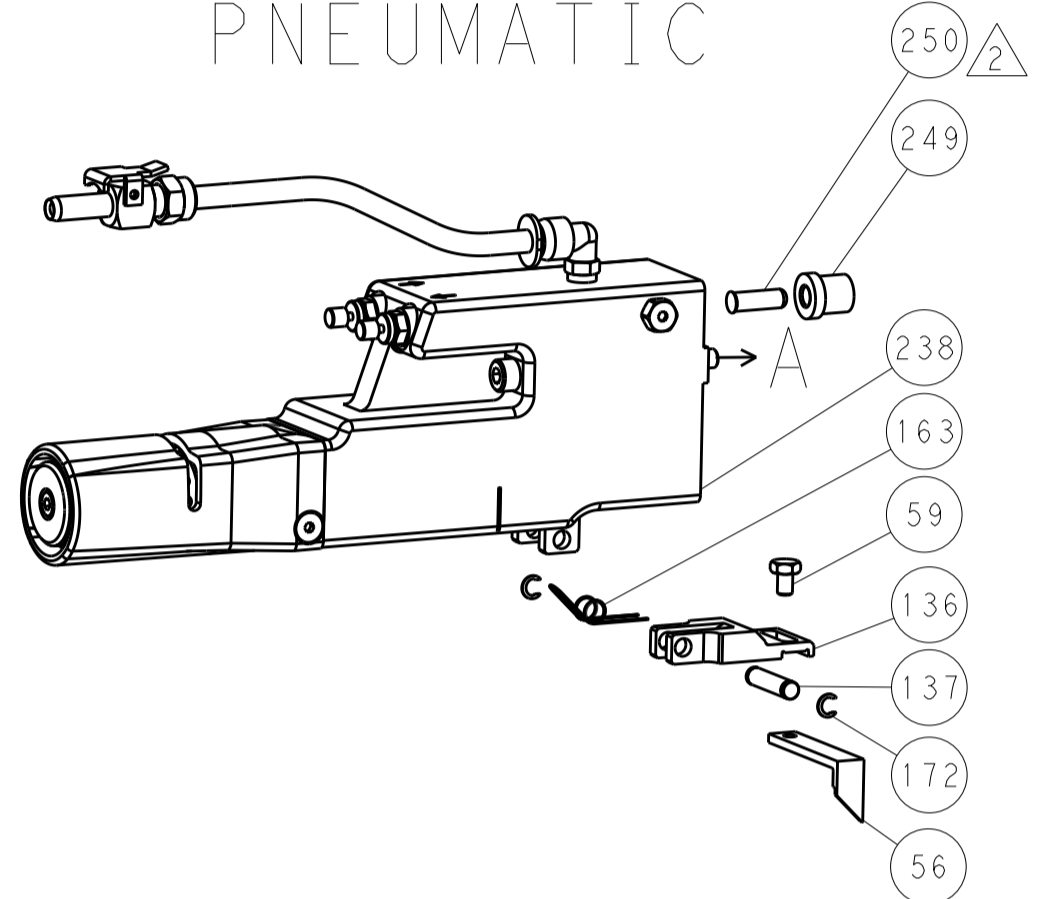
DIMENSIONS:		TOLERANCES UNLESS OTHERWISE SPECIFIED:		MATERIAL:		FINISH:	
mm	0 PLC ±	1 PLC ±	2 PLC ±	3 PLC ±	4 PLC ±	ANGLES ±	FINISH ±
MATERIAL:		FINISH:		WEIGHT:		SCALE:	
Customer Accessible Production Drawing		SCALE: 1:2		SHEET 1 OF 4		REV B	

LOC		DIST		REVISIONS			
A	66	P	LTM	DESCRIPTION	DATE	DWN	APVD
		-		SEE SHEET 1			

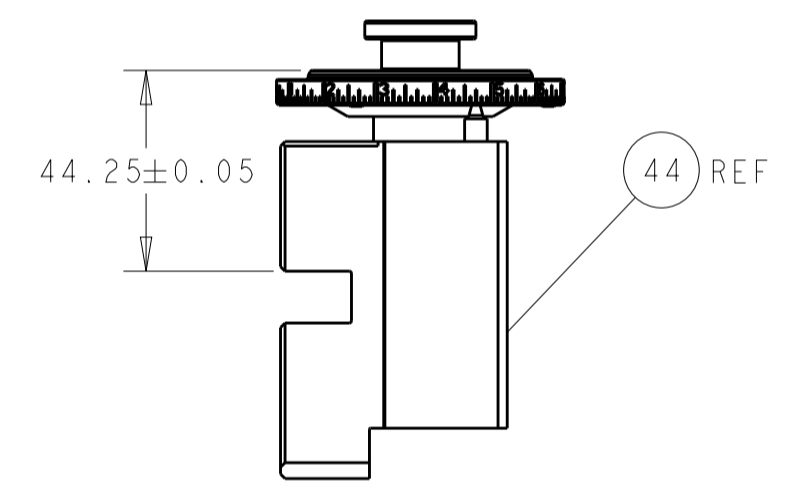
FEED TYPE MECHANICAL



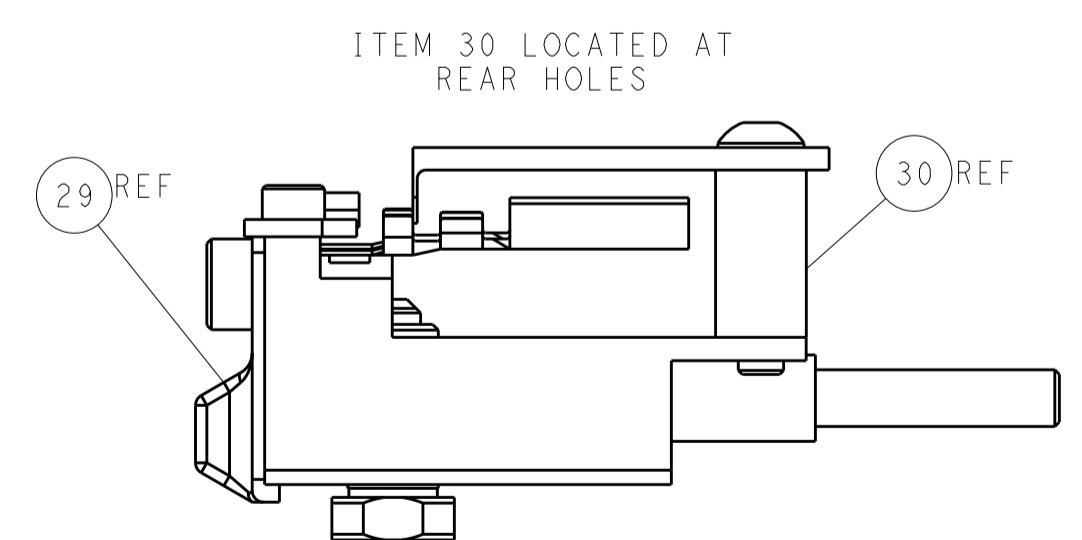
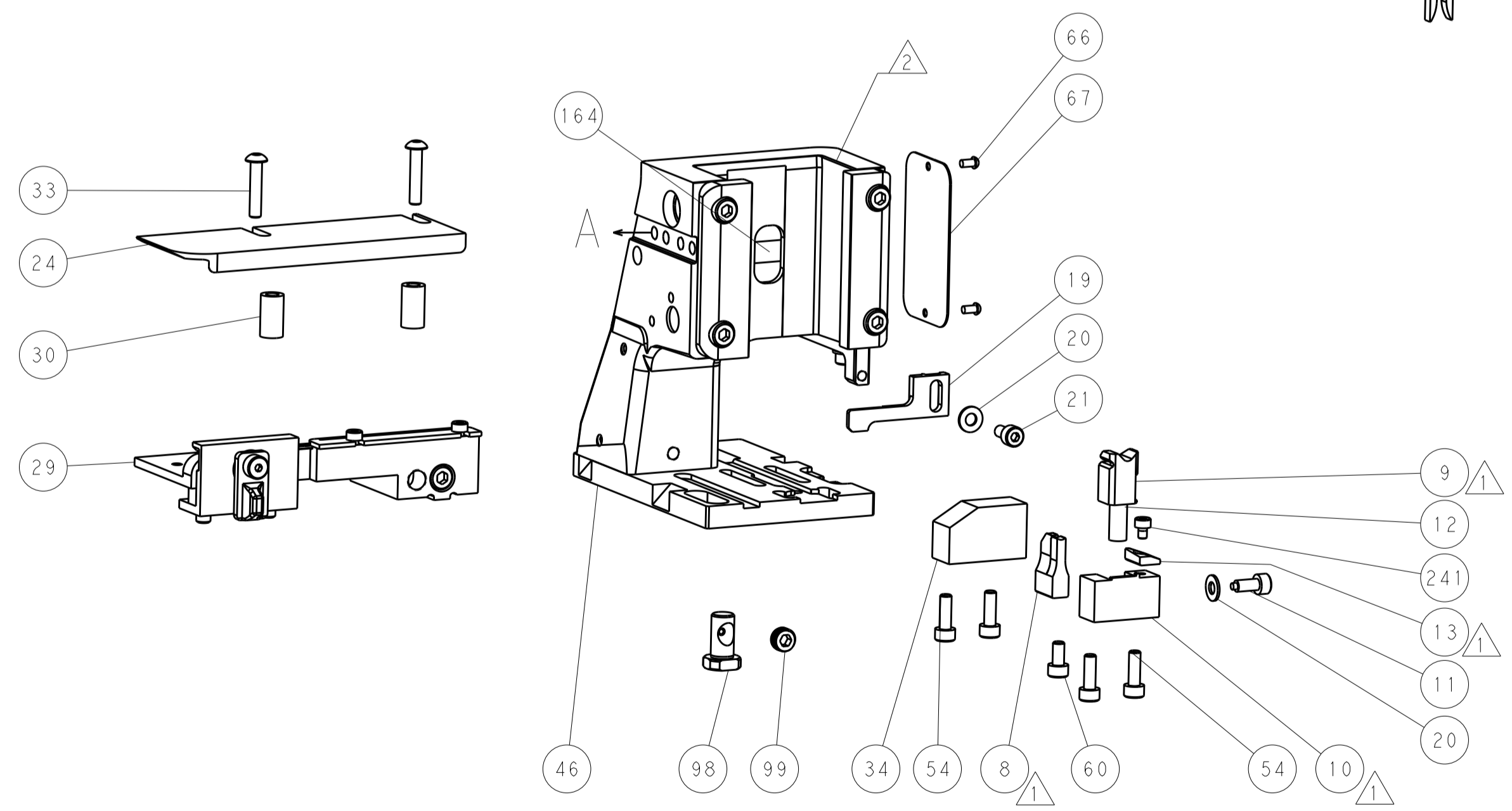
PNEUMATIC



TERMINAL SUPPORT LOCATION



RAM SET-UP



ITEM 30 LOCATED AT REAR HOLES

CAM POSITIONS



ATLANTIC VERSION
 Shown on sheets 1 of 4 & 2 of 4
 (Pacific version shown on sheets 3 of 4 & 4 of 4)

DIMENSIONS:		TOLERANCES UNLESS OTHERWISE SPECIFIED:		DWN: X.ZHAO 07AUG2015		TE Connectivity	
mm	0 PLC ±	1 PLC ±	2 PLC ±	3 PLC ±	4 PLC ±	Harrisburg, PA 17105-3608	
MATERIAL:		FINISH:		CHK: L.ZHANG 07AUG2015		NAME: Ocean Side Feed Applicator	
				APVD: H.GUO 07AUG2015		SIZE: CAGE CODE: DRAWING NO: A1 00779 ©=2266901	
				PRODUCT SPEC:		RESTRICTED TO:	
				APPLICATION SPEC:		Customer Accessible Production Drawing	
				WEIGHT:		SCALE: 1:2 SHEET 2 OF 4 REV B	

PART NUMBER	REVISION	DESCRIPTION	FEED TYPE
2-2266901-1	B	FINE CRIMP HEIGHT ADJUST	MECHANICAL
2-2266901-2	B	FINE CRIMP HEIGHT ADJUST	PNEUMATIC
7-2266901-7	A	CRIMP TOOLING KIT	-

PACIFIC VERSION TERMINATOR
INTERFACE ADAPTER



APPLICATOR DATA		
CRIMP	SIZE	TYPE
WIRE	2.54 mm [.100]	F
INSUL	3.48 mm [.137]	F

APPLICATOR INSTRUCTIONS
408-35042

TERMINAL DATA: DELPHI TERMINAL DELPHI PACKARD CRIMP SPECIFICATION	
TERMINAL NAME: TERMINAL	
WIRE STRIP LENGTH 4.94-5.70 mm [.194-.224 IN]	INSULATION DIAMETER RANGE Ø1.60-3.10 mm [.063-.122 IN]
TERMINAL APPLICATION SPECIFICATION 12089951 PAGE 1 of 17 Rev 10/30/13	
TERMINALS APPLIED	
TE TERMINAL	DELPHI TERMINAL
286748-1	12020334
TE TERMINAL	DELPHI TERMINAL
286748-2	12089951

WIRE SIZE	CRIMP HEIGHT mm [INCH]	CRIMP HEIGHT REFERENCE SETTING
0.80mm2	1.30+/-0.05 [.051+/-0.002]	9.9
0.50mm2	1.30+/-0.05 [.051+/-0.002]	9.3

- 1 RECOMMENDED SPARE PARTS
- 2 REFER TO SUPPLIED INSTRUCTION SHEET FOR CLEANING, LUBRICATION AND STORAGE OF APPLICATOR.
- 3 APPLY PART NUMBER 2-23419-6 LOCTITE TO THREADS OF ITEM 242.
- 4 CRIMP HEIGHT REFERENCE SETTING WAS THE SETTING USED WHEN THE APPLICATOR WAS QUALIFIED AT THE FACTORY. ADJUSTMENT MAY BE NECESSARY WHEN RUNNING APPLICATOR IN THE FIELD.
- 5. UNLESS SPECIFIED OTHERWISE TORQUE VALUES SHALL BE USED PER DOCUMENT, 101-35000.

***WARNING**
ON INSTALLATION, SET WIRE DISC TO CRIMP HEIGHT REFERENCE SETTING FOR LARGEST WIRE SIZE. CRIMP HEIGHT REFERENCE SETTINGS GREATER THAN THE VALUE SHOWN MAY CAUSE DAMAGE TO THE CRIMP TOOLING, REFER TO THE INSTRUCTION SHEET FOR PROPER SETUP AND ADJUSTMENTS.

LOC	DIST	REV	DATE	BY	APPD
A	66				

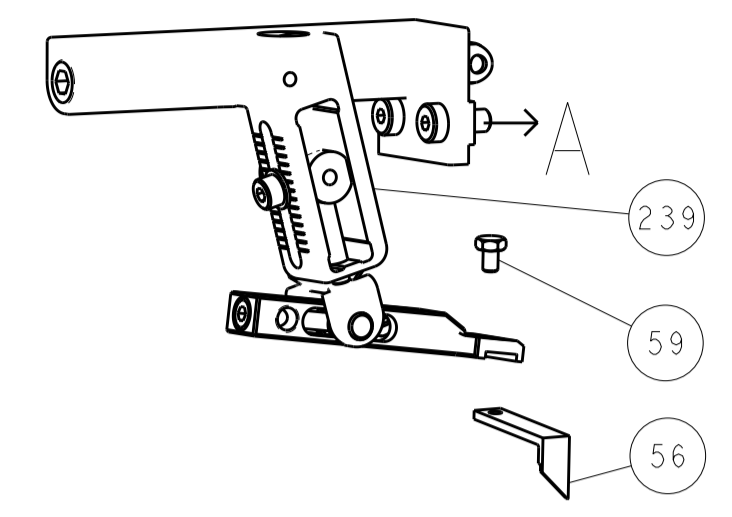
REV	DATE	BY	APPD	DESCRIPTION	ITEM NO	
-	1	-		2119640-1 PUSH ROD, AIR FEED	250	
-	1	-		1803259-1 BUSHING, FLANGED	249	
-	1	1		2119082-4 CAM, SNAIL, INSULATION ADJUSTMENT	244	
-	1	1		2079764-1 WASHER, WAVE SPRING, CREST-TO-CREST	243	
-	1	1		2119083-1 RETAINER, INSULATION DIAL	242	
-	1	1		7-18023-7 SCR, SKT HD CAP M3 X 4.0	241	
-	-	1		2119580-1 MECHANICAL FEED ASSEMBLY	239	
-	1	-		2063440-1 AIR FEED MODULE	238	
-	2	-		21045-3 RING, RETAIN, EXTERN, 3/16 CRESCENT	172	
-	REF	REF		994970-2 COUNTER, MAGNETIC	164	
-	1	-		240638-1 SPRING, FEED FINGER	163	
-	1	-		2119641-2 FEED CAM, AIR FEED	151	
-	1	1		2168083-8 SCR, SKT HD CAP, RoHS, M4 X 16	144	
-	4	4		2168083-9 SCR, SKT HD CAP, RoHS, M4 X 20	143	
-	-	1		2119653-2 FEED CAM, POST FEED	142	
-	1	1		1-1803583-0 APPLICATOR BASIC ASSEMBLY, SF	141	
-	1	1		1803516-1 RAM ASSEMBLY, SF PACIFIC	140	
-	1	-		3-23627-7 PIN, RETAIN, GRVD, 3/16 X .854	137	
-	1	-		2119799-1 HOLDER, FEED FINGER, AF	136	
-	1	1		2844908-1 SCREW, LOCKING	99	
-	1	1		2844907-1 POST, LOCKING	98	
-	1	1		455888-5 SPACER, CRIMPER	82	
-	1	1		1803607-1 DOCUMENTATION PACKAGE	71	
-	1	1		2119740-1 TAG, IDENTIFICATION	67	
-	2	2		2168078-1 SCREW, DRIVE, RH, RoHS, 2 x .188	66	
-	1	1		5-18022-5 SCR, HEX HD CAP, M4 X 6.0	59	
-	1	1		1338683-8 FEED PAWL	56	
-	2	2		2168083-8 SCR, SKT HD CAP, RoHS, M4 X 16	53	
-	1	1		5018030-1 NUT, HEX, REG, RoHS, M3	52	
-	1	1		811242-5 BUMPER, HOLD DOWN	51	
-	1	1		690753-2 SPACER, TONKER	50	
-	1	2		18023-9 SCR, SKT HD CAP M4 X 6.0	49	
-	-	1		2119652-1 FEED CAM, PRE FEED	48	
-	1	1		1803602-1 SCR, BHSC, RoHS (M8 X 25)	41	
-	1	1		1752356-3 SUPPORT, TERMINAL	34	
-	2	2		2079383-5 SCR, BHSC, RoHS (M4 X 20)	33	
-	2	2		2-2844962-8 SPACER, CYLINDRICAL, STRIP GUIDE	30	
-	1	1		2844992-1 ASSEMBLY, STRIP GUIDE	29	
-	1	1		455888-3 SPACER, CRIMPER	28	
-	1	1		1320928-6 STRIP GUIDE	24	
-	1	1		2168083-2 SCR, SKT HD CAP, RoHS, M4 X 8.0	21	
-	2	2		1-18028-2 WASHER, FLAT, REG M4	20	
-	1	1		2119533-1 STRIPPER, SIDE FEED	19	
-	1	1		2119806-1 INSERT, SHEAR	13	
-	1	1		3-22280-3 SPRING, COMPRESSION	12	
-	1	1		1-356885-4 STOP, SHEAR	11	
-	1	1		2119805-1 SHEAR HOLDER, FRONT	10	
-	1	1		1803095-1 FLOATING SHEAR, FRONT	9	
-	1	1		3-1633922-2 ANVIL, COMBINATION	8	
-	1	1		2-240641-9 SPACER	7	
-	-	-		-	6	
-	1	1		2119757-8 DEPRESSOR, SHEAR	5	
-	1	1		4-238011-5 BLOCK, CRIMPER SPACER	4	
-	1	1		3-1803016-0 CRIMPER, INSULATION F	3	
-	1	1		1-455888-0 SPACER, CRIMPER	2	
-	1	1		3-456407-6 CRIMPER, WIRE PREMIUM	1	
-	77	-22	-21	PART NO	DESCRIPTION	ITEM NO

PACIFIC VERSION
Shown on sheets 3 of 4 & 4 of 4
(Atlantic version shown on sheets 1 of 4 & 2 of 4)

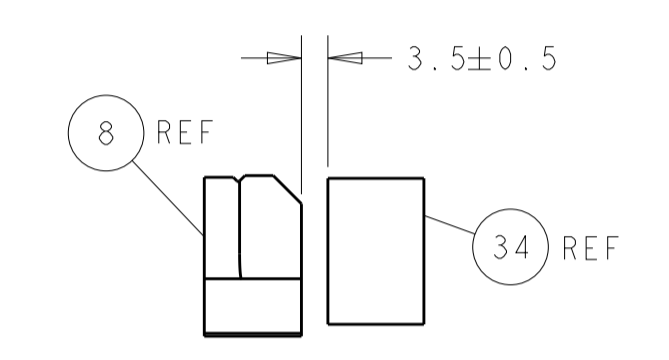
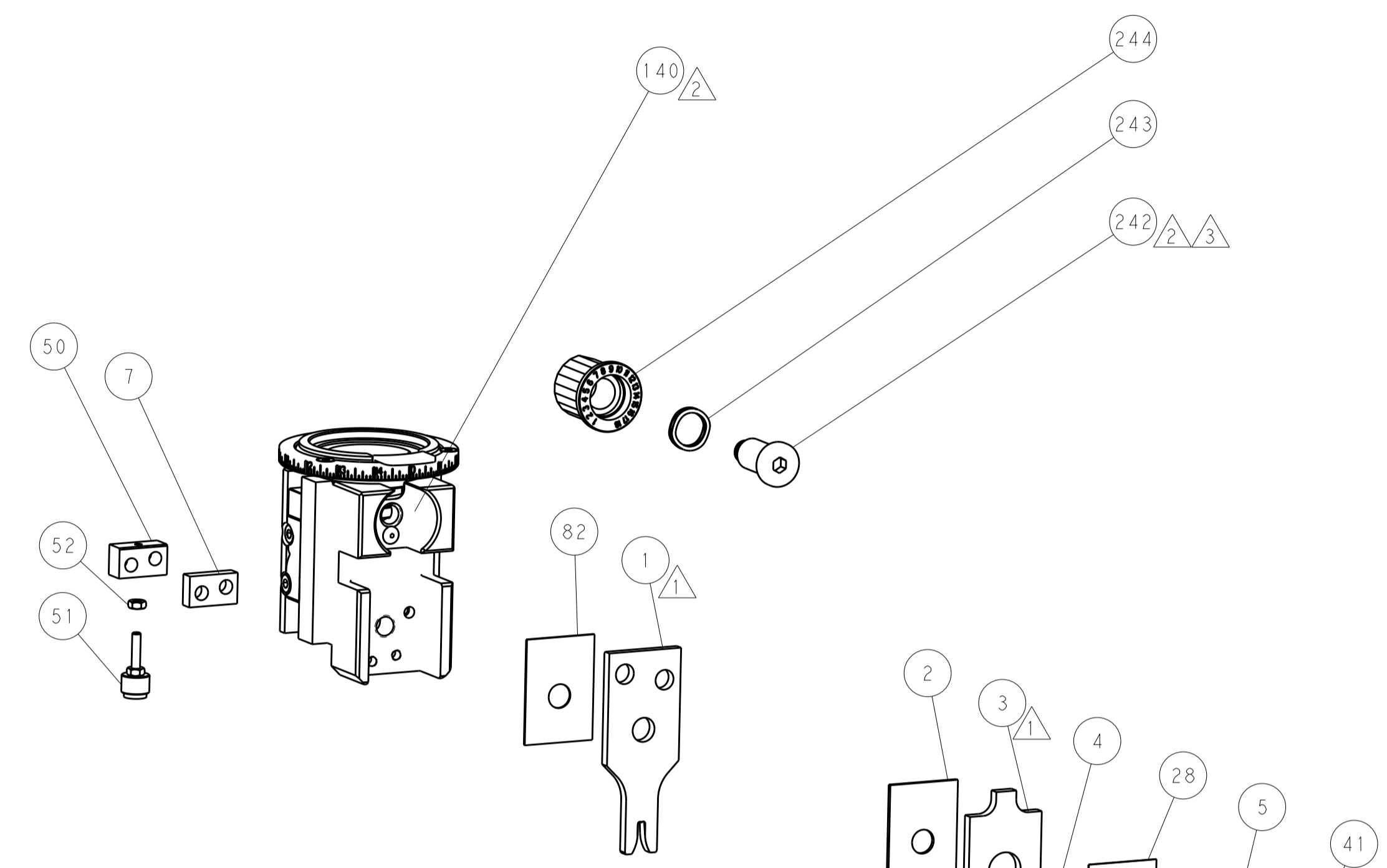
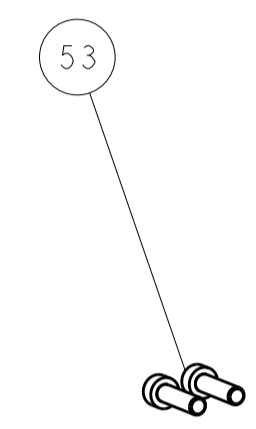
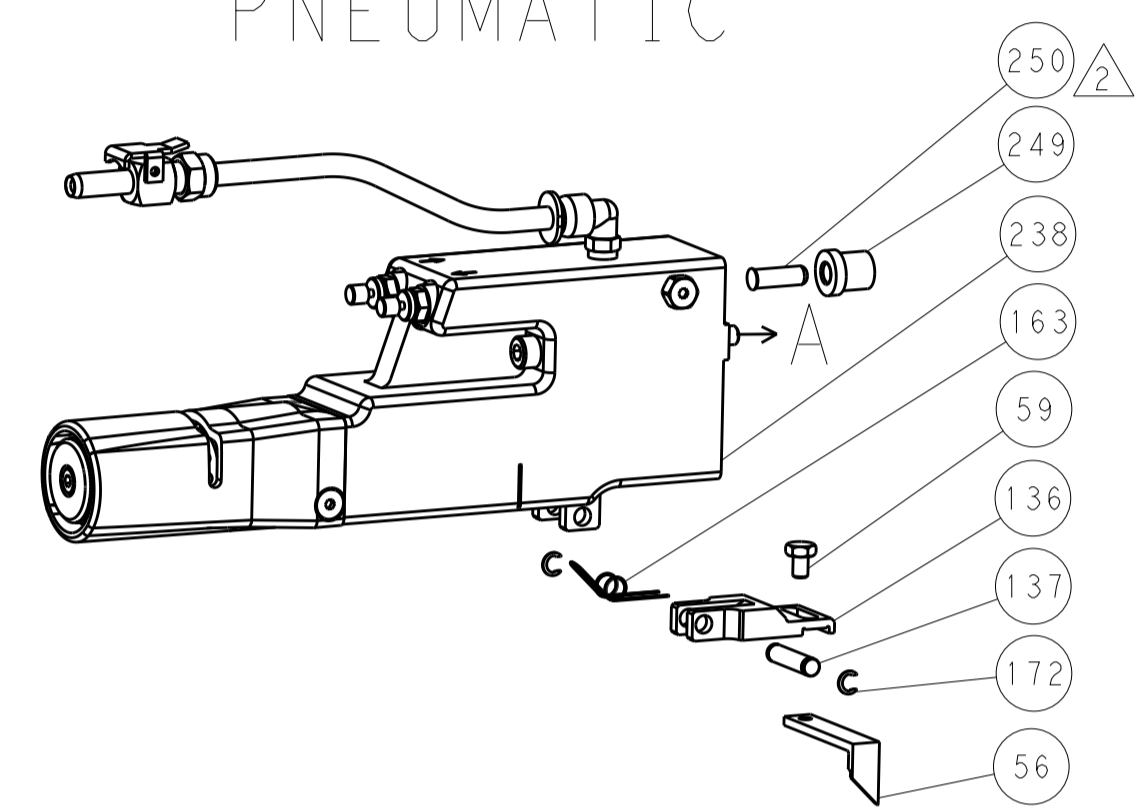
DIMENSIONS: mm		TOLERANCES UNLESS OTHERWISE SPECIFIED:		OWN: X. ZHAO 07AUG2015	TE Connectivity
0 PLC ±		1 PLC ±		CHK: L. ZHANG 07AUG2015	Harrisburg, PA 17105-3608
2 PLC ±		3 PLC ±		APVD: H. GUO 07AUG2015	NAME: Ocean Side Feed Applicator
4 PLC ±		ANGLES ±		PRODUCT SPEC	SIZE: A1
MATERIAL		FINISH		APPLICATION SPEC	CAGE CODE: 00779
				WEIGHT	DRAWING NO: C=2266901
				Customer Accessible Production Drawing	SCALE: 1:2 SHEET 3 OF 4 REV B

LOC		DIST		REVISIONS			
A	66	P	LTM	DESCRIPTION	DATE	DMN	APVD
		-		SEE SHEET 1			

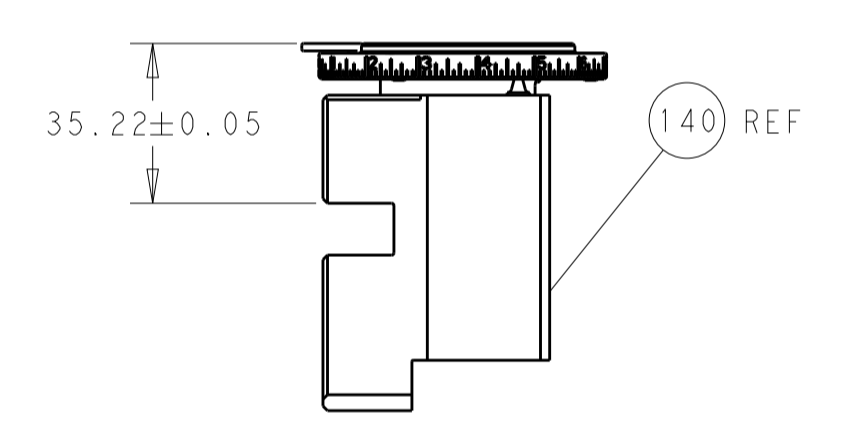
FEED TYPE MECHANICAL



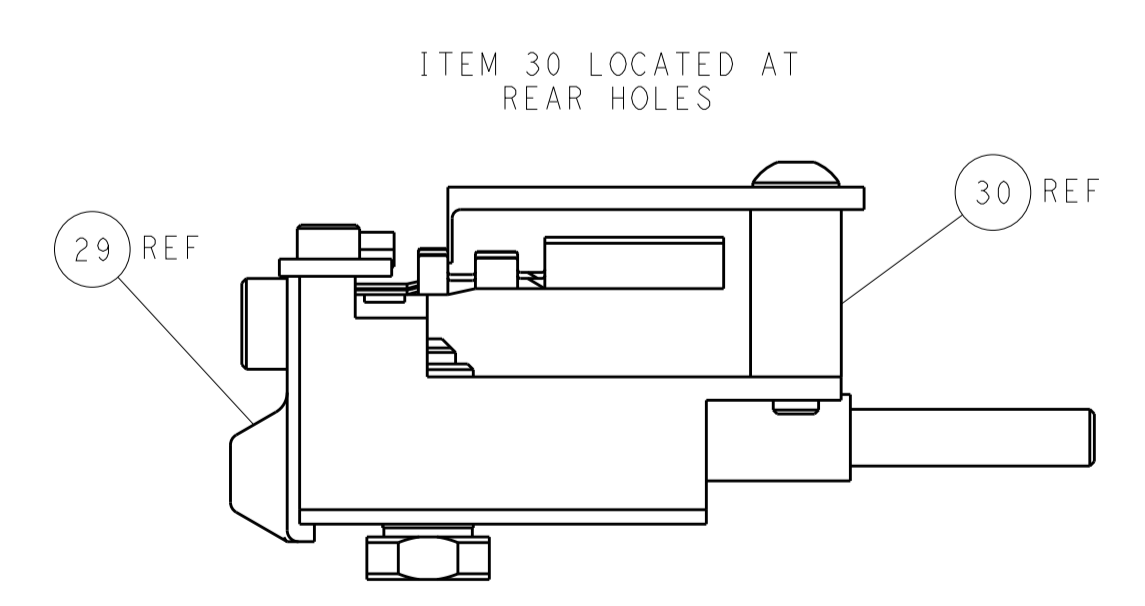
PNEUMATIC



TERMINAL SUPPORT LOCATION



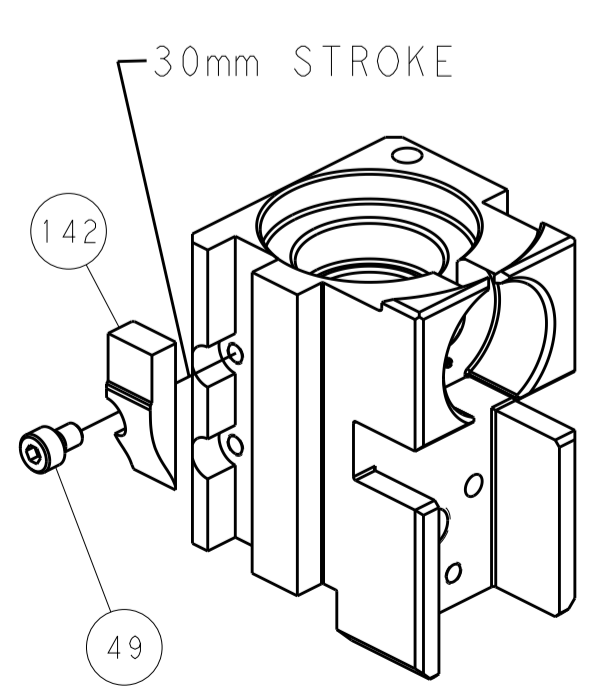
RAM SET-UP



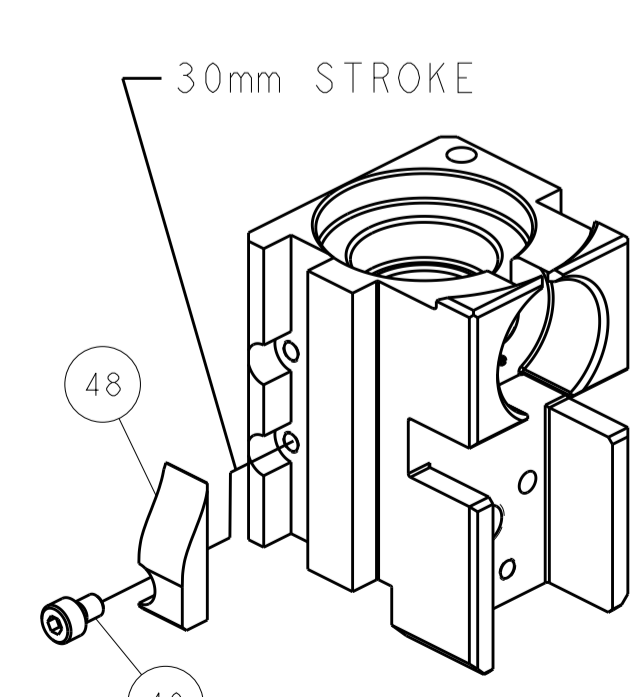
ITEM 30 LOCATED AT REAR HOLES

FEED TRACK POSITION GUIDE BY INSULATION BARREL

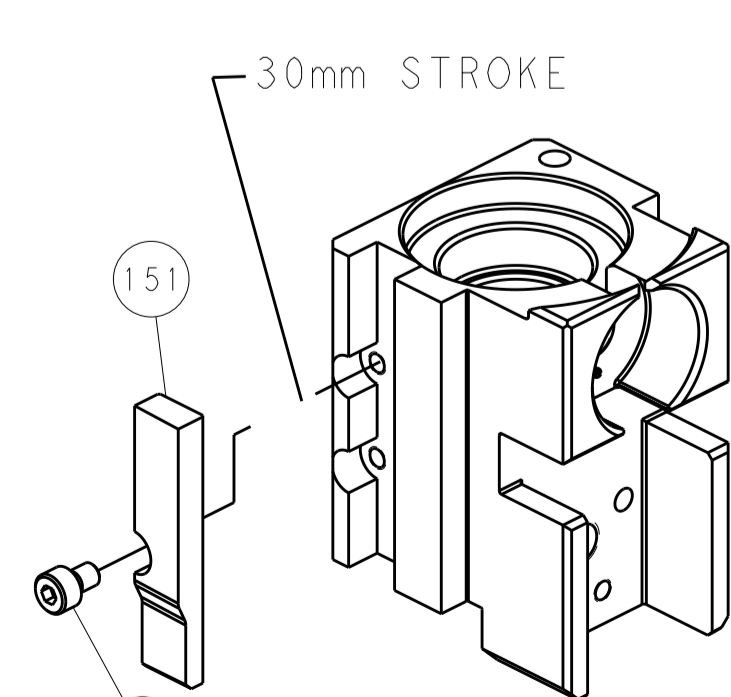
CAM POSITIONS



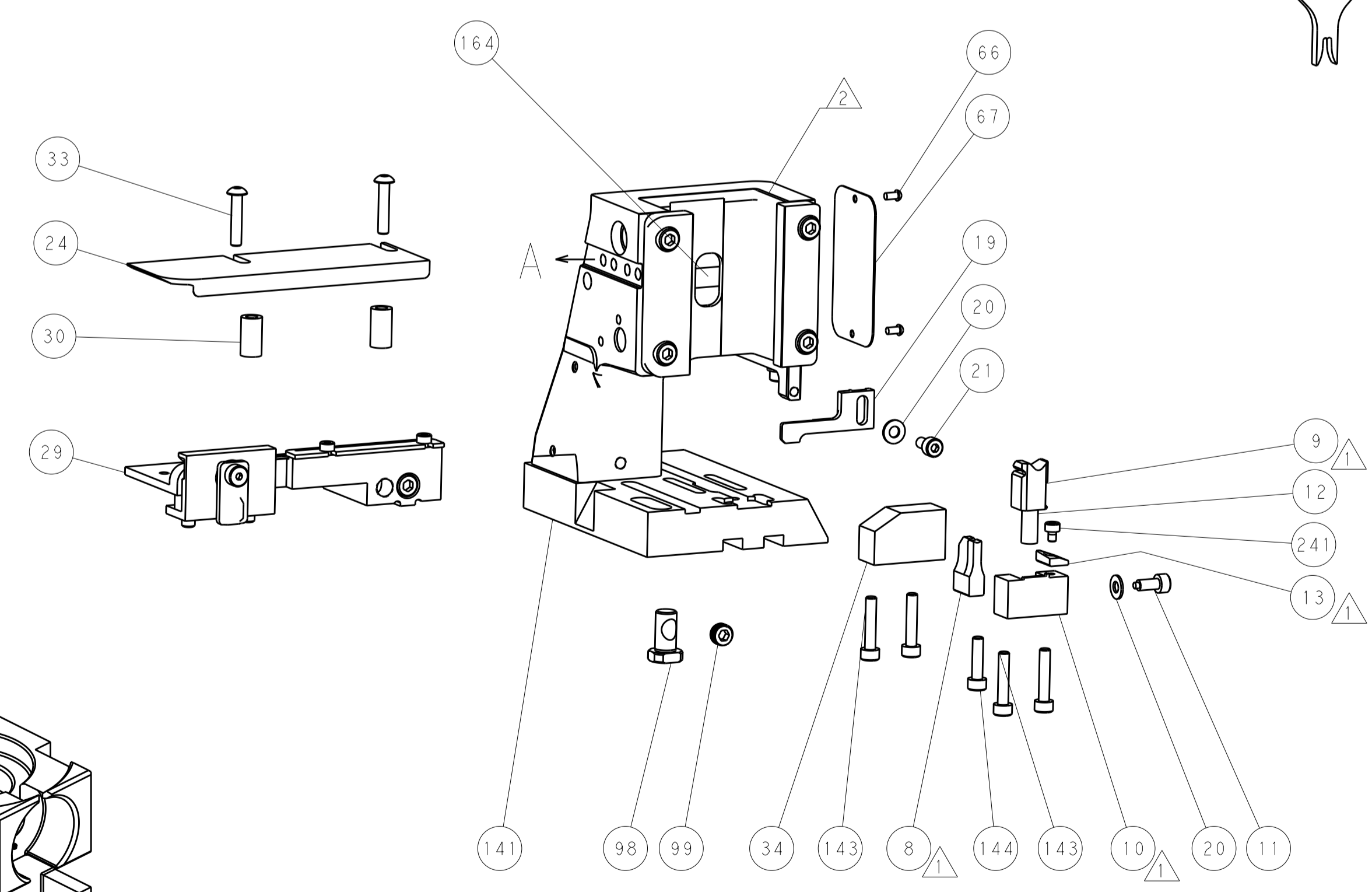
MECHANICAL POST FEED



MECHANICAL PRE FEED



AIR FEED



PACIFIC VERSION
 Shown on sheets 3 of 4 & 4 of 4
 (Atlantic version shown on sheets 1 of 4 & 2 of 4)

DIMENSIONS:		TOLERANCES UNLESS OTHERWISE SPECIFIED:		DWG: X. ZHAO 07AUG2015		NAME: TE Connectivity	
mm	0 PLC ±	1 PLC ±	2 PLC ±	3 PLC ±	4 PLC ±	Harrisburg, PA 17105-3608	
MATERIAL:		FINISH:		CHK: L. ZHANG 07AUG2015		PRODUCT SPEC:	
				APVD: H. GUO 07AUG2015		APPLICATION SPEC:	
				WEIGHT:		SIZE: CAGE CODE: DRAWING NO:	
				Customer Accessible Production Drawing		A1 00779 C=2266901	
				SCALE: 1:2		SHEET 4 OF 4 REV B	

Mouser Electronics

Authorized Distributor

Click to View Pricing, Inventory, Delivery & Lifecycle Information:

[TE Connectivity:](#)

[2266901-1](#)