

| PART NUMBER | REVISION | DESCRIPTION | FEED TYPE |
|-------------|----------|----------------------------------|------------|
| 2266546-1 | B | FINE CRIMP HEIGHT ADJUST | MECHANICAL |
| 2266546-2 | B | FINE CRIMP HEIGHT ADJUST | PNEUMATIC |
| 7-2266546-1 | B | MECHANICAL AND CRIMP TOOLING KIT | MECHANICAL |
| 7-2266546-2 | B | PNEUMATIC AND CRIMP TOOLING KIT | PNEUMATIC |
| 7-2266546-7 | A | CRIMP TOOLING KIT | - |

ATLANTIC VERSION TERMINATOR INTERFACE ADAPTER



| APPLICATOR DATA | | |
|-----------------|----------------|------|
| CRIMP | SIZE | TYPE |
| WIRE | 1.78 mm [.070] | F |
| INSUL | 3.56 mm [.140] | O |

APPLICATOR INSTRUCTIONS
408-35042

| TERMINAL DATA: TE TERMINAL | | TE CRIMP SPECIFICATION | |
|---|------------------------------------|------------------------|-------------|
| TERMINAL NAME: REC, FASTON, PIGGYBACK, .110 SRS | | | |
| WIRE STRIP LENGTH | TERMINAL INSULATION DIAMETER RANGE | | |
| 4.32-4.32 mm [.170-.170 IN] | Ø2.03-3.05 mm [.080-.120 IN] | 5 | |
| TERMINAL APPLICATION SPECIFICATION | 114-2082 | | |
| TERMINALS APPLIED | | | |
| TE TERMINAL | TE TERMINAL | TE TERMINAL | TE TERMINAL |
| 62003-1 | 62003-4 | 63961-1 | 1217083-1 |
| 62003-2 | 63242-1 | 1217145-1 | |

| WIRE SIZE | CRIMP HEIGHT mm [INCH] | CRIMP HEIGHT REFERENCE SETTING |
|-----------|----------------------------|--------------------------------|
| 18 AWG | 1.17+/-0.05 [.046+/- .002] | 5.8 |
| 20 AWG | 1.02+/-0.05 [.040+/- .002] | 7.6 |
| 22 AWG | 0.94+/-0.05 [.037+/- .002] | 8.5 |

- 1 RECOMMENDED SPARE PARTS
- 2 REFER TO SUPPLIED INSTRUCTION SHEET FOR CLEANING, LUBRICATION AND STORAGE OF APPLICATOR.
- 3 APPLY PART NUMBER 2-23419-6 LOCTITE TO THREADS OF ITEM 242.
- 4 CRIMP HEIGHT REFERENCE SETTING WAS THE SETTING USED WHEN THE APPLICATOR WAS QUALIFIED AT THE FACTORY. ADJUSTMENT MAY BE NECESSARY WHEN RUNNING APPLICATOR IN THE FIELD.
- 5 INSULATION RANGE OF 62003 IS .060-.100 IN.
- 6. UNLESS SPECIFIED OTHERWISE TORQUE VALUES SHALL BE USED PER DOCUMENT, 101-35000.

***WARNING**
ON INSTALLATION, SET WIRE DISC TO CRIMP HEIGHT REFERENCE SETTING FOR LARGEST WIRE SIZE. CRIMP HEIGHT REFERENCE SETTINGS GREATER THAN THE VALUE SHOWN MAY CAUSE DAMAGE TO THE CRIMP TOOLING, REFER TO THE INSTRUCTION SHEET FOR PROPER SETUP AND ADJUSTMENTS.

| LOC | DIST | REVISIONS | | | | | |
|-----|------|-----------|-----|---------------|-----------|-----|------|
| | | P | LTN | DESCRIPTION | DATE | OWN | APVD |
| A | 66 | 1 | | DEVELOPMENT | 16OCT2014 | KH | UG |
| | | A | | RELEASED | 20NOV2014 | RK | GB |
| | | B | | ECR-19-001127 | 23JAN2019 | FJ | YY |

| | | | | | | | | |
|---|-----|-----|-----|-----|-------------|-------------------------------------|-------------|---------|
| - | 1 | - | 1 | - | 2119640-1 | PUSH ROD, AIR FEED | 250 | |
| - | 1 | - | 1 | - | 1803259-1 | BUSHING, FLANGED | 249 | |
| - | 1 | - | 1 | - | 2119641-1 | FEED CAM, AIR FEED | 248 | |
| - | 1 | 1 | 1 | 1 | 2119082-3 | CAM, SNAIL, INSULATION ADJUSTMENT | 244 | |
| - | 1 | 1 | 1 | 1 | 2079764-1 | WASHER, WAVE SPRING, CREST-TO-CREST | 243 | |
| - | 1 | 1 | 1 | 1 | 2119083-1 | RETAINER, INSULATION DIAL | 242 | |
| - | 1 | 1 | 1 | 1 | 7-18023-7 | SCR, SKT HD CAP M3 X 4.0 | 241 | |
| - | - | 1 | - | 1 | 2119580-1 | MECHANICAL FEED ASSEMBLY | 239 | |
| - | 1 | - | 1 | - | 2063440-1 | AIR FEED MODULE | 238 | |
| - | 2 | - | 2 | - | 21045-3 | RING, RETAIN, EXTERN, 3/16 CRESCENT | 172 | |
| - | REF | REF | REF | REF | 994970-2 | COUNTER, MAGNETIC | 164 | |
| - | 1 | - | 1 | - | 240638-1 | SPRING, FEED FINGER | 163 | |
| - | 1 | - | 1 | - | 3-23627-7 | PIN, RETAIN, GRVD, 3/16 X .854 | 137 | |
| - | 1 | - | 1 | - | 2119799-1 | HOLDER, FEED FINGER, AF | 136 | |
| - | 1 | 1 | 1 | 1 | 2844908-1 | SCREW, LOCKING | 99 | |
| - | 1 | 1 | 1 | 1 | 2844907-1 | POST, LOCKING | 98 | |
| - | 1 | 1 | 1 | 1 | 455888-5 | SPACER, CRIMPER | 82 | |
| - | 1 | 1 | 1 | 1 | 1803607-1 | DOCUMENTATION PACKAGE | 71 | |
| - | 1 | 1 | 1 | 1 | 2119740-1 | TAG, IDENTIFICATION | 67 | |
| - | 2 | 2 | 2 | 2 | 2168078-1 | SCREW, DRIVE, RH, RoHS, 2 x .188 | 66 | |
| - | 1 | 1 | 1 | 1 | 2168083-2 | SCR, SKT HD CAP, RoHS, M4 X 8.0 | 60 | |
| - | 1 | 1 | 1 | 1 | 5-18022-5 | SCR, HEX HD CAP, M4 X 6.0 | 59 | |
| - | 1 | 1 | 1 | 1 | 1338685-1 | PAWL, FEED | 56 | |
| - | 2 | 2 | 2 | 2 | 2168083-3 | SCR, SKT HD CAP, RoHS, M4 X 12.0 | 54 | |
| - | 2 | 2 | 2 | 2 | 1-2168083-0 | SCR, SKT HD CAP, RoHS, M4 X 10 | 53 | |
| - | 1 | 1 | 1 | 1 | 5018030-1 | NUT, HEX, REG, RoHS, M3 | 52 | |
| - | 1 | 1 | 1 | 1 | 811242-5 | BUMPER, HOLD DOWN | 51 | |
| - | 1 | 1 | 1 | 1 | 690753-2 | SPACER, TONKER | 50 | |
| - | 1 | 2 | 1 | 2 | 18023-9 | SCR, SKT HD CAP M4 X 6.0 | 49 | |
| - | - | 1 | - | 1 | 2119652-1 | FEED CAM, PRE FEED | 48 | |
| - | - | 1 | - | 1 | 2119653-1 | FEED CAM, POST FEED | 47 | |
| - | 1 | 1 | 1 | 1 | 1803583-9 | APPLICATOR BASIC ASSEMBLY, SF | 46 | |
| - | 1 | 1 | 1 | 1 | 1803515-1 | RAM ASSEMBLY, SF ATLANTIC | 44 | |
| - | 1 | 1 | 1 | 1 | 1803602-1 | SCR, BHSC, RoHS (M8 X 25) | 41 | |
| - | 2 | 2 | 2 | 2 | 2079383-5 | SCR, BHSC, RoHS (M4 X 20) | 33 | |
| - | 2 | 2 | 2 | 2 | 2-2844962-6 | SPACER, CYLINDRICAL, STRIP GUIDE | 30 | |
| - | 1 | 1 | 1 | 1 | 2844992-1 | ASSEMBLY, STRIP GUIDE | 29 | |
| - | 1 | 1 | 1 | 1 | 455888-3 | SPACER, CRIMPER | 28 | |
| - | 1 | 1 | 1 | 1 | 1320928-2 | STRIP GUIDE | 24 | |
| - | 1 | 1 | 1 | 1 | 2168083-2 | SCR, SKT HD CAP, RoHS, M4 X 8.0 | 21 | |
| - | 2 | 2 | 2 | 2 | 1-18028-2 | WASHER, FLAT, REG M4 | 20 | |
| - | 1 | 1 | 1 | 1 | 2119533-1 | STRIPPER, SIDE FEED | 19 | |
| - | 1 | 1 | 1 | 1 | 2119806-1 | INSERT, SHEAR | 13 | |
| - | 1 | 1 | 1 | 1 | 3-22280-3 | SPRING, COMPRESSION | 12 | |
| - | 1 | 1 | 1 | 1 | 1-356885-4 | STOP, SHEAR | 11 | |
| - | 1 | 1 | 1 | 1 | 2119805-1 | SHEAR HOLDER, FRONT | 10 | |
| - | 1 | 1 | 1 | 1 | 1803095-1 | FLOATING SHEAR, FRONT | 9 | |
| 1 | 2 | 2 | 1 | 1 | 6-1333203-8 | ANVIL, COMBINATION | 8 | |
| - | - | - | - | - | - | - | 7 | |
| - | - | - | - | - | - | - | 6 | |
| - | 1 | 1 | 1 | 1 | 2119757-4 | DEPRESSOR, SHEAR | 5 | |
| - | 1 | 1 | 1 | 1 | 238011-4 | BLOCK, CRIMPER SPACER | 4 | |
| 1 | 2 | 2 | 1 | 1 | 1803018-8 | CRIMPER, INSULATION O | 3 | |
| - | 1 | 1 | 1 | 1 | 455888-6 | SPACER, CRIMPER | 2 | |
| 1 | 2 | 2 | 1 | 1 | 1-456404-8 | CRIMPER, WIRE PREMIUM | 1 | |
| - | 77 | -72 | -71 | -2 | -1 | PART NO | DESCRIPTION | ITEM NO |

ATLANTIC VERSION
Shown on sheets 1 of 4 & 2 of 4
(Pacific version shown on sheets 3 of 4 & 4 of 4)

| DIMENSIONS: | | TOLERANCES UNLESS OTHERWISE SPECIFIED: | | MATERIAL: | | FINISH: | |
|-------------|---------|--|---------|-----------|---------|----------|--|
| mm | 0 PLC ± | 1 PLC ± | 2 PLC ± | 3 PLC ± | 4 PLC ± | ANGLES ± | |
| | | | | | | | |

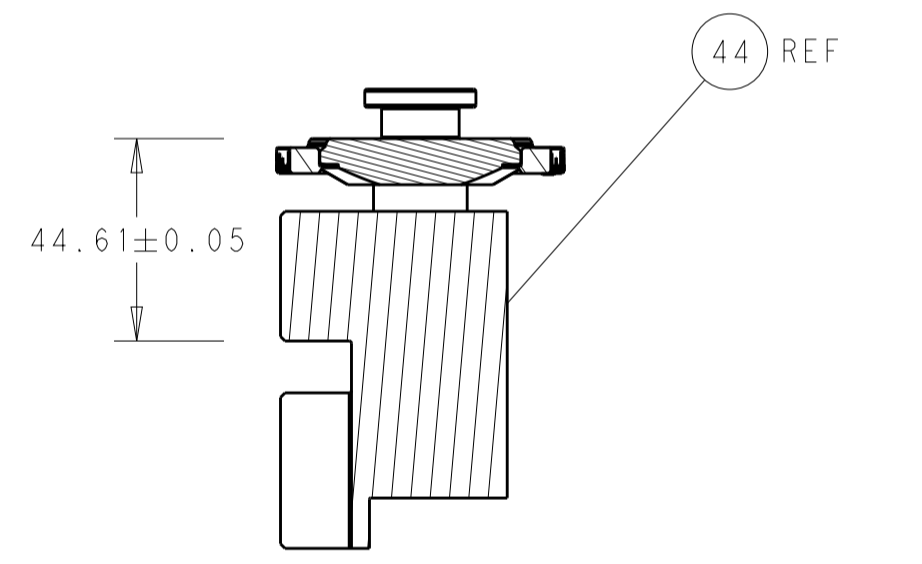
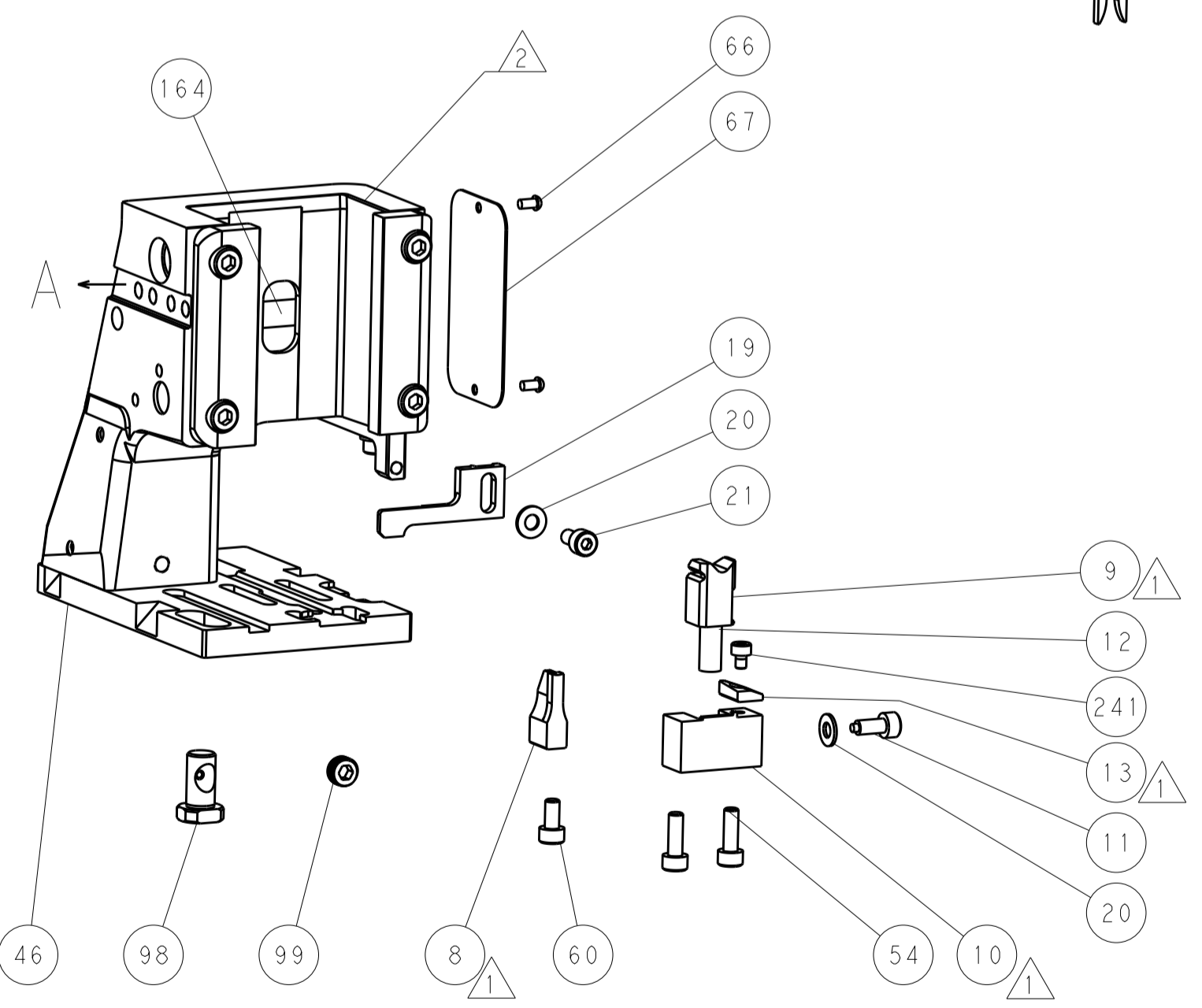
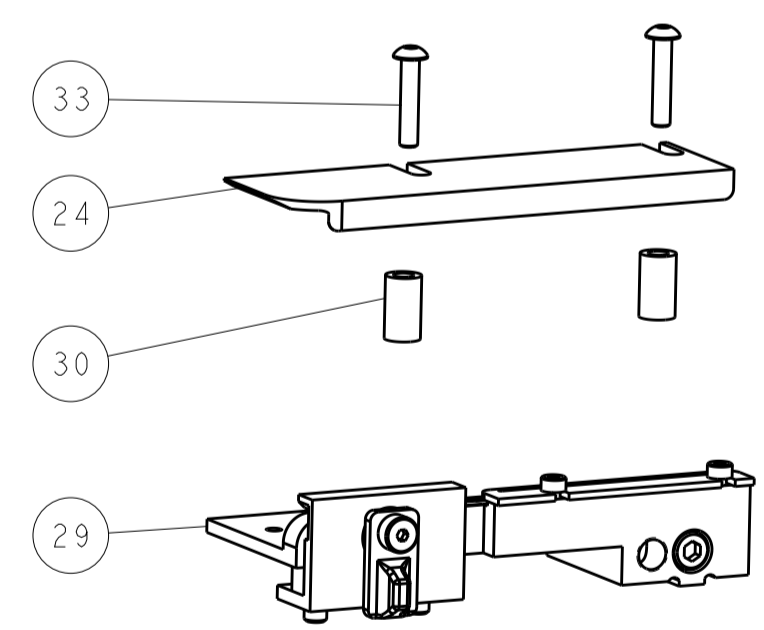
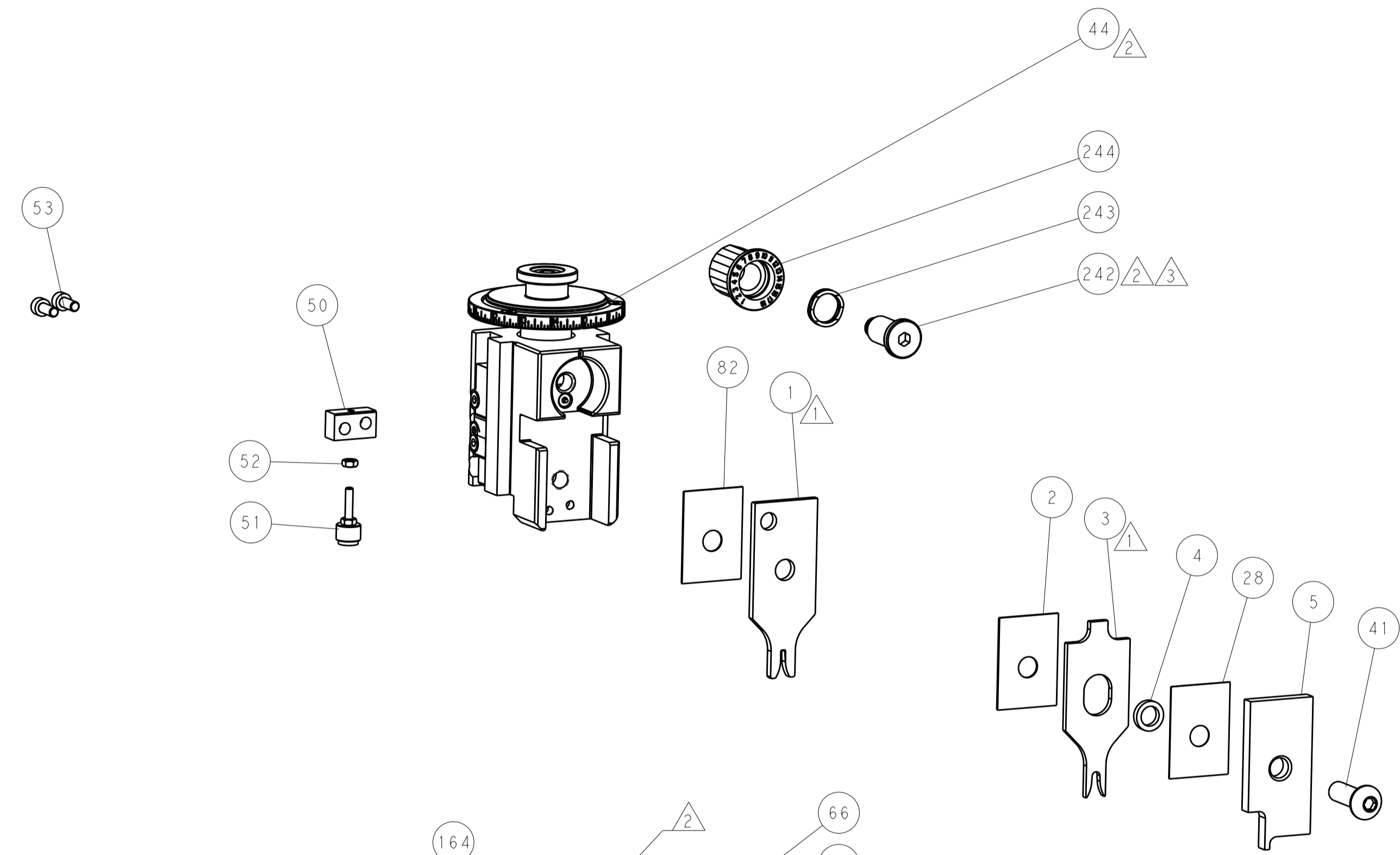
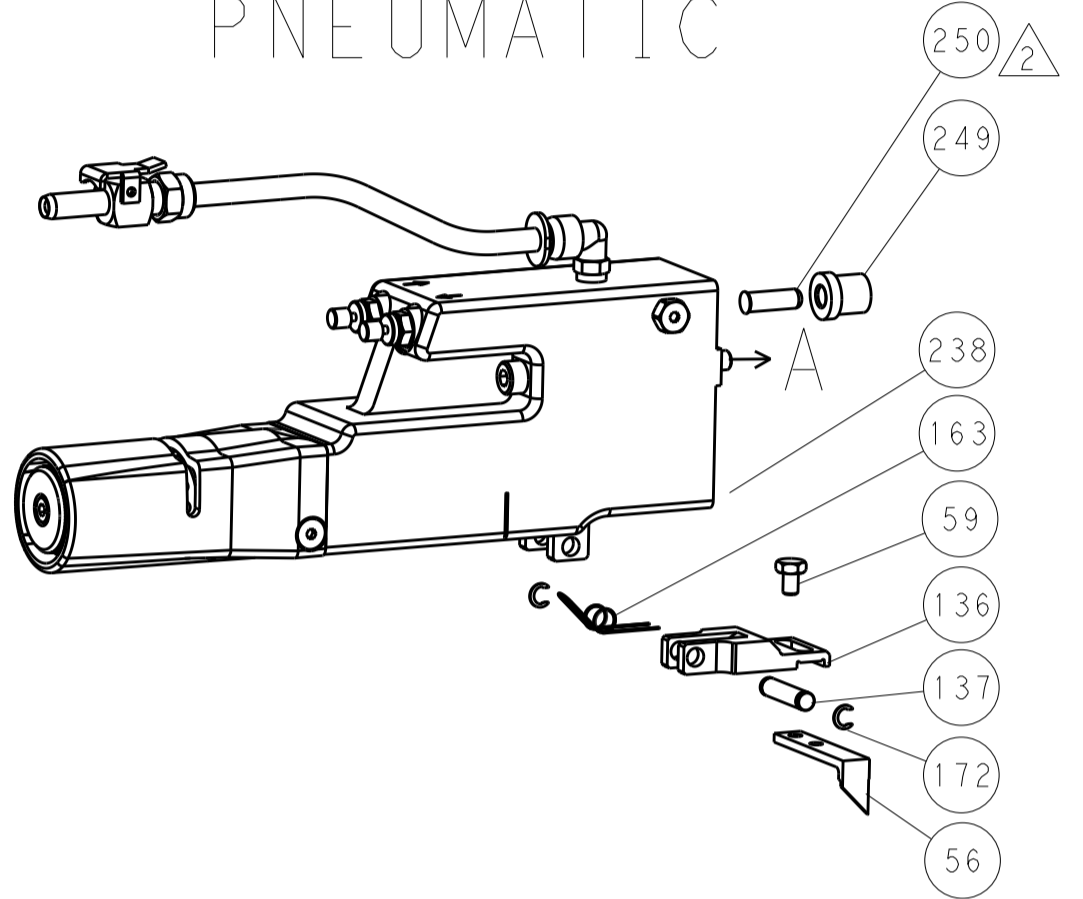
| | | |
|--|----------------------------|--------------|
| OWN | J. HUANG | 16OCT2014 |
| CHK | L. ZHANG | 16OCT2014 |
| APVD | J. GUO | 16OCT2014 |
| NAME | Ocean Side Feed Applicator | |
| SIZE | CAGE CODE | DRAWING NO |
| A1 | 00779 | 2266546 |
| Customer Accessible Production Drawing | | |
| SCALE | 1:2 | SHEET 1 OF 4 |
| REV | B | |

| LOC | | DIST | | REVISIONS | | | |
|-----|----|------|-----|-------------|------|-----|------|
| A | 66 | P | LTM | DESCRIPTION | DATE | DWN | APVD |
| | | - | | SEE SHEET 1 | | | |

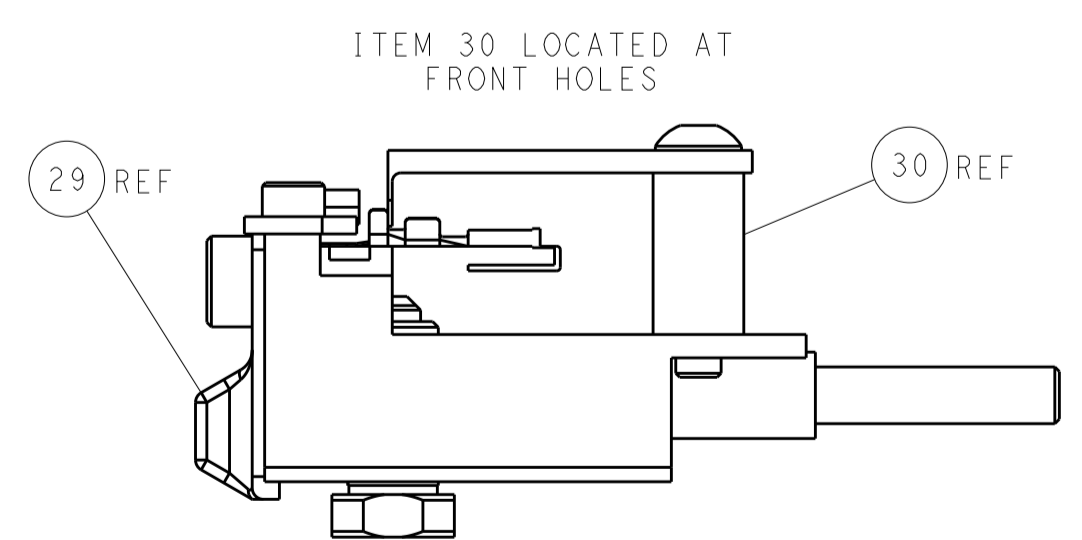
FEED TYPE MECHANICAL



PNEUMATIC

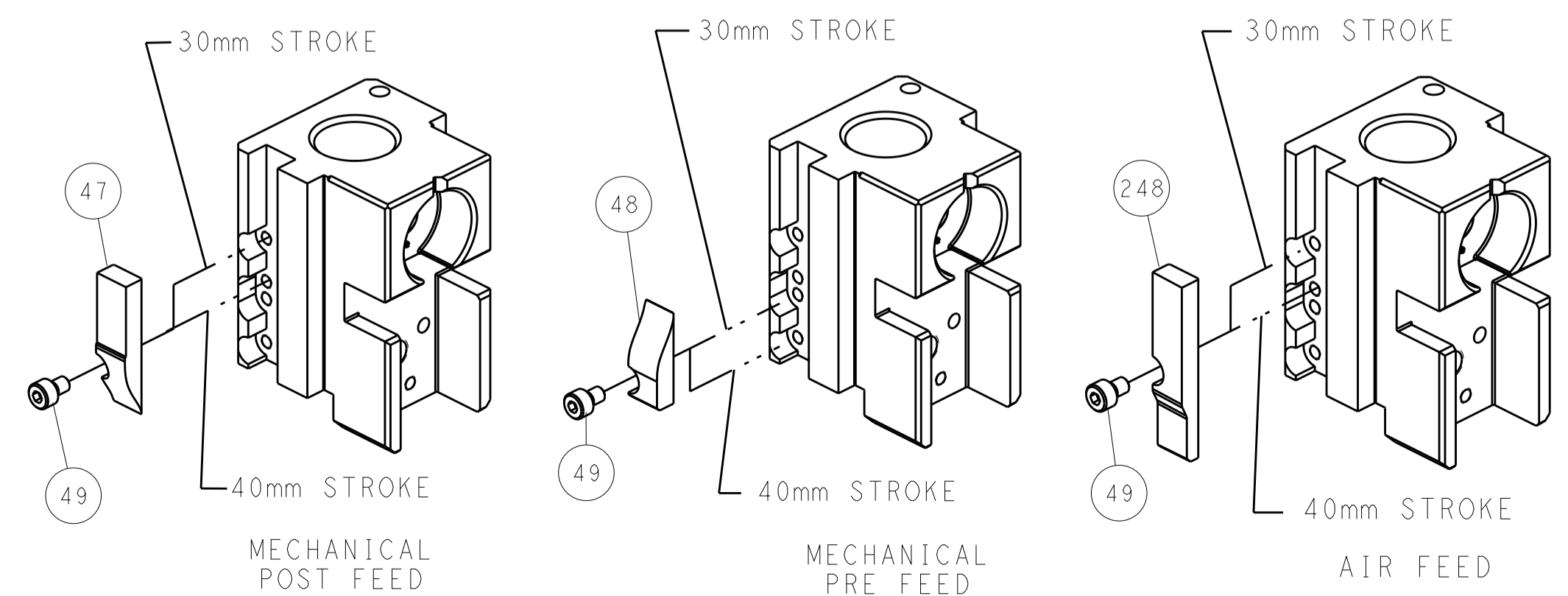


RAM SET-UP



FEED TRACK POSITION GUIDE BY INSULATION BARREL

CAM POSITIONS



ATLANTIC VERSION
 Shown on sheets 1 of 4 & 2 of 4
 (Pacific version shown on sheets 3 of 4 & 4 of 4)

| | | | | | | | |
|-------------|---------|--|---------|--|---------|---------------------------|---------------------------|
| DIMENSIONS: | | TOLERANCES UNLESS OTHERWISE SPECIFIED: | | DWN H. HUANG 16OCT2014 | | TE Connectivity | |
| mm | 0 PLC ± | 1 PLC ± | 2 PLC ± | 3 PLC ± | 4 PLC ± | CHK L. ZHANG 16OCT2014 | Harrisburg, PA 17105-3608 |
| MATERIAL: | | FINISH: | | APVD H. GUO 16OCT2014 | | NAME | |
| | | | | PRODUCT SPEC | | Ocean Side Feed | |
| | | | | APPLICATION SPEC | | Applicator | |
| | | | | WEIGHT | | SIZE CAGE CODE DRAWING NO | |
| | | | | Customer Accessible Production Drawing | | A1 00779 C=2266546 | |
| | | | | SCALE | | RESTRICTED TO | |
| | | | | 1:2 | | SHEET 2 OF 4 REV B | |

| PART NUMBER | REVISION | DESCRIPTION | FEED TYPE |
|-------------|----------|--------------------------|------------|
| 2-2266546-1 | B | FINE CRIMP HEIGHT ADJUST | MECHANICAL |
| 2-2266546-2 | B | FINE CRIMP HEIGHT ADJUST | PNEUMATIC |
| 7-2266546-7 | A | CRIMP TOOLING KIT | - |

PACIFIC VERSION TERMINATOR
INTERFACE ADAPTER



| APPLICATOR DATA | | |
|--------------------------------------|----------------|------|
| CRIMP | SIZE | TYPE |
| WIRE | 1.78 mm [.070] | F |
| INSUL | 3.56 mm [.140] | O |
| APPLICATOR INSTRUCTIONS 408-35042 | | |

| TERMINAL DATA: TE TERMINAL | | TE CRIMP SPECIFICATION | |
|--|-------------|---|-------------|
| TERMINAL NAME: REC, FASTON, PIGGYBACK, .110 SRS | | | |
| WIRE STRIP LENGTH 4.32-4.32 mm [.170-.170 IN] | | INSULATION DIAMETER RANGE Ø2.03-3.05 mm [.080-.120 IN] | |
| TERMINAL APPLICATION SPECIFICATION | 114-2082 | - | - |
| TERMINALS APPLIED | | | |
| TE TERMINAL | TE TERMINAL | TE TERMINAL | TE TERMINAL |
| 62003-1 | 62003-4 | 63961-1 | 1217083-1 |
| 62003-2 | 63242-1 | 1217145-1 | |

| WIRE SIZE | CRIMP HEIGHT mm [INCH] | CRIMP HEIGHT REFERENCE SETTING |
|-----------|----------------------------|--------------------------------|
| 18 AWG | 1.17+/-0.05 [.046+/-0.002] | 5.8 |
| 20 AWG | 1.02+/-0.05 [.040+/-0.002] | 7.6 |
| 22 AWG | 0.94+/-0.05 [.037+/-0.002] | 8.5 |

***WARNING**
ON INSTALLATION, SET WIRE DISC TO CRIMP HEIGHT REFERENCE SETTING FOR LARGEST WIRE SIZE. CRIMP HEIGHT REFERENCE SETTINGS GREATER THAN THE VALUE SHOWN MAY CAUSE DAMAGE TO THE CRIMP TOOLING, REFER TO THE INSTRUCTION SHEET FOR PROPER SETUP AND ADJUSTMENTS.

- 1 RECOMMENDED SPARE PARTS
- 2 REFER TO SUPPLIED INSTRUCTION SHEET FOR CLEANING, LUBRICATION AND STORAGE OF APPLICATOR.
- 3 APPLY PART NUMBER 2-23419-6 LOCTITE TO THREADS OF ITEM 242.
- 4 CRIMP HEIGHT REFERENCE SETTING WAS THE SETTING USED WHEN THE APPLICATOR WAS QUALIFIED AT THE FACTORY. ADJUSTMENT MAY BE NECESSARY WHEN RUNNING APPLICATOR IN THE FIELD.
- 5 INSULATION RANGE OF 62003 IS .060-.100 IN.
- 6. UNLESS SPECIFIED OTHERWISE TORQUE VALUES SHALL BE USED PER DOCUMENT, 101-35000.

| LOC | DIST | REV | DATE | BY | APPD |
|-----|------|-----|------|----|------|
| A | 66 | - | - | - | - |

| REV | DATE | BY | APPD | DESCRIPTION | ITEM NO |
|-----|------|-----|------|---|---------|
| - | 1 | - | - | 2119640-1 PUSH ROD, AIR FEED | 250 |
| - | 1 | - | - | 1803259-1 BUSHING, FLANGED | 249 |
| - | 1 | 1 | - | 2119082-3 CAM, SNAIL, INSULATION ADJUSTMENT | 244 |
| - | 1 | 1 | - | 2079764-1 WASHER, WAVE SPRING, CREST-TO-CREST | 243 |
| - | 1 | 1 | - | 2119083-1 RETAINER, INSULATION DIAL | 242 |
| - | 1 | 1 | - | 7-18023-7 SCR, SKT HD CAP M3 X 4.0 | 241 |
| - | - | 1 | - | 2119580-1 MECHANICAL FEED ASSEMBLY | 239 |
| - | 1 | - | - | 2063440-1 AIR FEED MODULE | 238 |
| - | 2 | - | - | 21045-3 RING, RETAIN, EXTERN, 3/16 CRESCENT | 172 |
| - | REF | REF | - | 994970-2 COUNTER, MAGNETIC | 164 |
| - | 1 | - | - | 240638-1 SPRING, FEED FINGER | 163 |
| - | 1 | - | - | 2119641-2 FEED CAM, AIR FEED | 151 |
| - | 1 | 1 | - | 2168083-8 SCR, SKT HD CAP, RoHS, M4 X 16 | 144 |
| - | 2 | 2 | - | 2168083-9 SCR, SKT HD CAP, RoHS, M4 X 20 | 143 |
| - | - | 1 | - | 2119653-2 FEED CAM, POST FEED | 142 |
| - | 1 | 1 | - | 1-1803583-0 APPLICATOR BASIC ASSEMBLY, SF | 141 |
| - | 1 | 1 | - | 1803516-1 RAM ASSEMBLY, SF PACIFIC | 140 |
| - | 1 | - | - | 3-23627-7 PIN, RETAIN, GRVD, 3/16 X .854 | 137 |
| - | 1 | - | - | 2119799-1 HOLDER, FEED FINGER, AF | 136 |
| - | 1 | 1 | - | 2844908-1 SCREW, LOCKING | 99 |
| - | 1 | 1 | - | 2844907-1 POST, LOCKING | 98 |
| - | 1 | 1 | - | 455888-5 SPACER, CRIMPER | 82 |
| - | 1 | 1 | - | 1803607-1 DOCUMENTATION PACKAGE | 71 |
| - | 1 | 1 | - | 2119740-1 TAG, IDENTIFICATION | 67 |
| - | 2 | 2 | - | 2168078-1 SCREW, DRIVE, RH, RoHS, 2 x .188 | 66 |
| - | 1 | 1 | - | 5-18022-5 SCR, HEX HD CAP, M4 X 6.0 | 59 |
| - | 1 | 1 | - | 1338685-1 PAWL, FEED | 56 |
| - | 2 | 2 | - | 1-2168083-0 SCR, SKT HD CAP, RoHS, M4 X 10 | 53 |
| - | 1 | 1 | - | 5018030-1 NUT, HEX, REG, RoHS, M3 | 52 |
| - | 1 | 1 | - | 811242-5 BUMPER, HOLD DOWN | 51 |
| - | 1 | 1 | - | 690753-2 SPACER, TONKER | 50 |
| - | 1 | 2 | - | 18023-9 SCR, SKT HD CAP M4 X 6.0 | 49 |
| - | - | 1 | - | 2119652-1 FEED CAM, PRE FEED | 48 |
| - | 1 | 1 | - | 1803602-1 SCR, BHSC, RoHS (M8 X 25) | 41 |
| - | 2 | 2 | - | 2079383-5 SCR, BHSC, RoHS (M4 X 20) | 33 |
| - | 2 | 2 | - | 2-2844962-6 SPACER, CYLINDRICAL, STRIP GUIDE | 30 |
| - | 1 | 1 | - | 2844992-1 ASSEMBLY, STRIP GUIDE | 29 |
| - | 1 | 1 | - | 455888-3 SPACER, CRIMPER | 28 |
| - | 1 | 1 | - | 1320928-2 STRIP GUIDE | 24 |
| - | 1 | 1 | - | 2168083-2 SCR, SKT HD CAP, RoHS, M4 X 8.0 | 21 |
| - | 2 | 2 | - | 1-18028-2 WASHER, FLAT, REG M4 | 20 |
| - | 1 | 1 | - | 2119533-1 STRIPPER, SIDE FEED | 19 |
| - | 1 | 1 | - | 2119806-1 INSERT, SHEAR | 13 |
| - | 1 | 1 | - | 3-22280-3 SPRING, COMPRESSION | 12 |
| - | 1 | 1 | - | 1-356885-4 STOP, SHEAR | 11 |
| - | 1 | 1 | - | 2119805-1 SHEAR HOLDER, FRONT | 10 |
| - | 1 | 1 | - | 1803095-1 FLOATING SHEAR, FRONT | 9 |
| 1 | 1 | 1 | - | 6-1333203-8 ANVIL, COMBINATION | 8 |
| - | - | - | - | - | 7 |
| - | - | - | - | - | 6 |
| - | 1 | 1 | - | 2119757-4 DEPRESSOR, SHEAR | 5 |
| - | 1 | 1 | - | 238011-4 BLOCK, CRIMPER SPACER | 4 |
| 1 | 1 | 1 | - | 1803018-8 CRIMPER, INSULATION O | 3 |
| - | 1 | 1 | - | 455888-6 SPACER, CRIMPER | 2 |
| 1 | 1 | 1 | - | 1-456404-8 CRIMPER, WIRE PREMIUM | 1 |

PACIFIC VERSION
Shown on sheets 3 of 4 & 4 of 4
(Atlantic version shown on sheets 1 of 4 & 2 of 4)

| DIMENSIONS: | | TOLERANCES UNLESS OTHERWISE SPECIFIED: | | MATERIAL: | | FINISH: | |
|-------------|---------|--|---------|-----------|---------|----------|----------|
| mm | 0 PLC ± | 1 PLC ± | 2 PLC ± | 3 PLC ± | 4 PLC ± | ANGLES ± | FINISH ± |

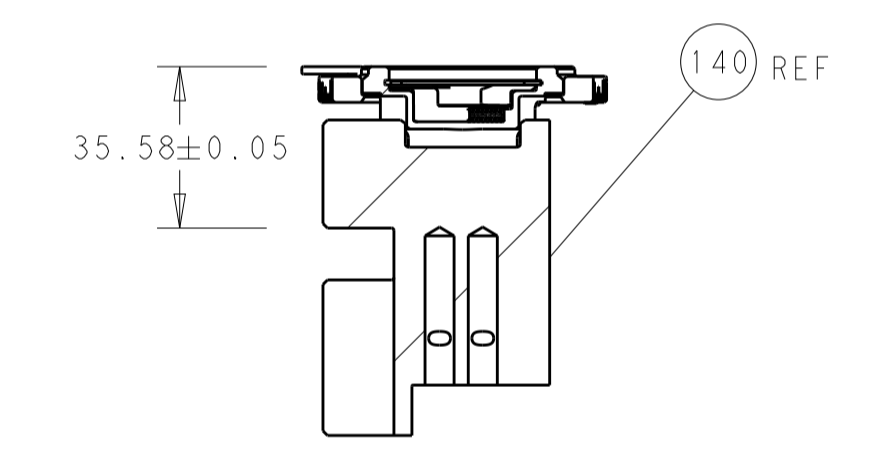
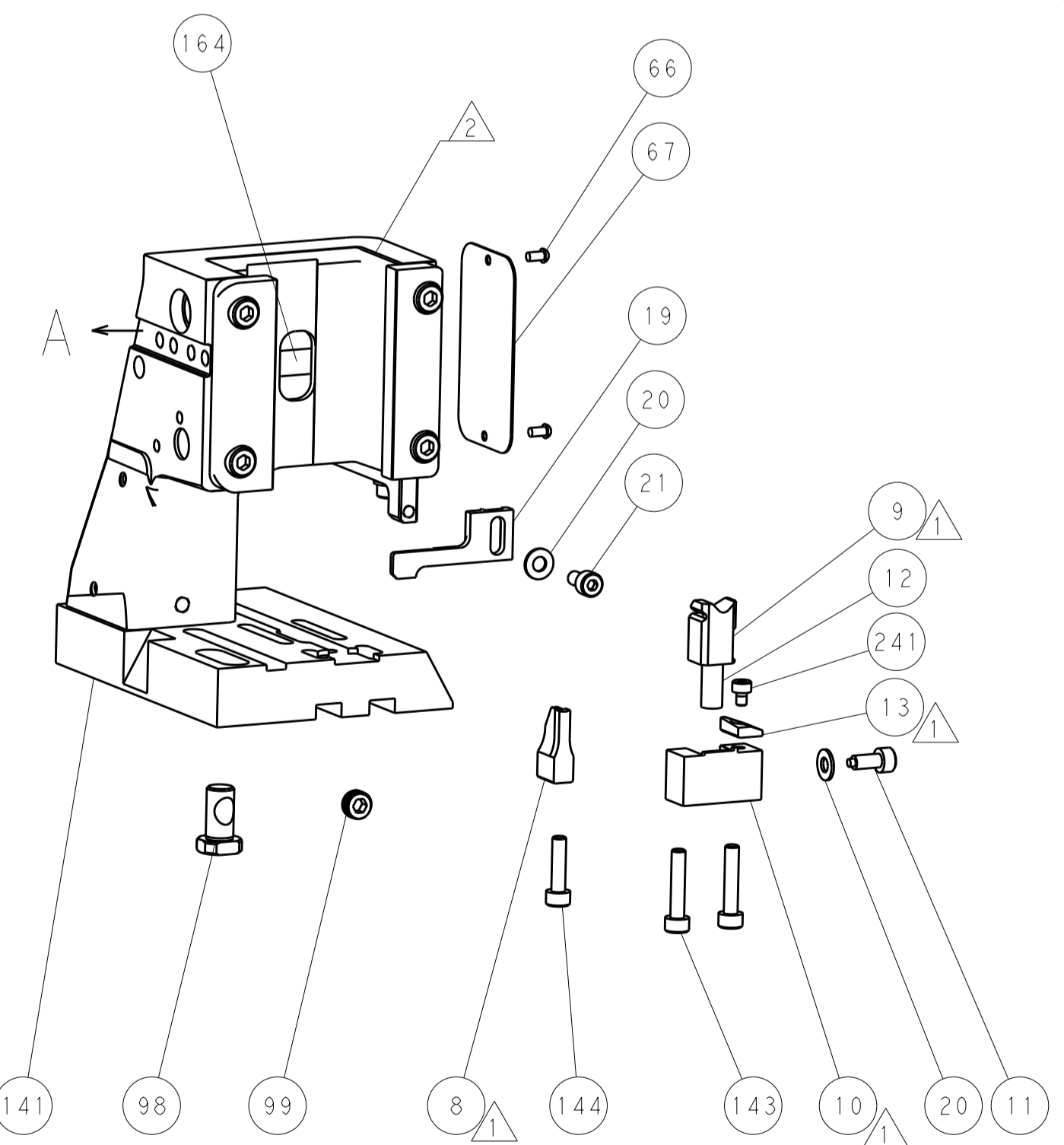
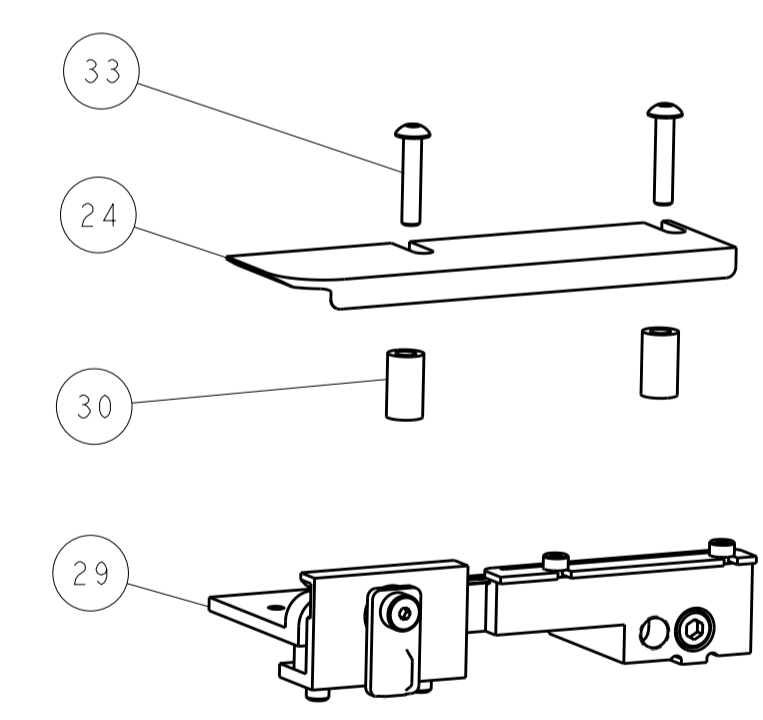
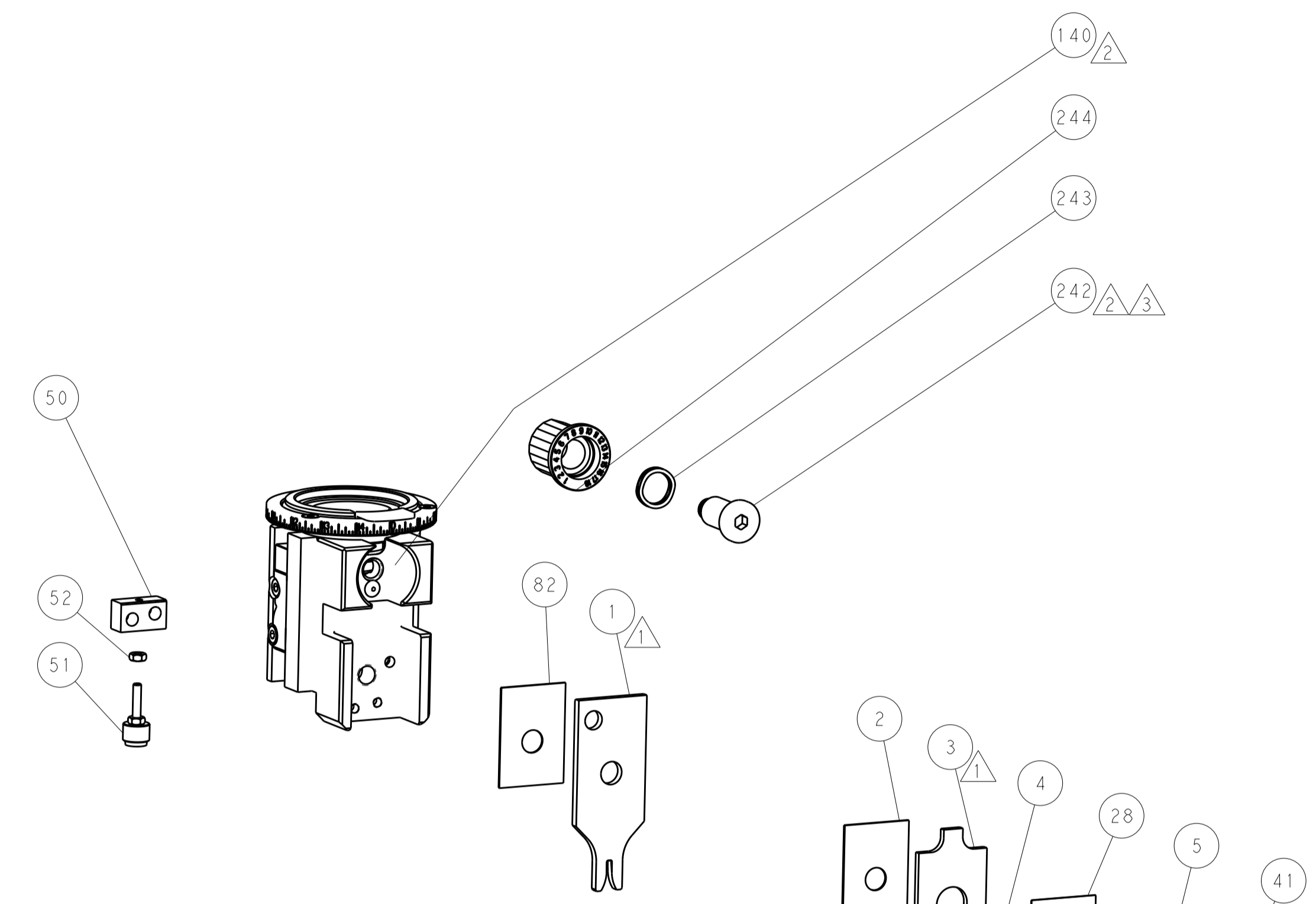
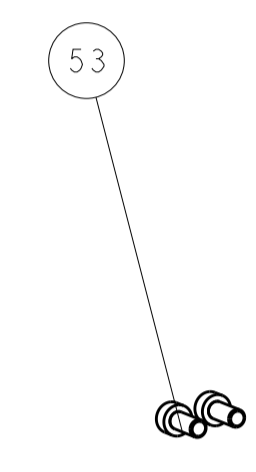
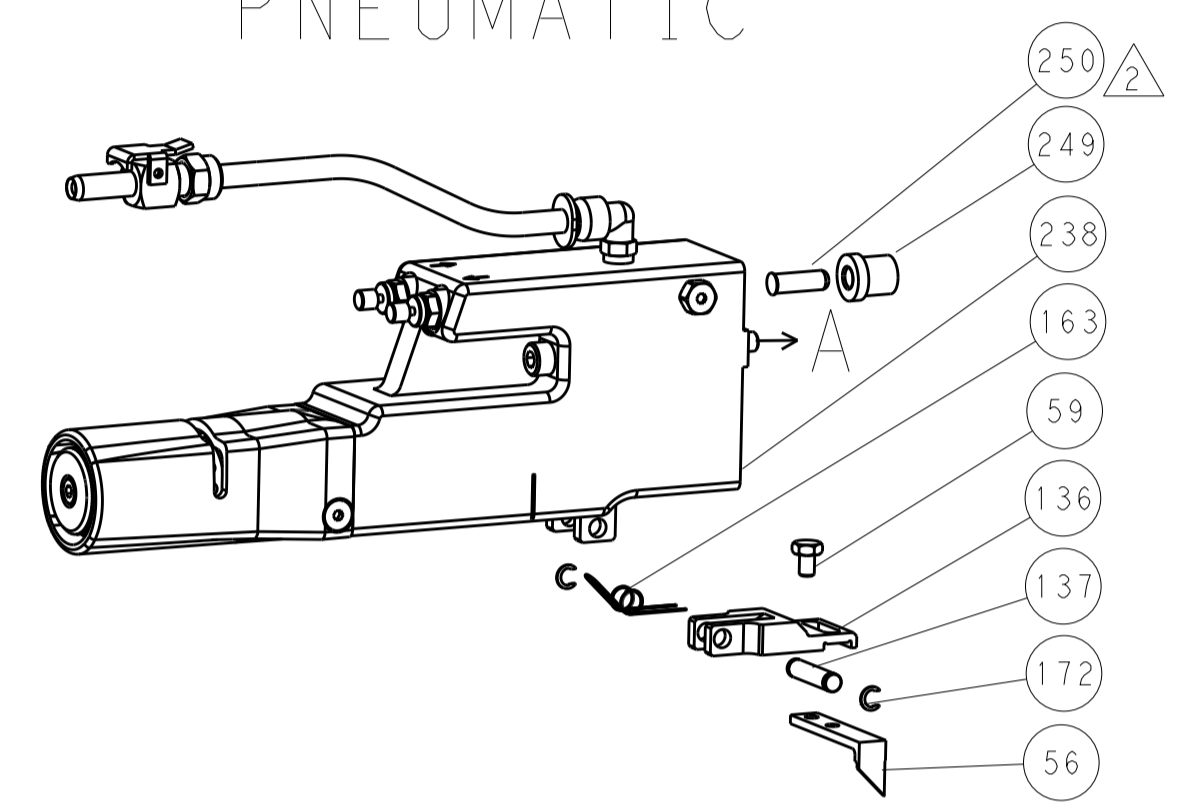
| | | | | | | | |
|------------------|-----------|------------|--|-----------|-----|----------|-----------|
| DWG | 16OCT2014 | CHK | L. HUANG | 16OCT2014 | CHK | L. ZHANG | 16OCT2014 |
| APVD | J. GUO | 16OCT2014 | NAME | | | | |
| PRODUCT SPEC | | | | NAME | | | |
| APPLICATION SPEC | | | | NAME | | | |
| SIZE | CAGE CODE | DRAWING NO | RESTRICTED TO | | | | |
| A1 | 00779 | 2266546 | Customer Accessible Production Drawing | | | | |
| SCALE | 1:2 | SHEET | 3 | OF | 4 | REV | B |

| LOC | | DIST | | REVISIONS | | | |
|-----|----|------|-----|-------------|------|-----|------|
| A | 66 | P | LTM | DESCRIPTION | DATE | OWN | APVD |
| | | - | | SEE SHEET 1 | | | |

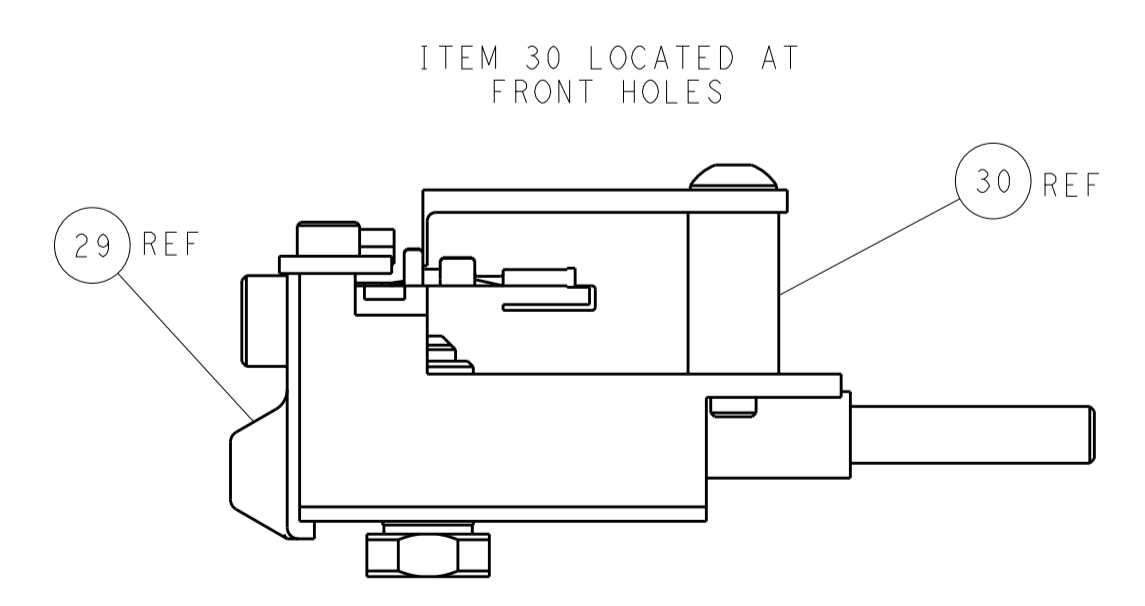
FEED TYPE MECHANICAL



PNEUMATIC

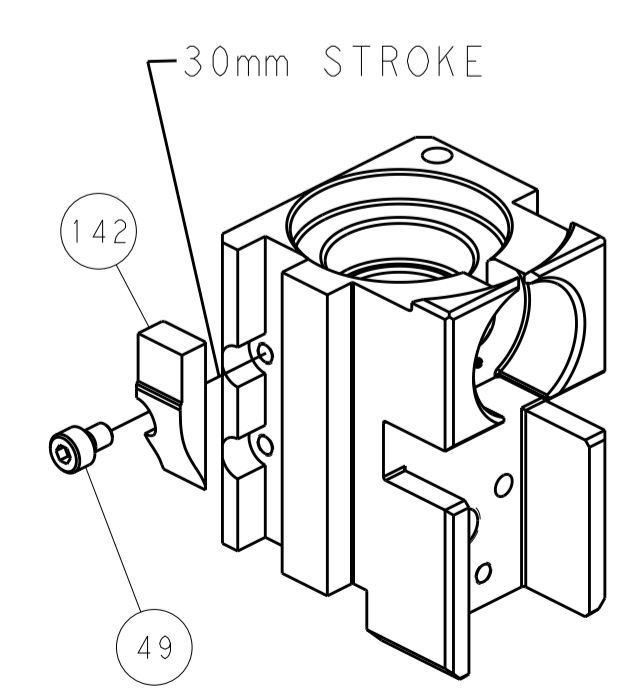


RAM SET-UP

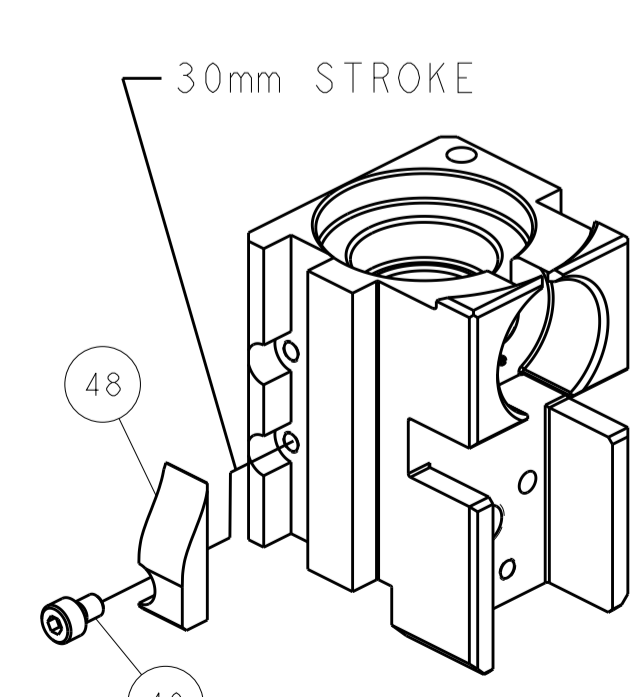


FEED TRACK POSITION
GUIDE BY INSULATION BARREL

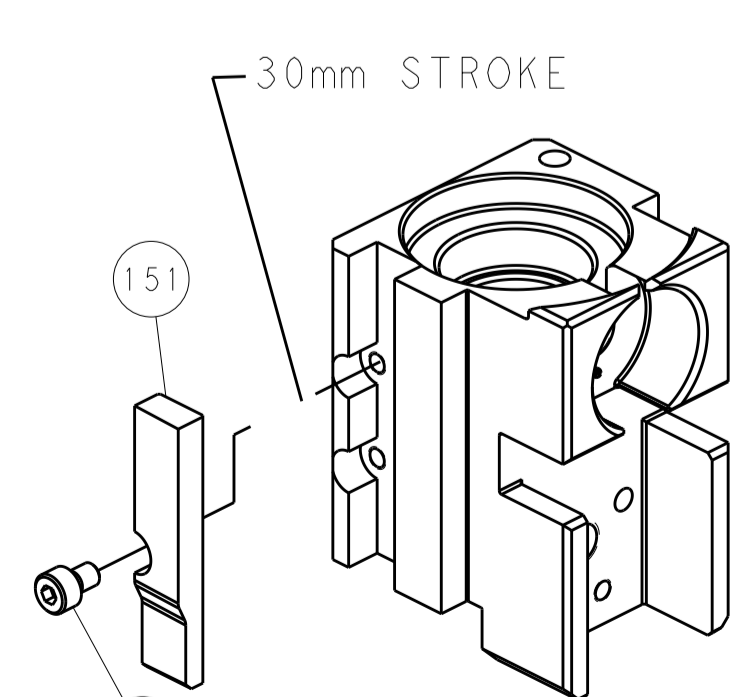
CAM POSITIONS



MECHANICAL
POST FEED



MECHANICAL
PRE FEED



AIR FEED

PACIFIC VERSION
 Shown on sheets 3 of 4 & 4 of 4
 (Atlantic version shown on sheets 1 of 4 & 2 of 4)

| | | | | | | | | | |
|-------------|---------|--|---------|--|---------|-------------------------------------|--------|--|------------------------------|
| DIMENSIONS: | | TOLERANCES UNLESS OTHERWISE SPECIFIED: | | DWN R. HUANG CHK L. ZHANG APVD H. GUO | | 16OCT2014 16OCT2014 16OCT2014 | | NAME Ocean Side Feed Applicator | |
| mm | 0 PLC ± | 1 PLC ± | 2 PLC ± | 3 PLC ± | 4 PLC ± | ANGLES | FINISH | WEIGHT | RESTRICTED TO |
| MATERIAL | | | | | | | | Customer Accessible Production Drawing | SCALE 1:2 SHEET 4 OF 4 REV B |

Mouser Electronics

Authorized Distributor

Click to View Pricing, Inventory, Delivery & Lifecycle Information:

[TE Connectivity:](#)

[2266546-2](#)