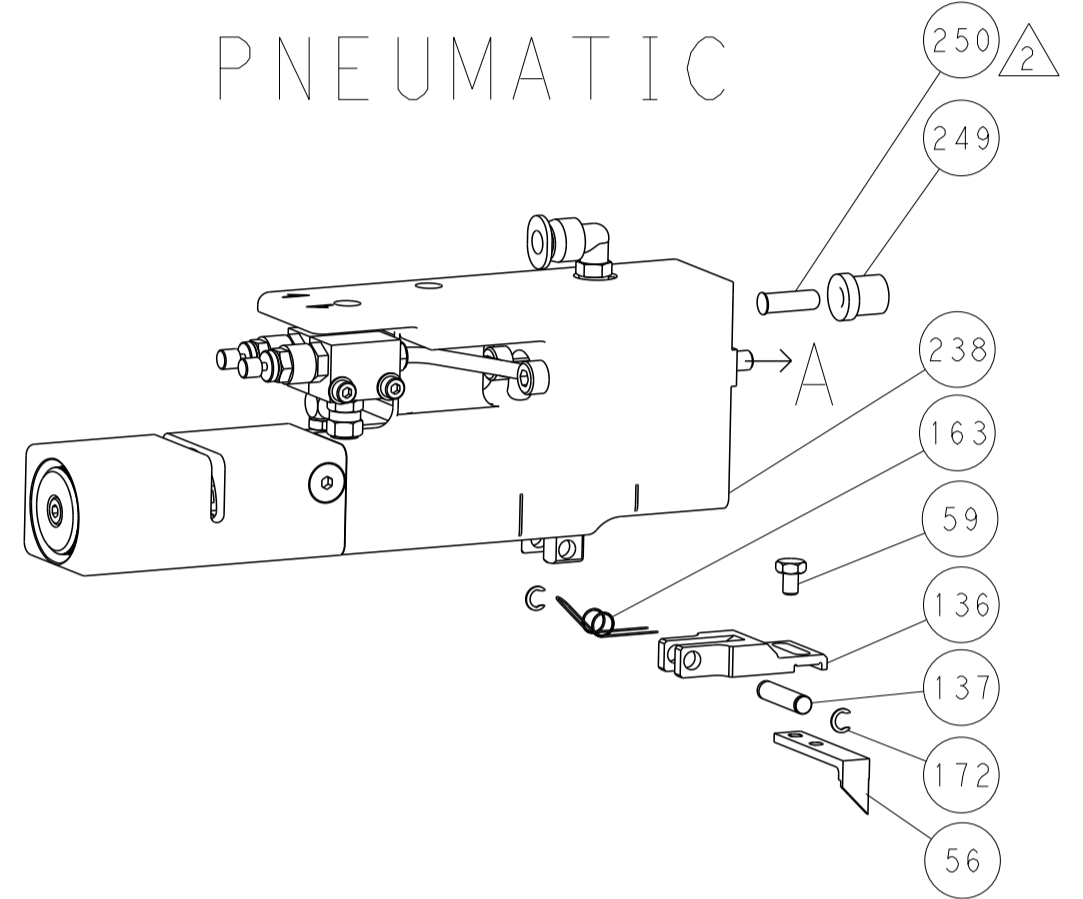


LOC		DIST		REVISIONS			
A	66	P	LTM	DESCRIPTION	DATE	DWN	APVD
		-		SEE SHEET 1			

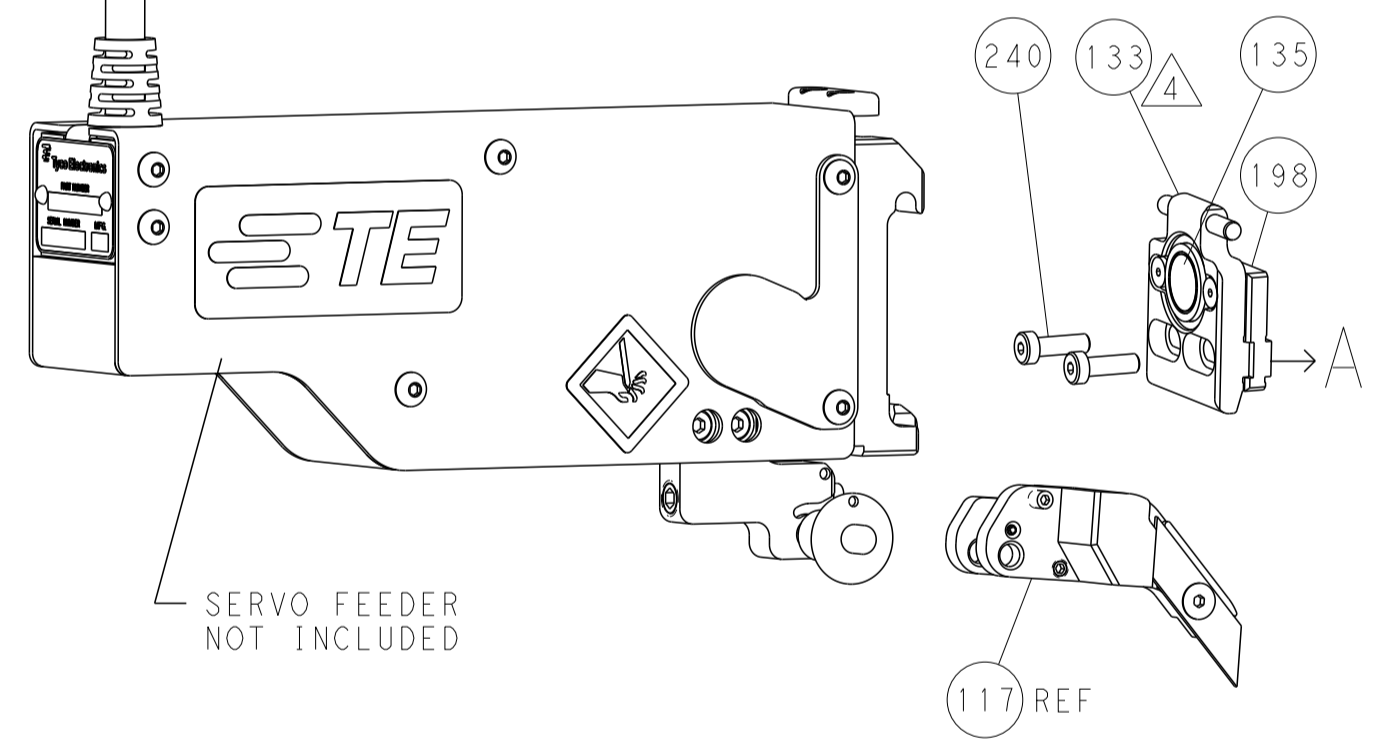
FEED TYPE MECHANICAL



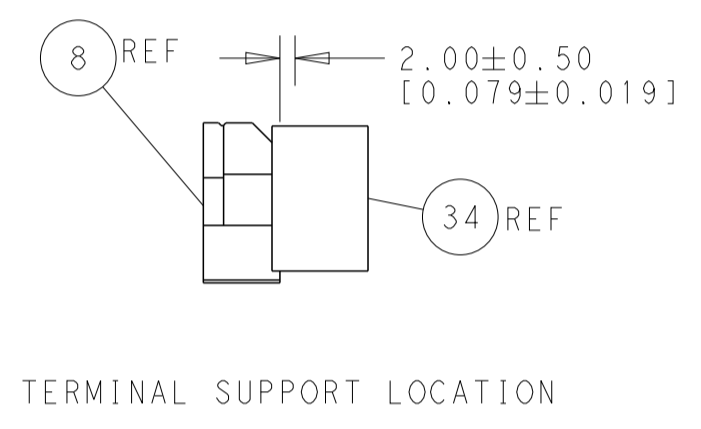
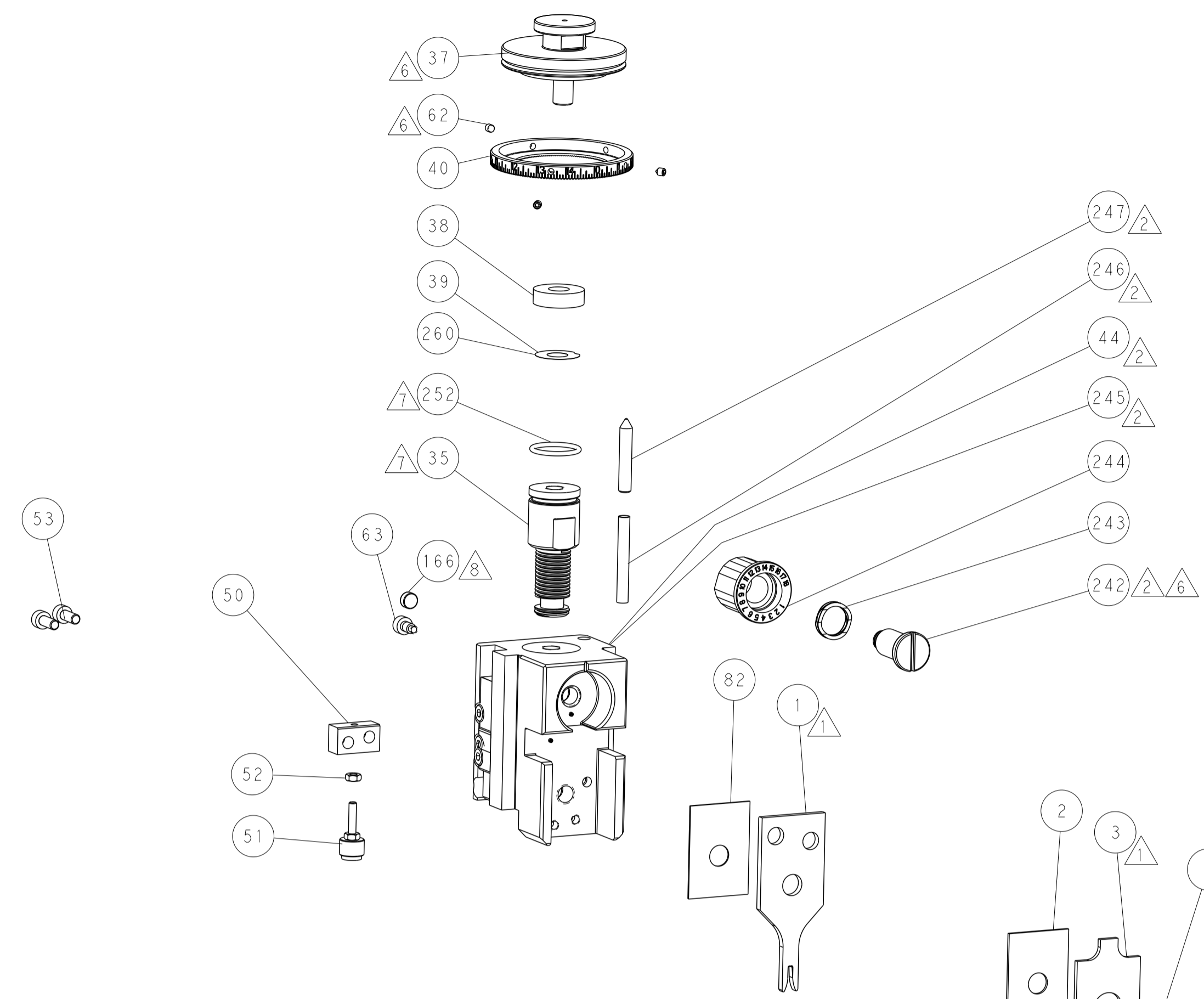
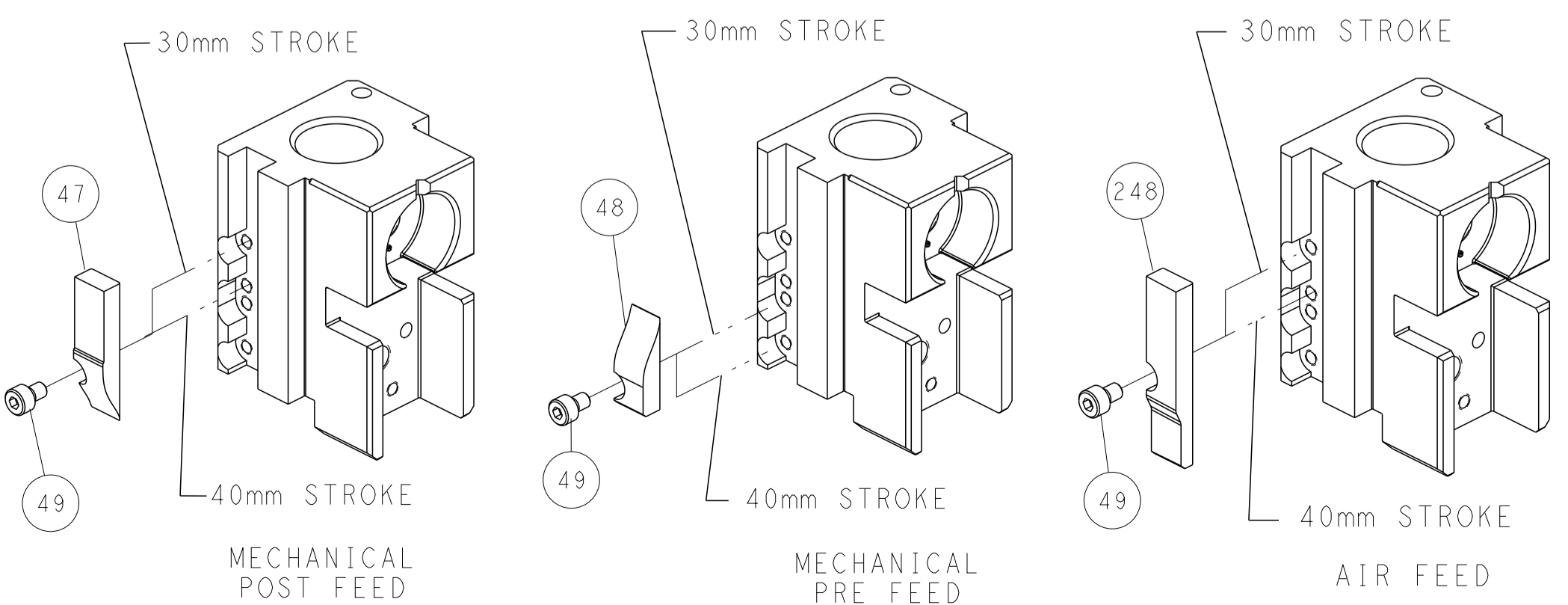
PNEUMATIC



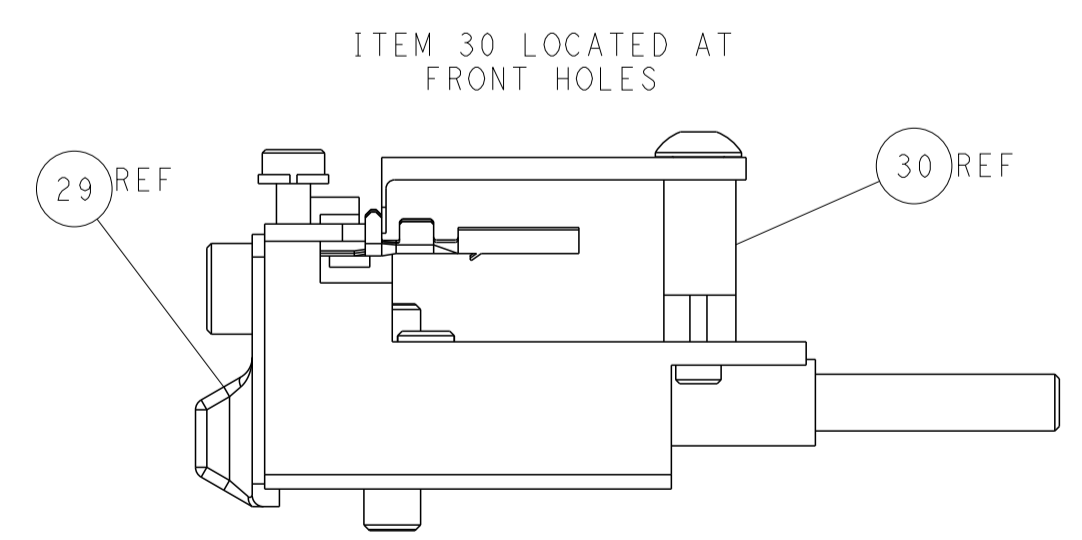
SERVO LATCH PLATE



CAM POSITIONS



TERMINAL SUPPORT LOCATION



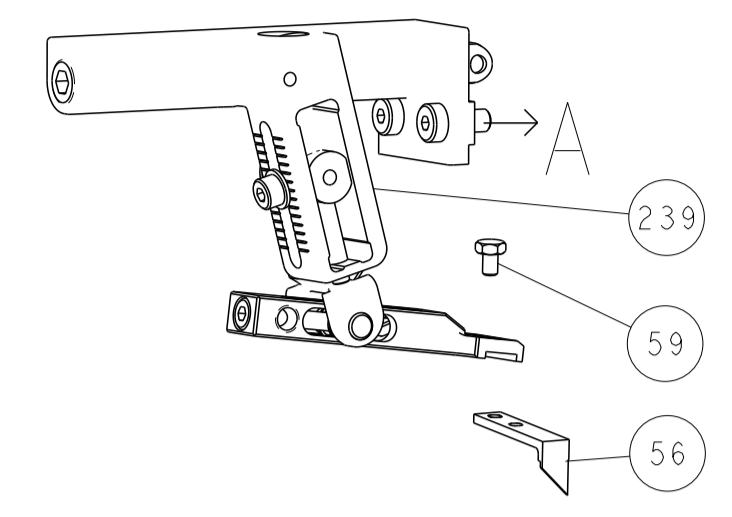
FEED TRACK POSITION GUIDE BY INSULATION BARREL

ATLANTIC VERSION
 Shown on sheets 1 of 4 & 2 of 4
 (Pacific version shown on sheets 3 of 4 & 4 of 4)

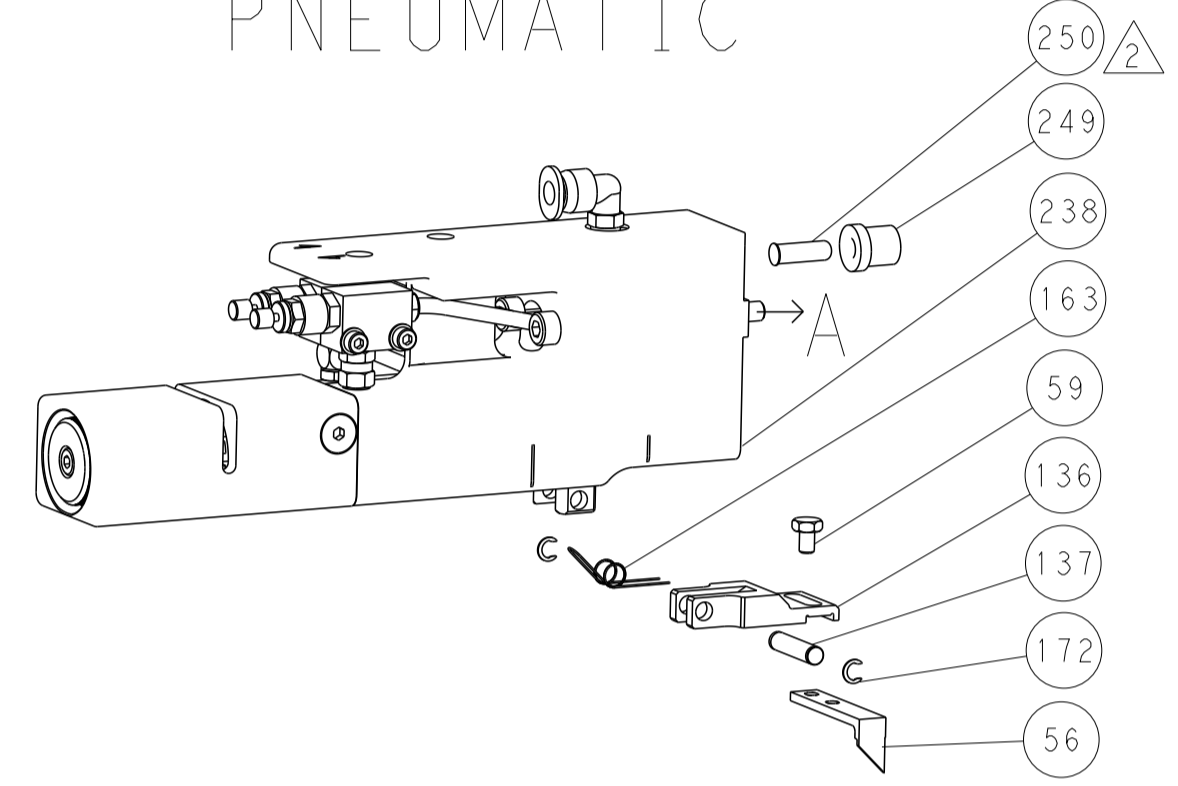
DIMENSIONS:		TOLERANCES UNLESS OTHERWISE SPECIFIED:		DWN J.HOU 6 JUNE 2014		TE Connectivity	
mm		0 PLC ±0.5		CHK Y.YIN 6 JUNE 2014		Harrisburg, PA 17105-3608	
MATERIAL:		FINISH:		APVD H.GUO 6 JUNE 2014		NAME	
				PRODUCT SPEC		Ocean Side Feed	
				APPLICATION SPEC		Applicator	
				WEIGHT		RESTRICTED TO	
				A1 00779 C=2266316		SIZE CAGE CODE DRAWING NO	
				Customer Accessible Production Drawing		SCALE 1:2 SHEET 2 OF 4 REV A	

LOC		DIST		REVISIONS			
A	66	P	LTM	DESCRIPTION	DATE	OWN	APVD
-	-	-	-	SEE SHEET 1	-	-	-
-	-	-	-	-	-	-	-
-	-	-	-	-	-	-	-

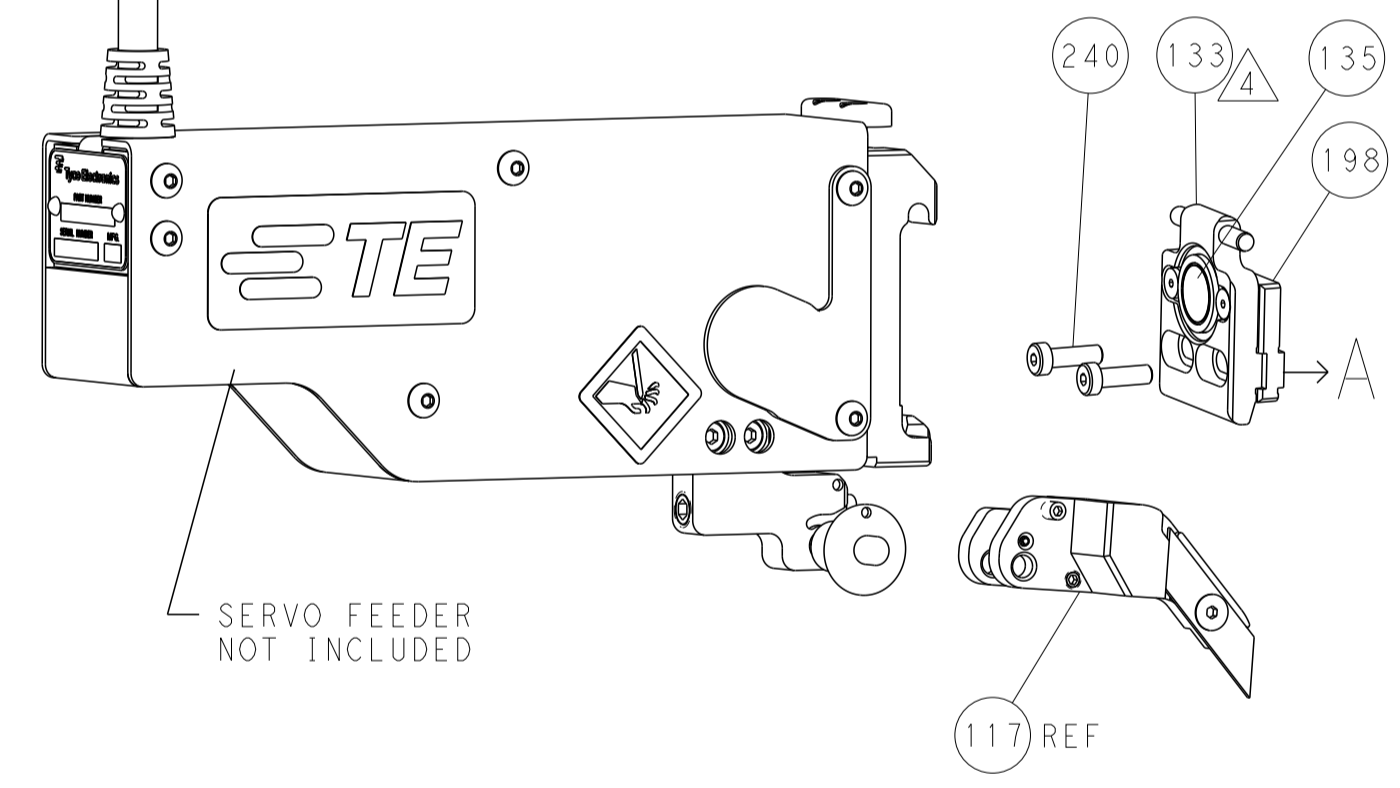
FEED TYPE MECHANICAL



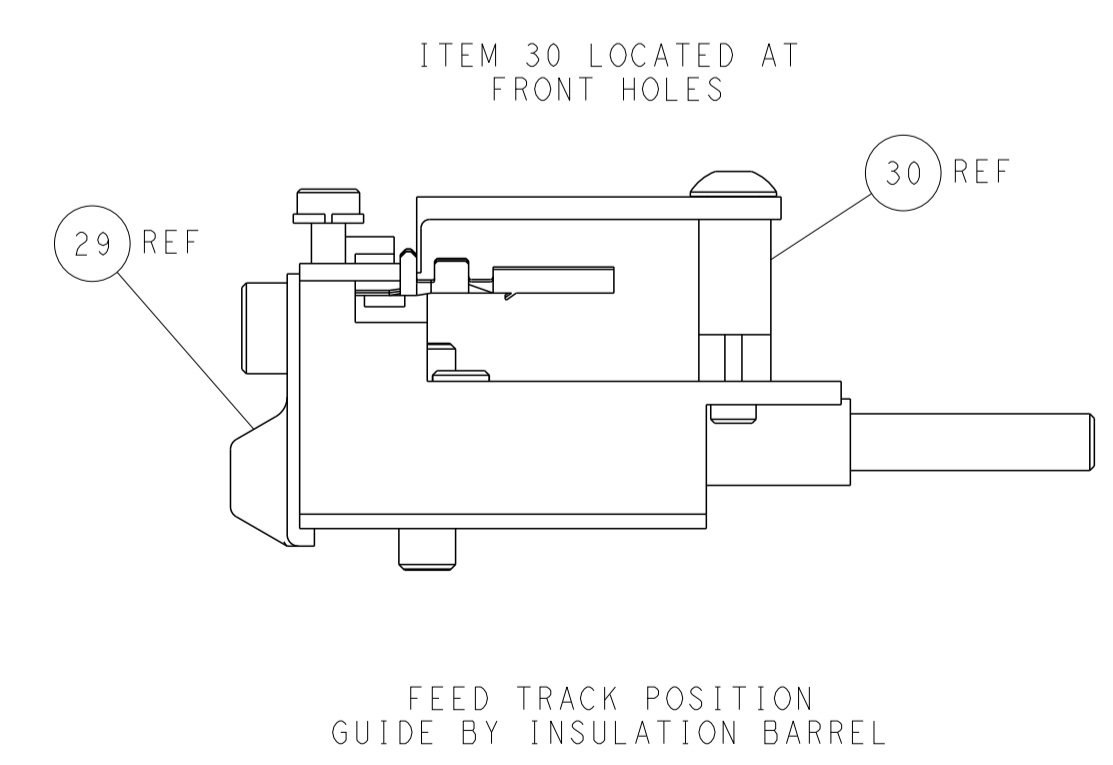
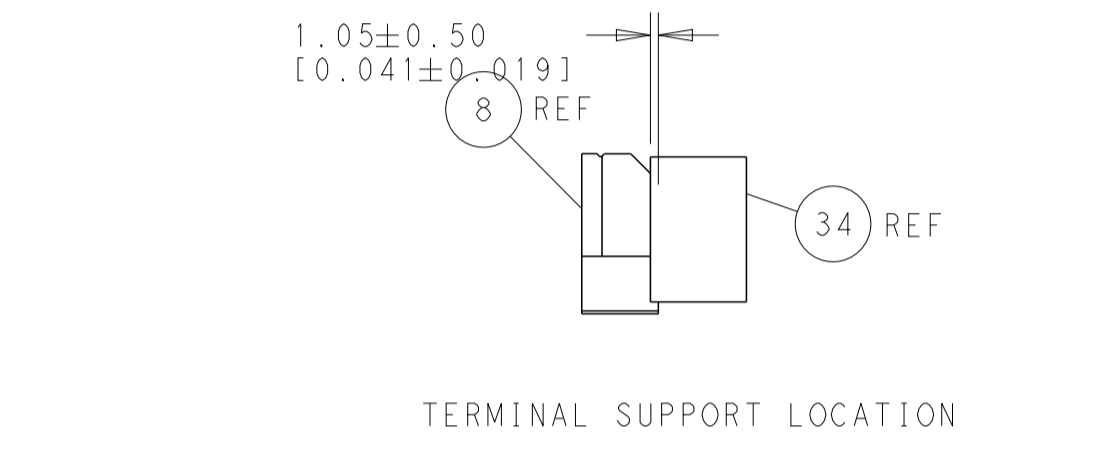
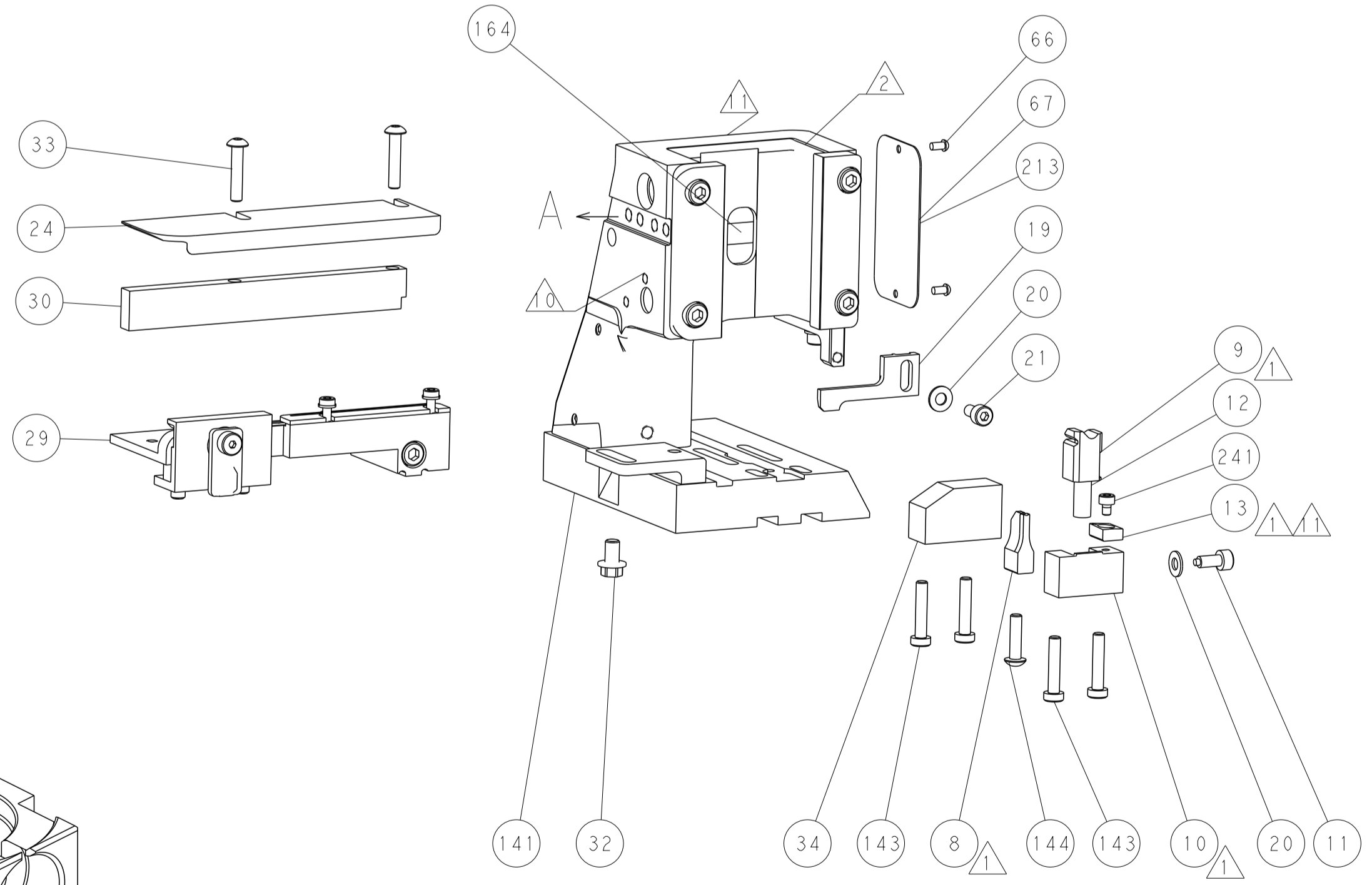
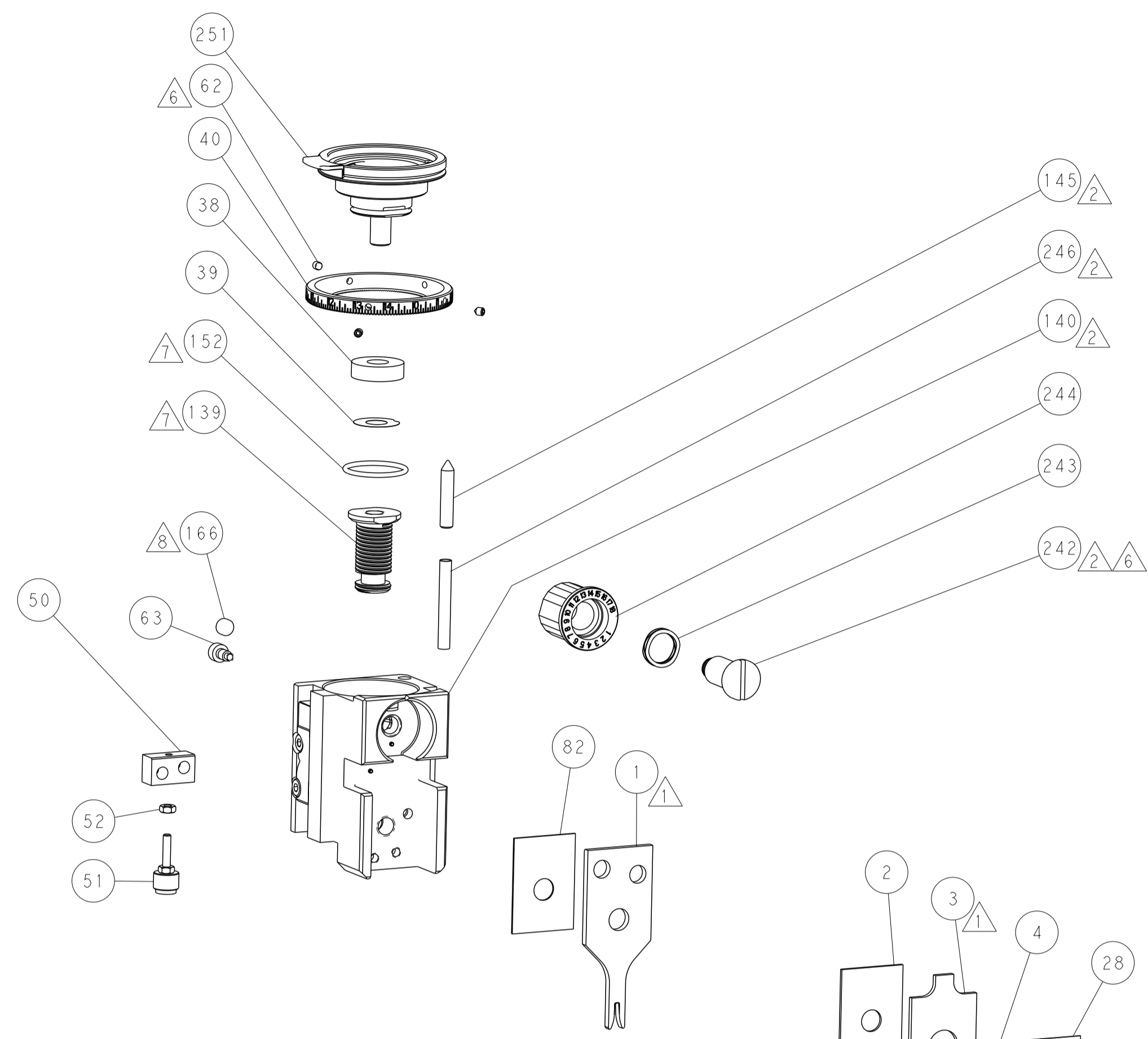
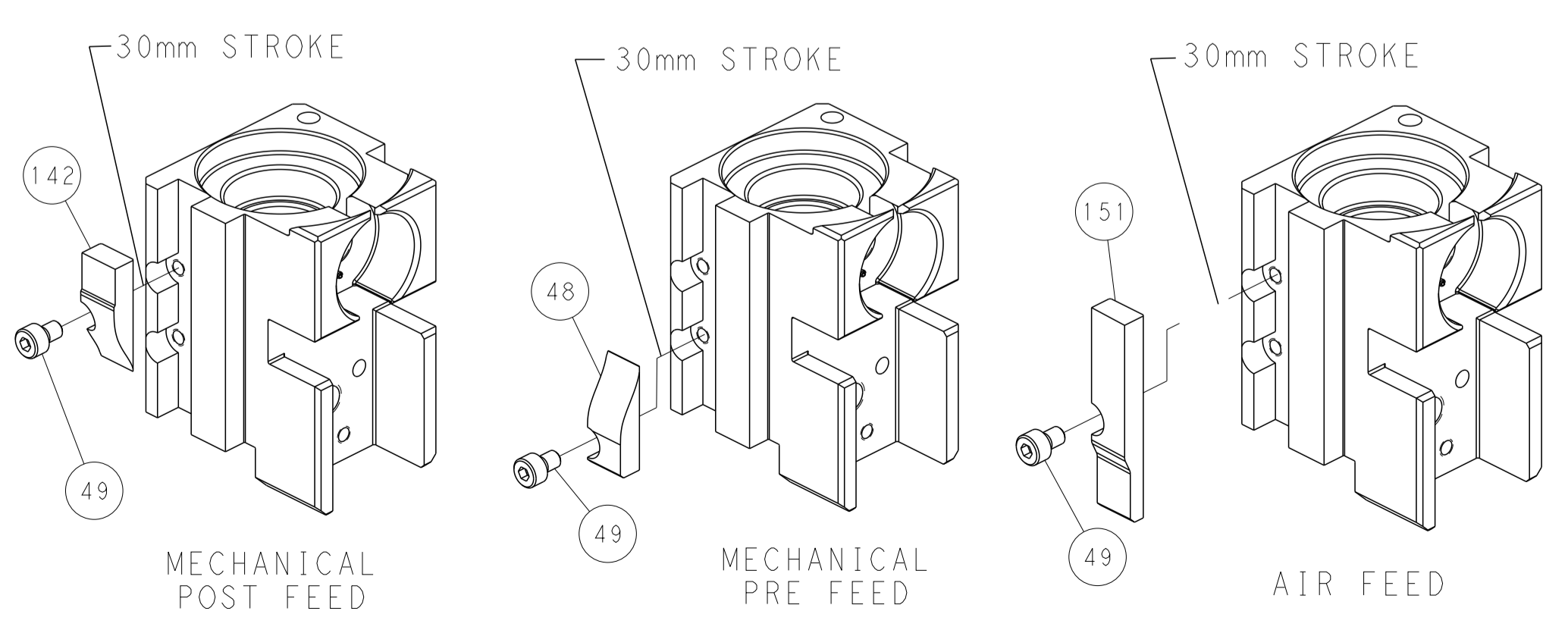
PNEUMATIC



SERVO LATCH PLATE



CAM POSITIONS



PACIFIC VERSION
 Shown on sheets 3 of 4 & 4 of 4
 (Atlantic version shown on sheets 1 of 4 & 2 of 4)

DIMENSIONS:		TOLERANCES UNLESS OTHERWISE SPECIFIED:		DWG: J.HOU 9JUNE2014		REV: Y.YIN 9JUNE2014		NAME: Ocean Side Feed Applicator	
mm	0 PLC	±	0.5	SIZE	CAGE CODE	DRAWING NO	RESTRICTED TO	-	
	1 PLC	±	0.13	SCALE	1:2	SHEET 4 OF 4	REV	A	
	2 PLC	±	0.03	Customer Accessible Production Drawing					
	3 PLC	±	0.013	Customer Accessible Production Drawing					
	4 PLC	±	0.001	Customer Accessible Production Drawing					
	ANGLES	±	0.0001	Customer Accessible Production Drawing					
MATERIAL:	FINISH:	-		WEIGHT:		-		-	

Mouser Electronics

Authorized Distributor

Click to View Pricing, Inventory, Delivery & Lifecycle Information:

[TE Connectivity:](#)

[2266316-2](#)