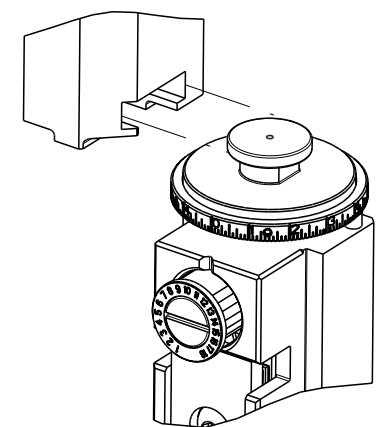


PART NUMBER	REVISION	DESCRIPTION	FEED TYPE
2266021-1	D	FINE CRIMP HEIGHT ADJUST	MECHANICAL
2266021-2	D	FINE CRIMP HEIGHT ADJUST	PNEUMATIC
5-2266021-1	D	SEAL STRIPPER CRIMPER TERMINATING UNIT	MECHANICAL
5-2266021-2	D	SEAL STRIPPER CRIMPER TERMINATING UNIT	PNEUMATIC
7-2266021-1	D	MECHANICAL AND CRIMP TOOLING KIT	MECHANICAL
7-2266021-2	D	PNEUMATIC AND CRIMP TOOLING KIT	PNEUMATIC
7-2266021-7	A	CRIMP TOOLING KIT	-

ATLANTIC VERSION TERMINATOR INTERFACE ADAPTER



APPLICATOR DATA		
CRIMP	SIZE	TYPE
WIRE	1.40 mm [.055]	F
STAB	1.78 mm [.070]	O
INSUL	1.78 mm [.070]	O

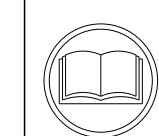
APPLICATOR INSTRUCTIONS
408-35042

TERMINAL DATA: TE TERMINAL		TE CRIMP SPECIFICATION	
TERMINAL NAME: CONTACT-LOCKING CLIP			
WIRE STRIP LENGTH		INSULATION DIAMETER RANGE	
3.58-4.34 mm [.141-.171 IN]		Ø0.96-1.57 mm [.038-.062 IN]	
TERMINAL APPLICATION SPECIFICATION	114-25006		
TERMINALS APPLIED			
TE TERMINAL	TE TERMINAL	TE TERMINAL	TE TERMINAL
87124-1	87124-2	87124-3	5-87124-2
2267356-1			

TERMINAL DATA: TE TERMINAL		TE CRIMP SPECIFICATION	
TERMINAL NAME: CONTACT-LOCKING CLIP			
WIRE STRIP LENGTH		INSULATION DIAMETER RANGE	
3.58-4.34 mm [.141-.171 IN]		Ø1.27-2.54 mm [.050-.100 IN]	
TERMINAL APPLICATION SPECIFICATION	114-25006		
TERMINALS APPLIED			
TE TERMINAL	TE TERMINAL	TE TERMINAL	TE TERMINAL
867052-1	867052-2	5-867052-1	

WIRE SIZE	CRIMP HEIGHT mm [INCH]	CRIMP HEIGHT REFERENCE SETTING	STABILIZER CRIMP HEIGHT mm [INCH]	TE HOUSING
22 AWG	0.86+/-0.05 [.034+/-0.002]	7.9	2.08 +0/-0.10 [.0819 +.0000/-0.0039]	-
24 AWG	0.76+/-0.05 [.030+/-0.002]	8.9	2.08 +0/-0.10 [.0819 +.0000/-0.0039]	-
26 AWG	0.76+/-0.05 [.030+/-0.002]	9.0	2.08 +0/-0.10 [.0819 +.0000/-0.0039]	-

WIRE SIZE	CRIMP HEIGHT mm [INCH]	CRIMP HEIGHT REFERENCE SETTING	STABILIZER CRIMP HEIGHT mm [INCH]	TE HOUSING
20 AWG	1.02+/-0.05 [.040+/-0.002]	6.1	2.08 +0/-0.10 [.0819 +.0000/-0.0039]	-



***WARNING**
ON INSTALLATION, SET WIRE DISC TO CRIMP HEIGHT REFERENCE SETTINGS GREATER THAN THE VALUE SHOWN MAY CAUSE DAMAGE TO THE CRIMP TOOLING. REFER TO THE INSTRUCTION SHEET FOR PROPER SETUP AND ADJUSTMENTS.

- RECOMMENDED SPARE PARTS
- REFER TO SUPPLIED INSTRUCTION SHEET FOR CLEANING, LUBRICATION AND STORAGE OF APPLICATOR.
- APPLY PART NUMBER 2-23419-6 LOCTITE TO THREADS OF ITEM 242. APPLY PART NUMBER 1-23419-5 LOCTITE TO THREADS OF ITEM 180.
- CRIMP HEIGHT REFERENCE SETTING WAS THE SETTING USED WHEN THE APPLICATOR WAS QUALIFIED AT THE FACTORY. ADJUSTMENT MAY BE NECESSARY WHEN RUNNING APPLICATOR IN THE FIELD.
- 5. UNLESS SPECIFIED OTHERWISE TORQUE VALUES SHALL BE USED PER DOCUMENT, 101-35000.
- APPLICATOR WAS QUALIFIED TO STABILIZER CRIMP HEIGHT LISTED FOR ALL TERMINALS AND HOUSING COMBINATION ONLY. APPLICABLE HOUSINGS: 926657, 926209, 926659, AND 926663.

LOC	DIST	REVISIONS					
		P	LYR	DESCRIPTION	DATE	OWN	APVD
A	66	B2		ECR-17-012792	31AUG2017	TB	TE
		B3		ECR-18-000786	18JAN2018	JAH	TE
		C		ECR-20-003074	03MAR2020	TB	TE
		D		ECR-20-009140	06JUL2020	JWC	GB

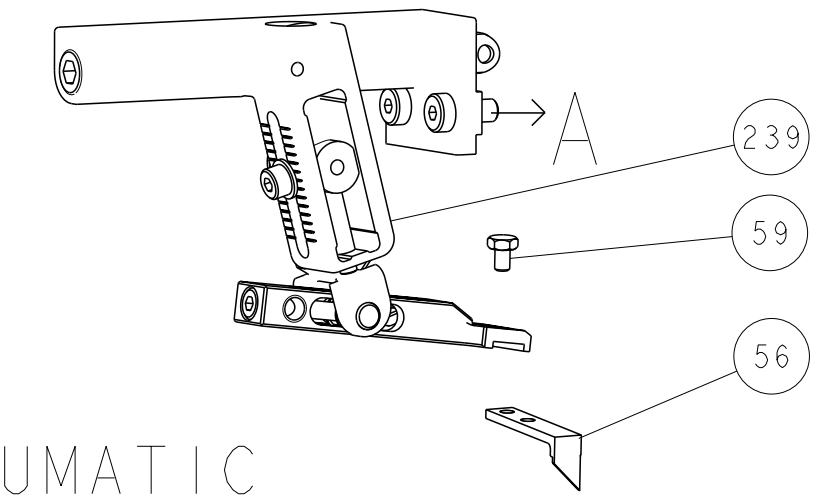
-	-	-	1	1	-	-	1803515-3	RAM ASSEMBLY, SF ATLANTIC	293
-	-	-	1	1	-	-	2-1803583-1	APPLICATOR BASIC ASSEMBLY, SF	292
-	1	1	1	1	1	1	2119791-5	DEPRESSOR, WIRE	286
-	1	1	1	1	1	1	455888-1	SPACER, CRIMPER	263
-	1	1	1	1	1	1	2-238011-0	BLOCK, CRIMPER SPACER	262
1	2	2	1	1	1	1	4-1803019-1	CRIMPER, INSULATION O	261
-	1	-	-	-	-	-	2119641-1	FEED CAM, AIR FEED	248
-	1	1	1	1	1	1	2119082-5	CAM, SNAIL, INSULATION ADJUSTMENT	244
-	1	1	1	1	1	1	2079764-1	WASHER, WAVE SPRING, CREST-TO-CREST	243
-	1	1	1	1	1	1	2119083-1	RETAINER, INSULATION DIAL	242
-	1	1	1	1	1	1	7-18023-7	SCR, SKT HD CAP M3 X 4.0	241
-	-	-	-	-	-	-	2119580-1	MECHANICAL FEED ASSEMBLY	239
-	1	-	-	-	-	-	2844940-1	AIR FEED MODULE	238
-	-	-	-	-	-	-	4-1722335-3	STRIPPER, SIDE FEED	182
-	-	-	-	-	-	-	1-5018030-0	NUT, HEX, REG, RoHS, M3.5	181
3	-	-	-	-	-	-	1-1752354-9	STANDOFF,HOLD-DOWN	180
-	-	-	-	-	-	-	993111-1	PIN, SLOTTED SPRING 3.0 X 20.0	177
-	-	-	-	-	-	-	5-22280-0	SPRING, COMPRESSION	176
-	-	-	-	-	-	-	1752353-3	GUIDE PIN,HOLDDOWN	175
-	-	-	-	-	-	-	1901680-2	GUIDE PIN,HOLDDOWN	174
-	REF	REF	REF	REF	REF	REF	994970-2	COUNTER, MAGNETIC	164
-	1	1	1	1	1	1	2844908-1	SCREW, LOCKING	99
-	1	1	1	1	1	1	2844907-1	POST, LOCKING	98
-	1	1	1	1	1	1	455888-4	SPACER, CRIMPER	82
-	1	1	1	1	1	1	1803607-3	DOCUMENTATION PACKAGE	71
-	1	1	1	1	1	1	2119740-1	TAG, IDENTIFICATION	67
-	2	2	2	2	2	2	2168078-1	SCREW, DRIVE, RH, RoHS, 2 x .188	66
-	1	1	1	1	1	1	2168083-2	SCR, SKT HD CAP, RoHS, M4 X 8.0	60
-	1	1	1	1	1	1	5-18022-5	SCR, HEX HD CAP, M4 X 6.0	59
-	1	1	1	1	1	1	1338685-1	PAWL, FEED	56
-	4	4	4	4	4	4	2168083-3	SCR, SKT HD CAP, RoHS, M4 X 12.0	54
-	2	2	-	-	2	2	1-2168083-0	SCR, SKT HD CAP, RoHS, M4 X 10	53
-	1	1	-	-	-	-	5018030-1	NUT, HEX, REG, RoHS, M3	52
-	1	1	-	-	-	-	811242-5	BUMPER, HOLD DOWN	51
-	1	1	-	-	-	-	690753-2	SPACER, TONKER	50
-	1	2	1	2	1	2	18023-9	SCR, SKT HD CAP M4 X 6.0	49
-	-	-	-	-	-	-	2119652-1	FEED CAM, PRE FEED	48
-	-	-	-	-	-	-	2119653-1	FEED CAM, POST FEED	47
-	1	1	-	-	-	-	1803583-9	APPLICATOR BASIC ASSEMBLY, SF	46
-	1	1	-	-	-	-	1803515-1	RAM ASSEMBLY, SF ATLANTIC	44
-	1	1	1	1	1	1	1803602-1	SCR, BHSC, RoHS (M8 X 25)	41
-	1	1	1	1	1	1	3-1752356-4	SUPPORT, TERMINAL	34
-	2	2	2	2	2	2	2079383-5	SCR, BHSC, RoHS (M4 X 20)	33
-	2	2	2	2	2	2	2-2844962-4	SPACER, CYLINDRICAL, STRIP GUIDE	30
-	1	1	1	1	1	1	2844992-1	ASSEMBLY, STRIP GUIDE	29
-	1	1	1	1	1	1	1320928-2	STRIP GUIDE	24
-	1	1	-	-	-	-	2168083-2	SCR, SKT HD CAP, RoHS, M4 X 8.0	21
-	2	2	1	1	2	2	1-18028-2	WASHER, FLAT, REG M4	20
-	1	1	-	-	-	-	2119533-1	STRIPPER, SIDE FEED	19
1	1	1	1	1	1	1	2119806-1	INSERT, SHEAR	13
-	1	1	1	1	1	1	3-22280-3	SPRING, COMPRESSION	12
-	1	1	1	1	1	1	1-356885-4	STOP, SHEAR	11
1	1	1	1	1	1	1	2119805-1	SHEAR HOLDER, FRONT	10
1	1	1	1	1	1	1	1803095-6	FLOATING SHEAR, FRONT	9
1	2	2	1	1	1	1	1-1633917-8	ANVIL, COMBINATION	8
-	-	-	-	-	-	-	-	-	7
-	-	-	-	-	-	-	-	-	6
-	1	1	1	1	1	1	2119757-8	DEPRESSOR, SHEAR	5
-	1	1	1	1	1	1	1-238011-7	BLOCK, CRIMPER SPACER	4
1	2	2	1	1	1	1	9-2119784-3	CRIMPER, INSULATION O PREMIUM	3
-	1	1	1	1	1	1	455888-2	SPACER, CRIMPER	2
1	2	2	1	1	1	1	2-456402-5	CRIMPER, WIRE PREMIUM	1

ATLANTIC VERSION
Shown on sheets 1 of 4 & 2 of 4
(Pacific version shown on sheets 3 of 4 & 4 of 4)

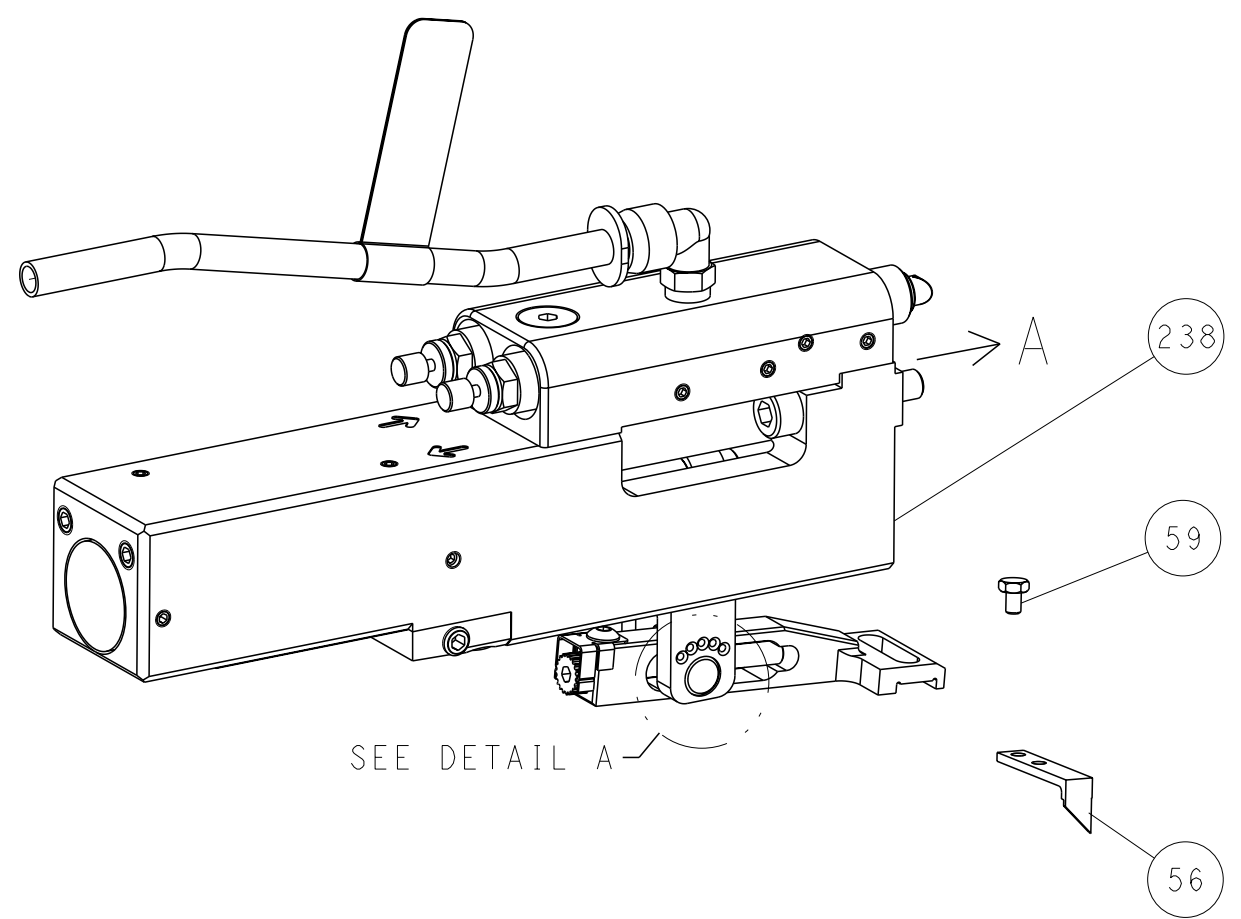
DIMENSIONS:		TOLERANCES UNLESS OTHERWISE SPECIFIED:		APPLICATOR DATA	
mm	0 PLC	±		OWN	20AUG2013
	1 PLC	±		CHK	20AUG2013
	2 PLC	±		U. GUO	
	3 PLC	±		APVD	20AUG2013
	4 PLC	±		NAME	
	ANGLES	±	*	PRODUCT SPEC	
	FINISH			APPLICATION SPEC	
MATERIAL				SIZE	CAGE CODE
				00779	2266021
				WEIGHT	
				CUSTOMER DRAWING	
				SCALE	1:2
				SHEET	1 of 4
				REV	D

LOC	DIST	REVISIONS			
A	66	REV	DATE	OWN	APVD
		-	SEE SHEET 1	-	-

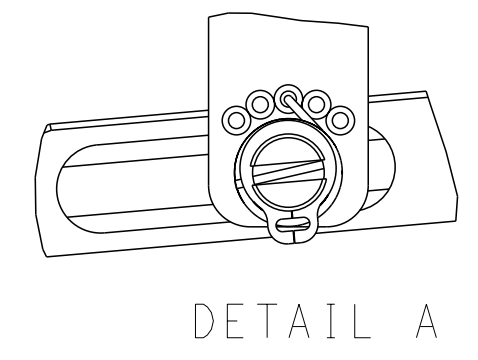
FEED TYPE MECHANICAL



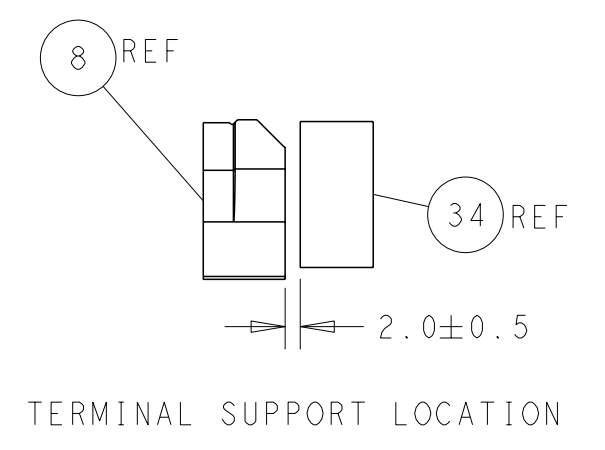
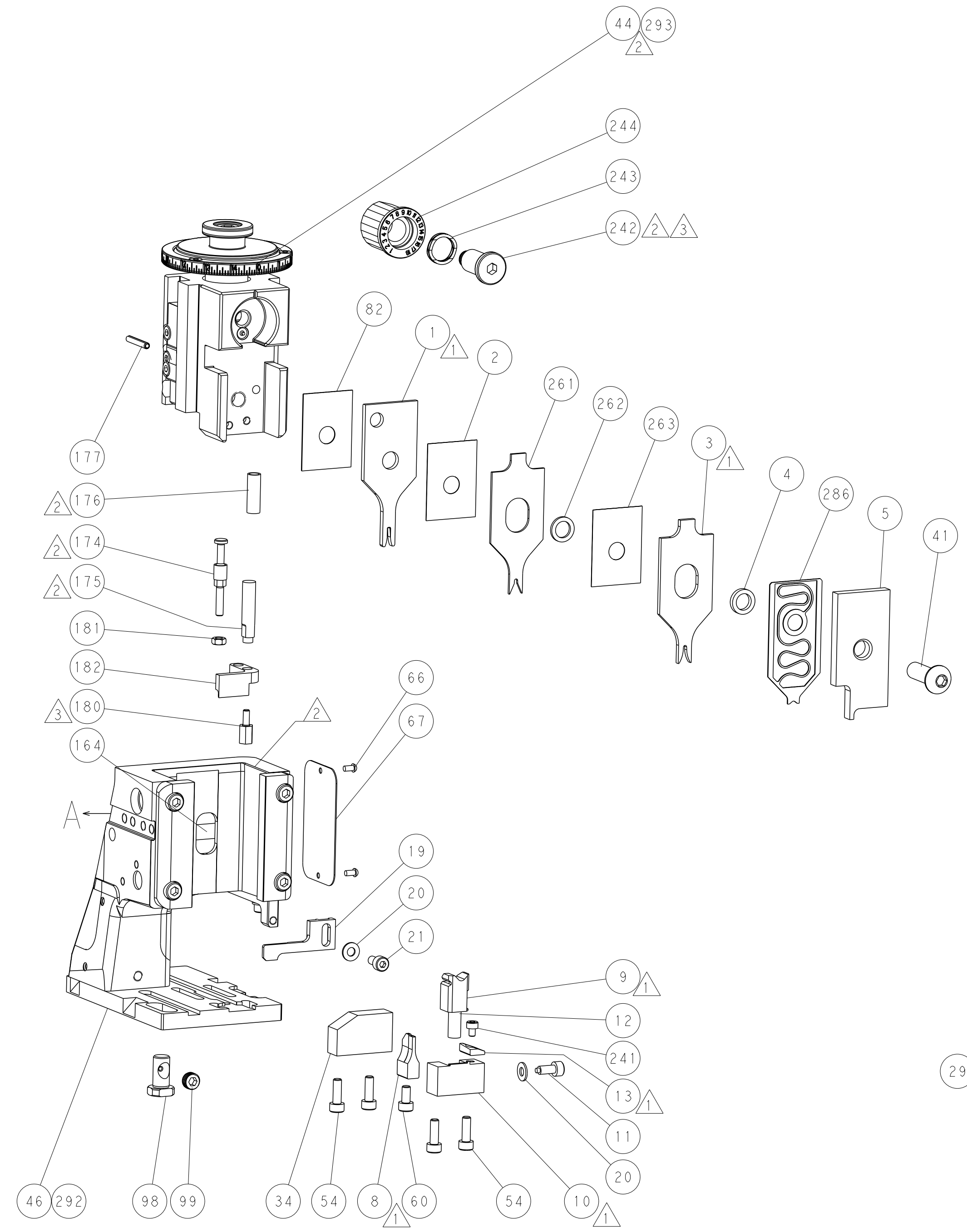
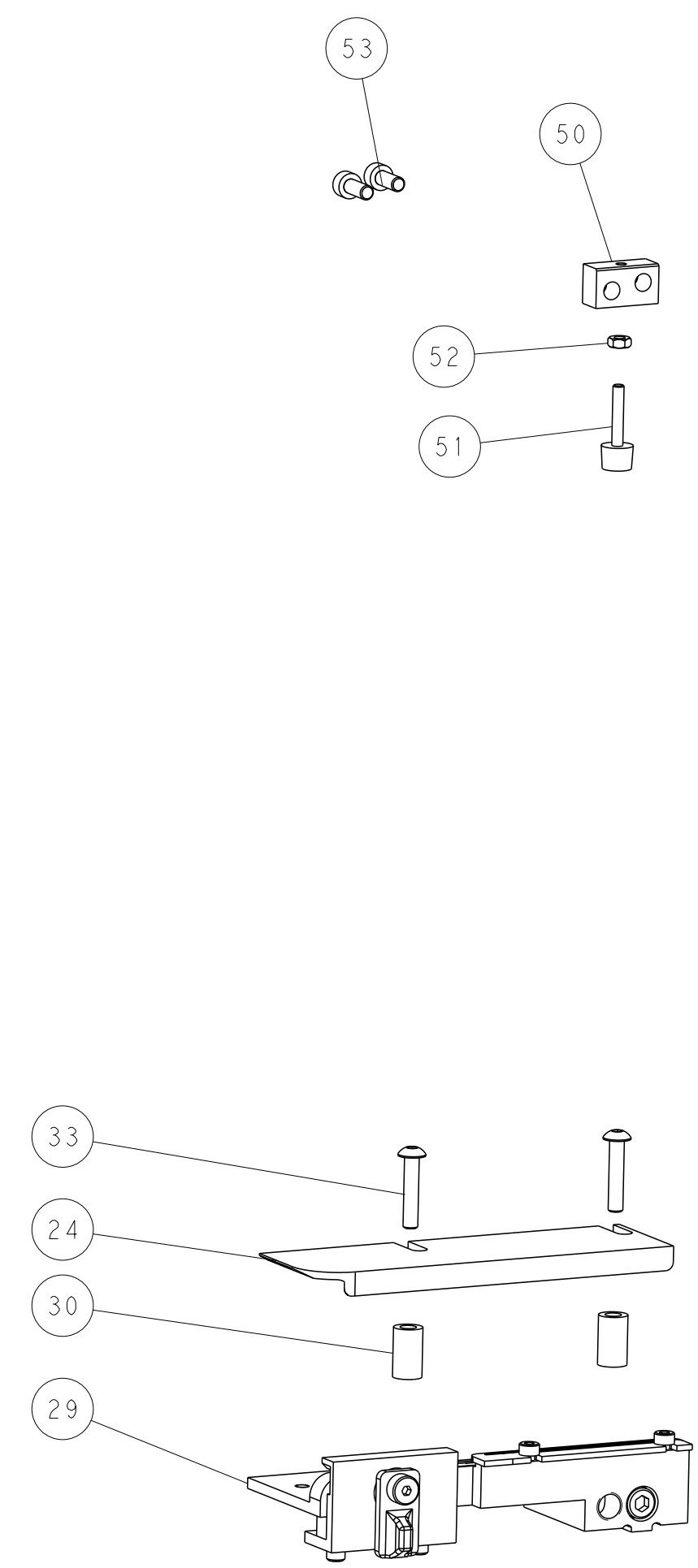
PNEUMATIC



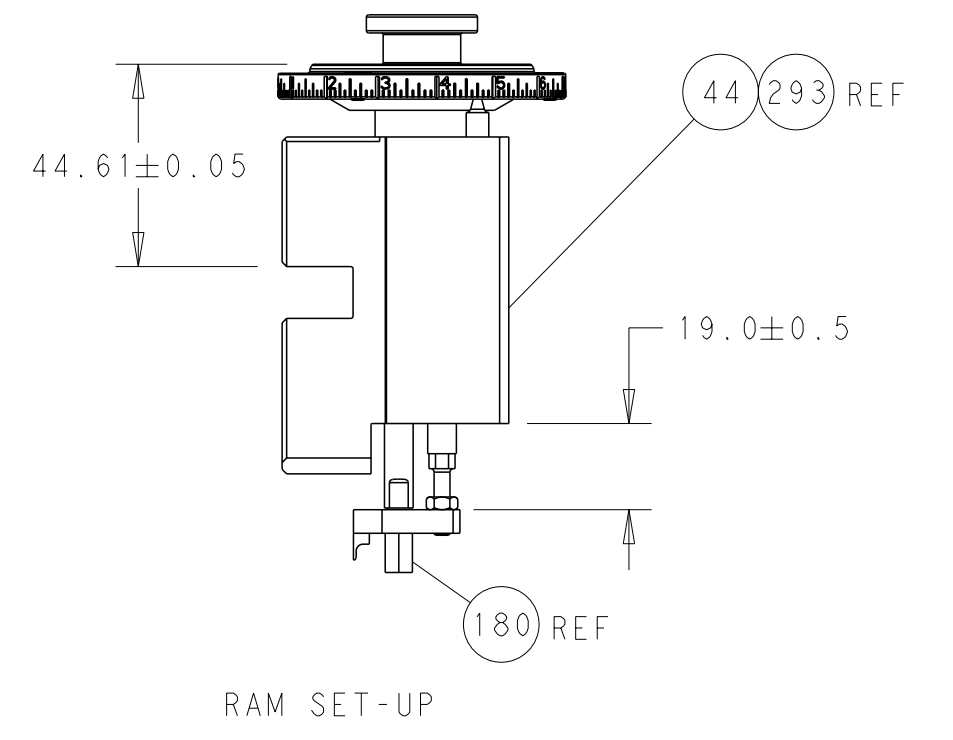
FEED SPRING SETTING POSITION (SHOWN FROM REAR SIDE)



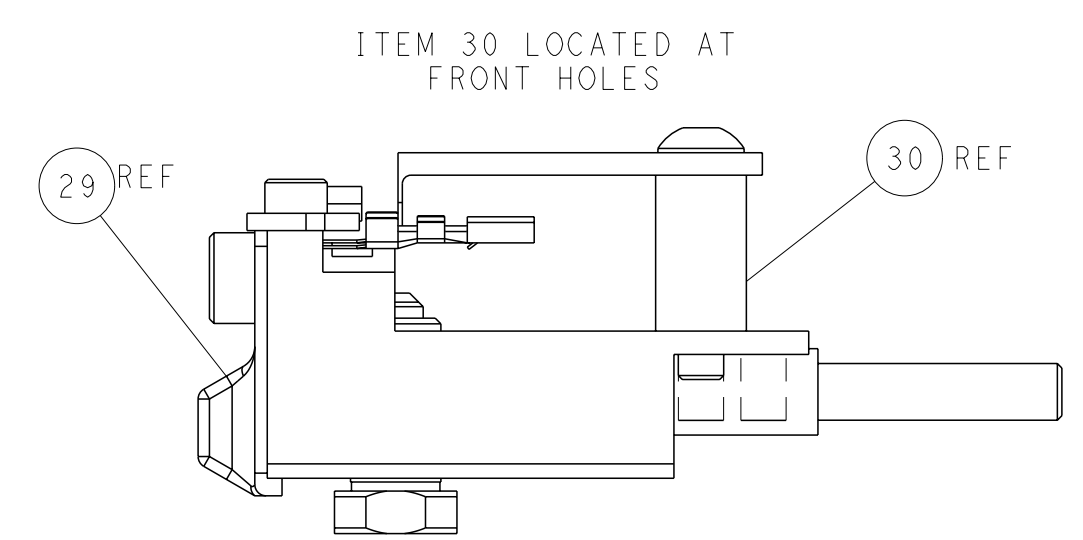
DETAIL A



TERMINAL SUPPORT LOCATION

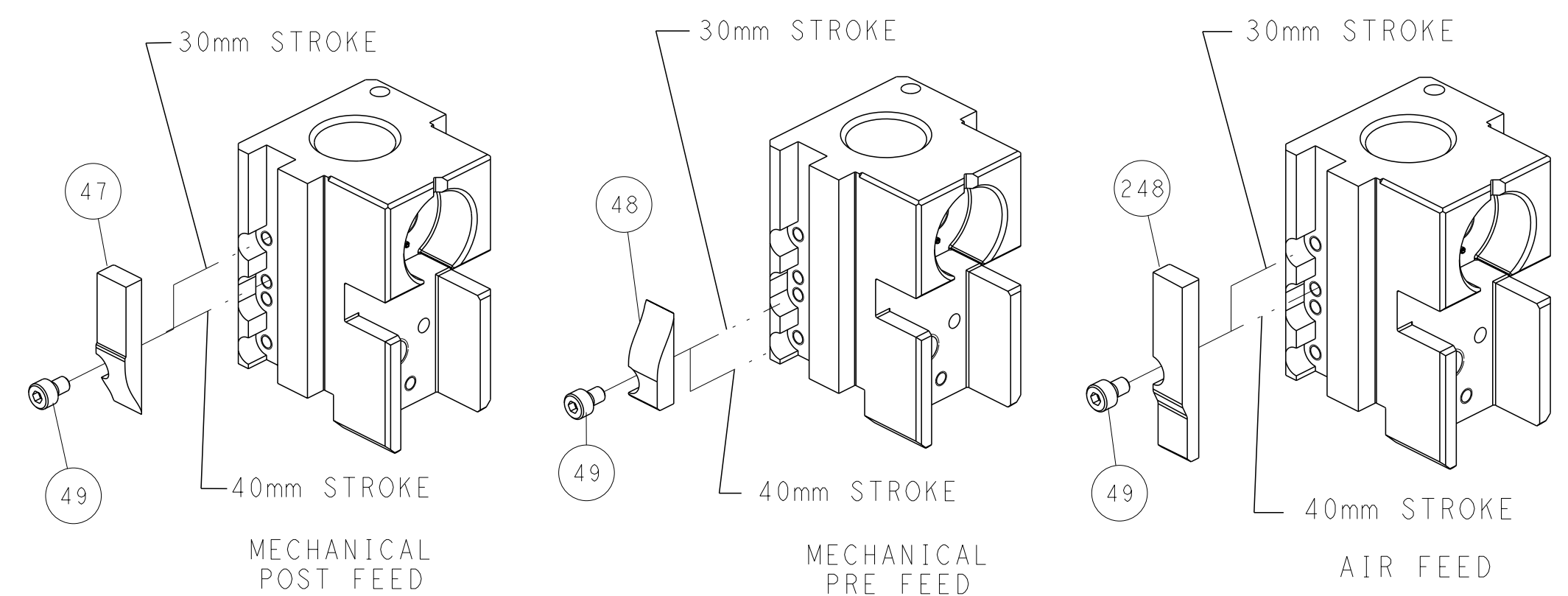


RAM SET-UP



FEED TRACK POSITION GUIDE BY INSULATION BARREL

CAM POSITIONS

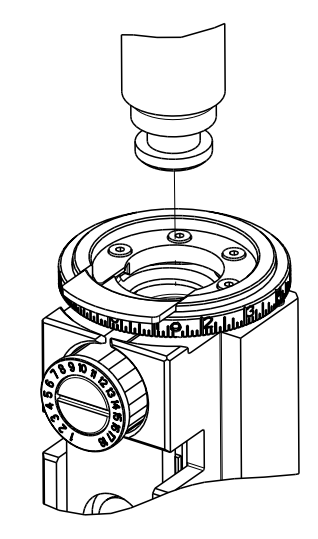


ATLANTIC VERSION
 Shown on sheets 1 of 4 & 2 of 4
 (Pacific version shown on sheets 3 of 4 & 4 of 4)

DIMENSIONS: mm 		TOLERANCES UNLESS OTHERWISE SPECIFIED: 0 PLC ± 1 PLC ± 2 PLC ± 3 PLC ± 4 PLC ± ANGLES ° ±		DWN C. CHEN 20AUG2013 CHK U. GUO 20AUG2013 APVD J. CRUZ 20AUG2013 PRODUCT SPEC APPLICATION SPEC WEIGHT CUSTOMER DRAWING		NAME Ocean Side Feed Applicator SIZE A1 CAGE CODE 00779 DRAWING NO. C=2266021 SCALE 1:2 SHEET 2 of 4 REV D		RESTRICTED TO	
--------------------	--	---	--	---	--	--	--	---------------	--

PART NUMBER	REVISION	DESCRIPTION	FEED TYPE
2-2266021-1	D	FINE CRIMP HEIGHT ADJUST	MECHANICAL
2-2266021-2	D	FINE CRIMP HEIGHT ADJUST	PNEUMATIC
7-2266021-7	A	CRIMP TOOLING KIT	-

PACIFIC VERSION TERMINATOR INTERFACE ADAPTER



APPLICATOR DATA		
CRIMP	SIZE	TYPE
WIRE	1.40 mm [.055]	F
STAB	1.78 mm [.070]	O
INSUL	1.78 mm [.070]	O

APPLICATOR INSTRUCTIONS 408-35042

TERMINAL DATA: TE TERMINAL		TE CRIMP SPECIFICATION	
TERMINAL NAME: CONTACT-LOCKING CLIP			
WIRE STRIP LENGTH		INSULATION DIAMETER RANGE	
3.58-4.34 mm [.141-.171 IN]		Ø0.96-1.57 mm [.038-.062 IN]	
TERMINAL APPLICATION SPECIFICATION	114-25006/6	-	-
TERMINALS APPLIED/6			
TE TERMINAL	TE TERMINAL	TE TERMINAL	TE TERMINAL
87124-1	87124-2	87124-3	5-87124-2
2267356-1			

TERMINAL DATA: TE TERMINAL		TE CRIMP SPECIFICATION	
TERMINAL NAME: CONTACT-LOCKING CLIP			
WIRE STRIP LENGTH		INSULATION DIAMETER RANGE	
3.58-4.34 mm [.141-.171 IN]		Ø1.27-2.54 mm [.050-.100 IN]	
TERMINAL APPLICATION SPECIFICATION	114-25006/6	-	-
TERMINALS APPLIED/6			
TE TERMINAL	TE TERMINAL	TE TERMINAL	TE TERMINAL
867052-1	867052-2	5-867052-1	

WIRE SIZE	CRIMP HEIGHT mm [INCH]	CRIMP HEIGHT REFERENCE SETTING	STABILIZER CRIMP HEIGHT mm [INCH]	TE HOUSING
22 AWG	0.86 +/- 0.05 [.034 +/- .002]	7.9	2.08 +0/-0.10 [.0819 +.0000/- .0039]	-
24 AWG	0.76 +/- 0.05 [.030 +/- .002]	8.9	2.08 +0/-0.10 [.0819 +.0000/- .0039]	-
26 AWG	0.76 +/- 0.05 [.030 +/- .002]	9.0	2.08 +0/-0.10 [.0819 +.0000/- .0039]	-

WIRE SIZE	CRIMP HEIGHT mm [INCH]	CRIMP HEIGHT REFERENCE SETTING	STABILIZER CRIMP HEIGHT mm [INCH]	TE HOUSING
20 AWG	1.02 +/- 0.05 [.040 +/- .002]	6.1	2.08 +0/-0.10 [.0819 +.0000/- .0039]	-

***WARNING**
 ON INSTALLATION, SET WIRE DISC TO CRIMP HEIGHT REFERENCE SETTING FOR LARGEST WIRE SIZE. CRIMP HEIGHT REFERENCE SETTINGS GREATER THAN THE VALUE SHOWN MAY CAUSE DAMAGE TO THE CRIMP TOOLING. REFER TO THE INSTRUCTION SHEET FOR PROPER SETUP AND ADJUSTMENTS.

- 1. RECOMMENDED SPARE PARTS
- 2. REFER TO SUPPLIED INSTRUCTION SHEET FOR CLEANING, LUBRICATION AND STORAGE OF APPLICATOR.
- 3. APPLY PART NUMBER 2-23419-6 LOCTITE TO THREADS OF ITEM 242.
- 4. CRIMP HEIGHT REFERENCE SETTING WAS THE SETTING USED WHEN THE APPLICATOR WAS QUALIFIED AT THE FACTORY. ADJUSTMENT MAY BE NECESSARY WHEN RUNNING APPLICATOR IN THE FIELD.
- 5. UNLESS SPECIFIED OTHERWISE TORQUE VALUES SHALL BE USED PER DOCUMENT, 101-35000.
- 6. APPLICATOR WAS QUALIFIED TO STABILIZER CRIMP HEIGHT LISTED FOR ALL TERMINALS AND HOUSING COMBINATION ONLY. APPLICABLE HOUSINGS: 926657, 926209, 926659, AND 926663.

LOC	DIST	REVISIONS			
A	66	REV	DATE	BY	APPV
-	-	1	SEE SHEET 1	-	-

-	1	1	2119791-5	DEPRESSOR, WIRE	286
-	1	1	455888-1	SPACER, CRIMPER	263
-	1	1	2-238011-0	BLOCK, CRIMPER SPACER	262
1	1	1	4-1803019-1	CRIMPER, INSULATION O	261
-	1	1	2119082-5	CAM, SNAIL, INSULATION ADJUSTMENT	244
-	1	1	2079764-1	WASHER, WAVE SPRING, CREST-TO-CREST	243
-	1	1	2119083-1	RETAINER, INSULATION DIAL	242
-	1	1	7-18023-7	SCR, SKT HD CAP M3 X 4.0	241
-	-	1	2119580-1	MECHANICAL FEED ASSEMBLY	239
-	1	-	2844940-1	AIR FEED MODULE	238
-	REF	REF	994970-2	COUNTER, MAGNETIC	164
-	1	-	2119641-2	FEED CAM, AIR FEED	151
-	1	1	2168083-8	SCR, SKT HD CAP, RoHS, M4 X 16	144
-	4	4	2168083-9	SCR, SKT HD CAP, RoHS, M4 X 20	143
-	-	1	2119653-2	FEED CAM, POST FEED	142
-	1	1	1-1803583-0	APPLICATOR BASIC ASSEMBLY, SF	141
-	1	1	1803516-1	RAM ASSEMBLY, SF PACIFIC	140
-	1	1	2844908-1	SCREW, LOCKING	99
-	1	1	2844907-1	POST, LOCKING	98
-	1	1	455888-4	SPACER, CRIMPER	82
-	1	1	1803607-3	DOCUMENTATION PACKAGE	71
-	1	1	2119740-1	TAG, IDENTIFICATION	67
-	2	2	2168078-1	SCREW, DRIVE, RH, RoHS, 2 x .188	66
-	1	1	5-18022-5	SCR, HEX HD CAP, M4 X 6.0	59
-	1	1	1338685-1	PAWL, FEED	56
-	2	2	1-2168083-0	SCR, SKT HD CAP, RoHS, M4 X 10	53
-	1	1	5018030-1	NUT, HEX, REG, RoHS, M3	52
-	1	1	811242-5	BUMPER, HOLD DOWN	51
-	1	1	690753-2	SPACER, TONKER	50
-	1	2	18023-9	SCR, SKT HD CAP M4 X 6.0	49
-	-	1	2119652-1	FEED CAM, PRE FEED	48
-	1	1	1803602-1	SCR, BHSC, RoHS (M8 X 25)	41
-	1	1	3-1752356-4	SUPPORT, TERMINAL	34
-	2	2	2079383-5	SCR, BHSC, RoHS (M4 X 20)	33
-	2	2	2-2844962-4	SPACER, CYLINDRICAL, STRIP GUIDE	30
-	1	1	2844992-1	ASSEMBLY, STRIP GUIDE	29
-	1	1	1320928-2	STRIP GUIDE	24
-	1	1	2168083-2	SCR, SKT HD CAP, RoHS, M4 X 8.0	21
-	2	2	1-18028-2	WASHER, FLAT, REG M4	20
-	1	1	2119533-1	STRIPPER, SIDE FEED	19
-	1	1	2119806-1	INSERT, SHEAR	13
-	1	1	3-22280-3	SPRING, COMPRESSION	12
-	1	1	1-356885-4	STOP, SHEAR	11
-	1	1	2119805-1	SHEAR HOLDER, FRONT	10
-	1	1	1803095-6	FLOATING SHEAR, FRONT	9
1	1	1	1-1633917-8	ANVIL, COMBINATION	8
-	-	-	-	-	7
-	-	-	-	-	6
-	1	1	2119757-8	DEPRESSOR, SHEAR	5
-	1	1	1-238011-7	BLOCK, CRIMPER SPACER	4
1	1	1	9-2119784-3	CRIMPER, INSULATION O PREMIUM	3
-	1	1	455888-2	SPACER, CRIMPER	2
1	1	1	2-456402-5	CRIMPER, WIRE PREMIUM	1

PACIFIC VERSION
 Shown on sheets 3 of 4 & 4 of 4
 (Atlantic version shown on sheets 1 of 4 & 2 of 4)

DIMENSIONS:		TOLERANCES UNLESS OTHERWISE SPECIFIED:		MATERIAL:	
mm	0 PLC ±	1 PLC ±	2 PLC ±	3 PLC ±	4 PLC ±
	ANGLES FINISH *				

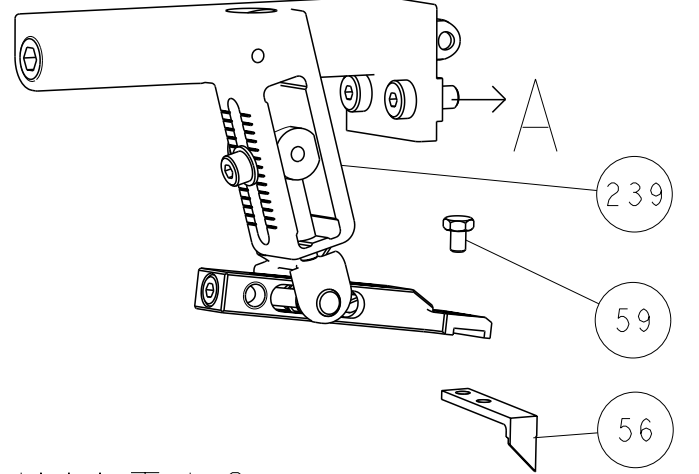
OWN	CHK	APPV	NAME
C. CHEN	U. GUO	J. CRUZ	Ocean Side Feed Applicator

SIZE	CAGE CODE	DRAWING NO	RESTRICTED TO
A1	00779	2266021	-

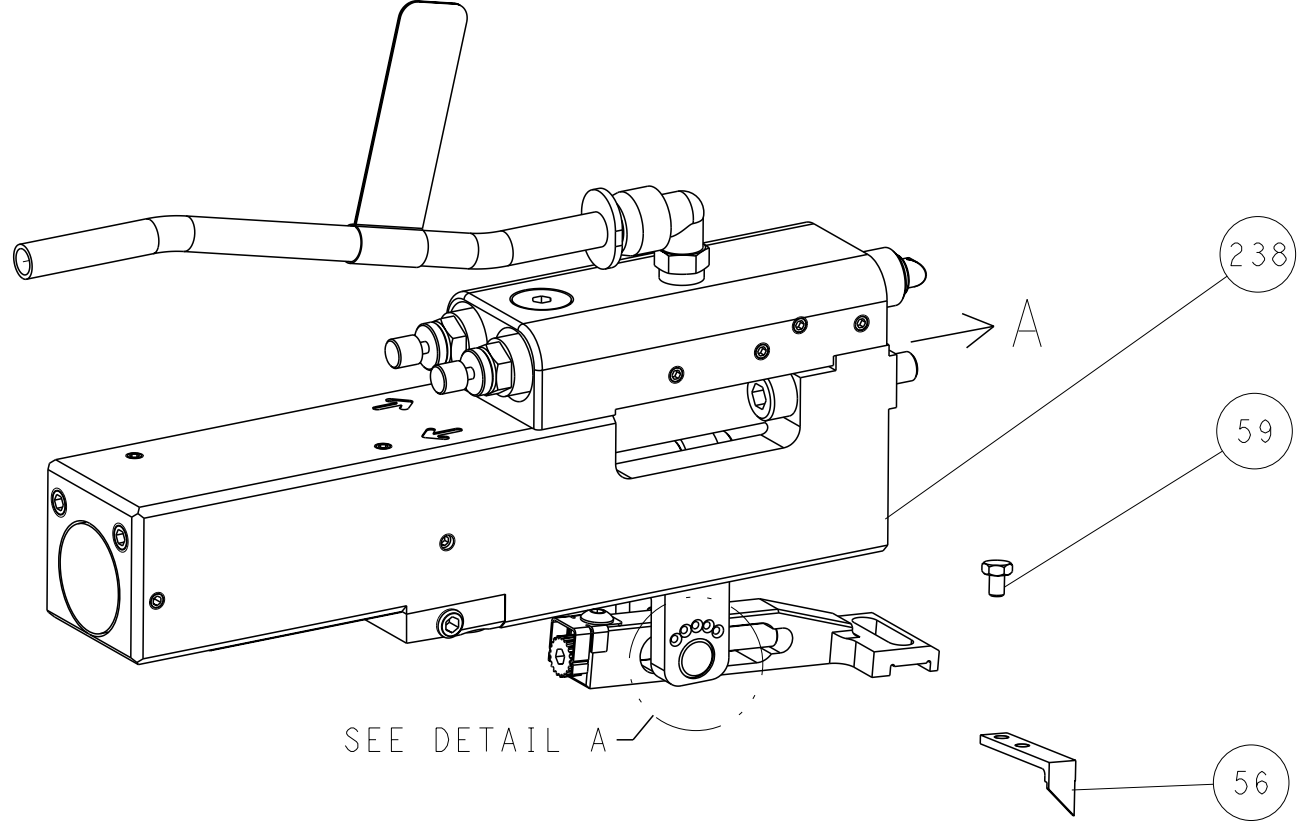
CUSTOMER DRAWING SCALE 1:2 SHEET 3 OF 4 REV D

LOC		DIST		REVISIONS			
A	66	P	LYR	DESCRIPTION	DATE	OWN	APVD
		-		SEE SHEET 1			

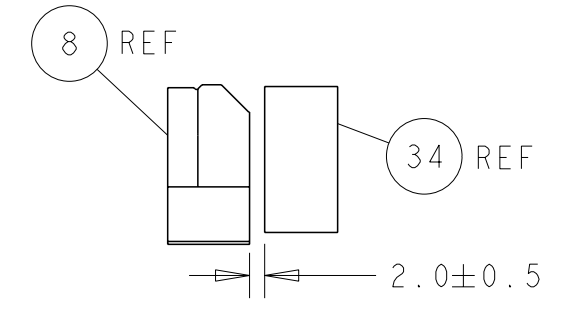
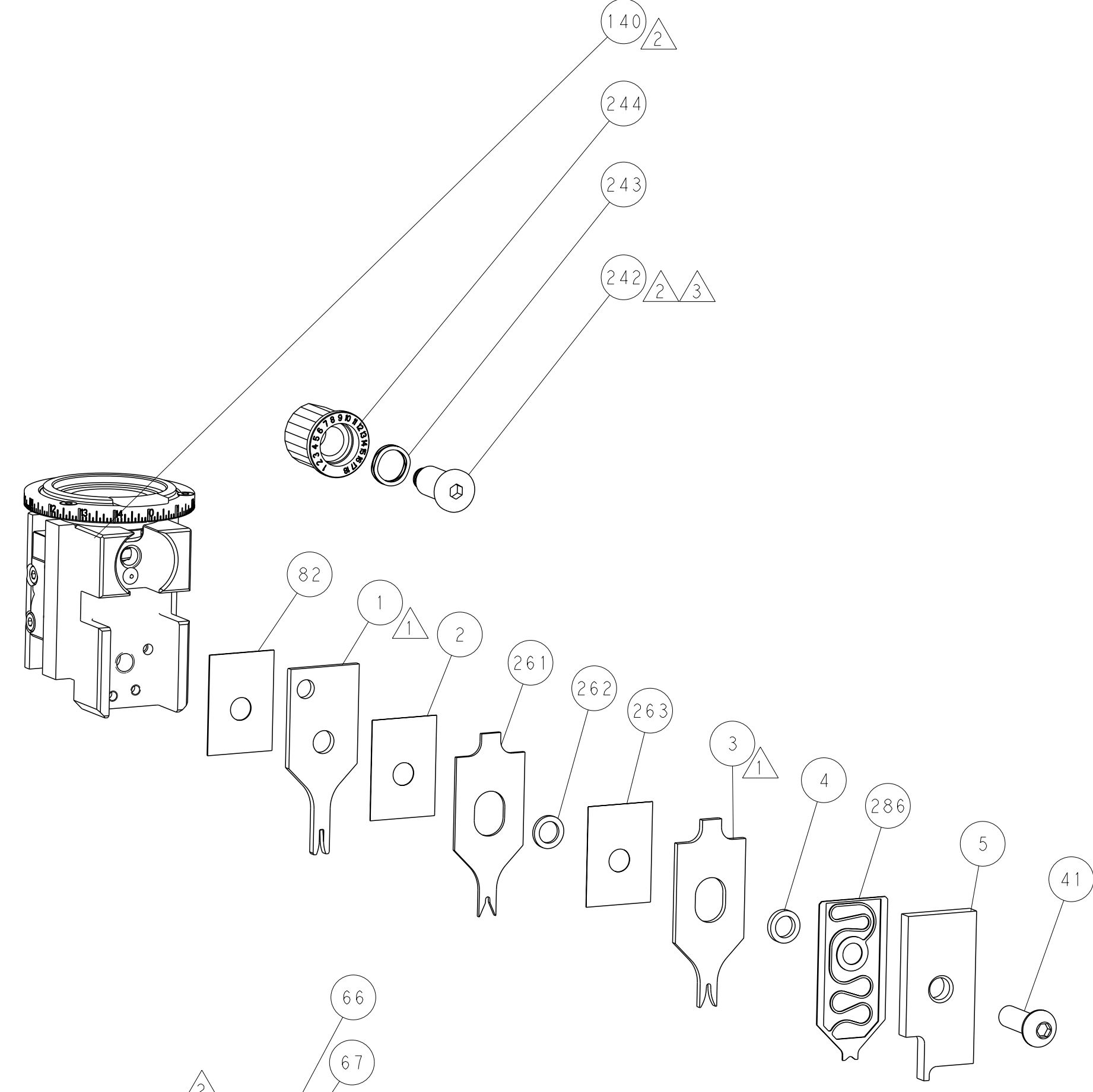
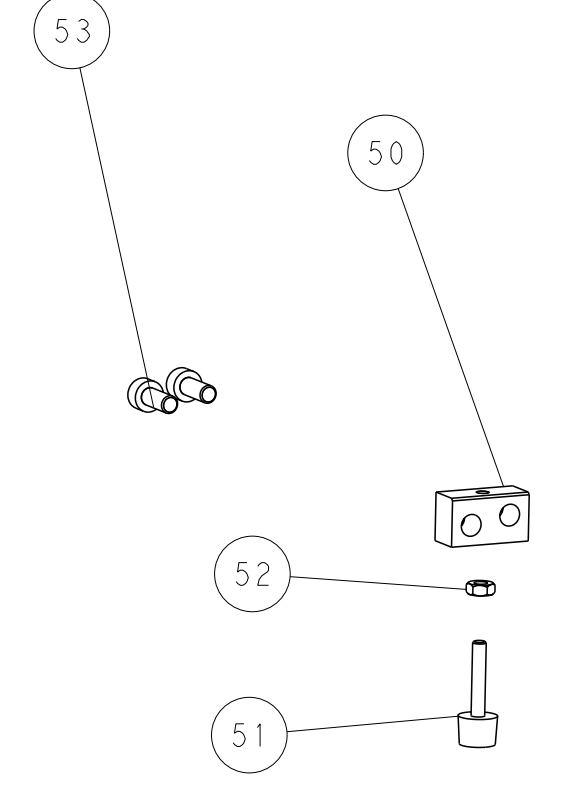
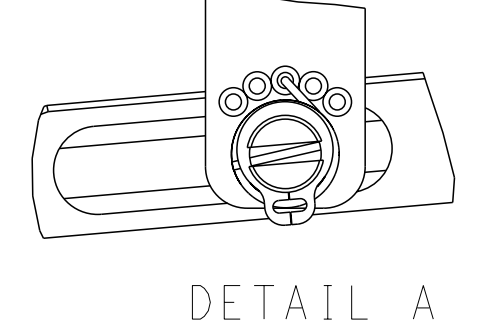
FEED TYPE MECHANICAL



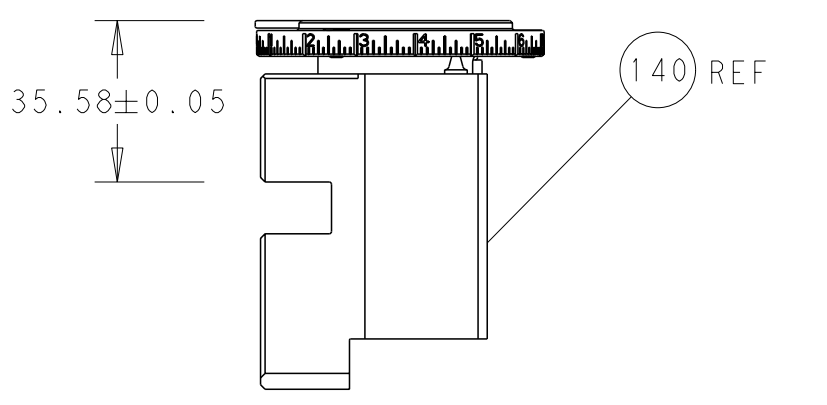
PNEUMATIC



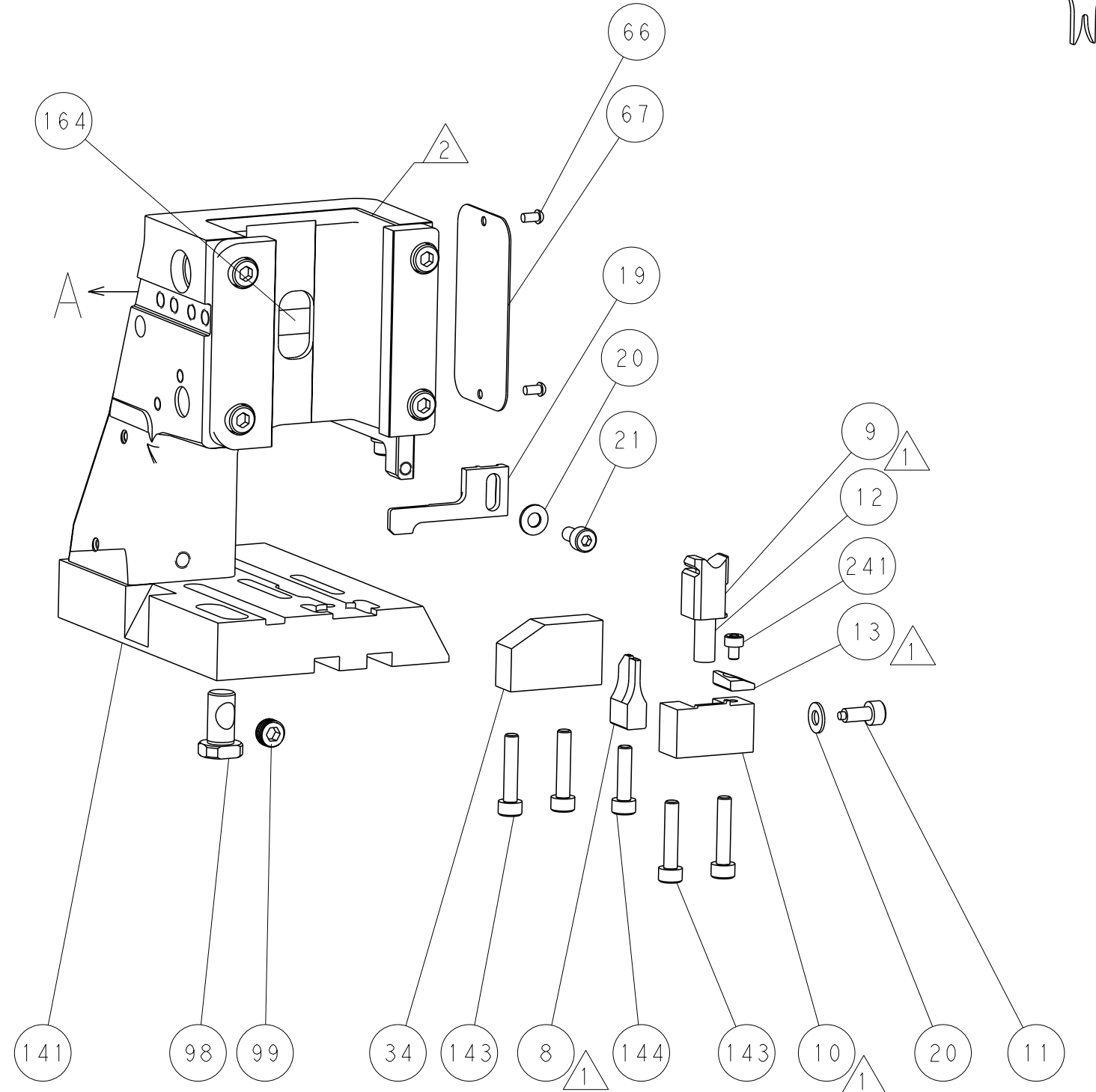
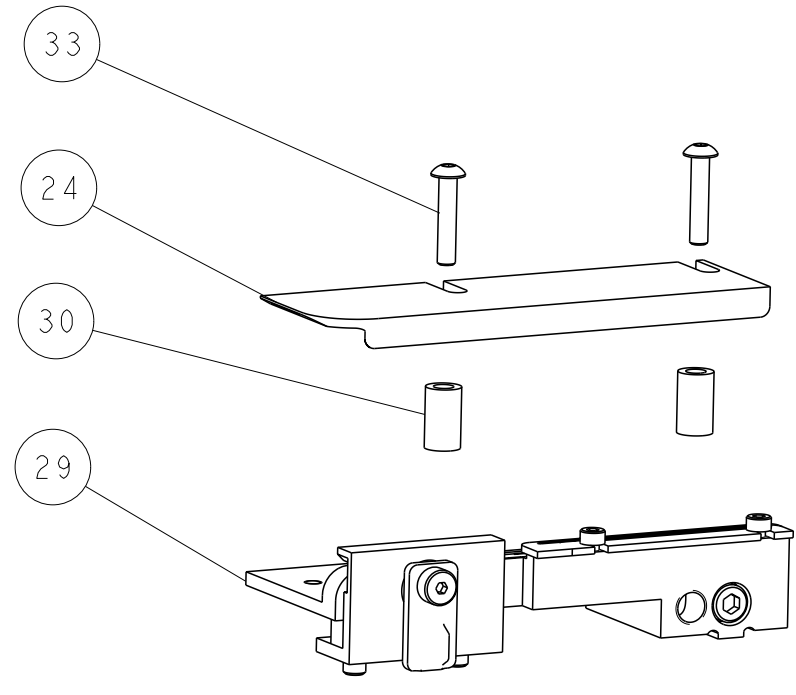
FEED SPRING SETTING POSITION (SHOWN FROM REAR SIDE)



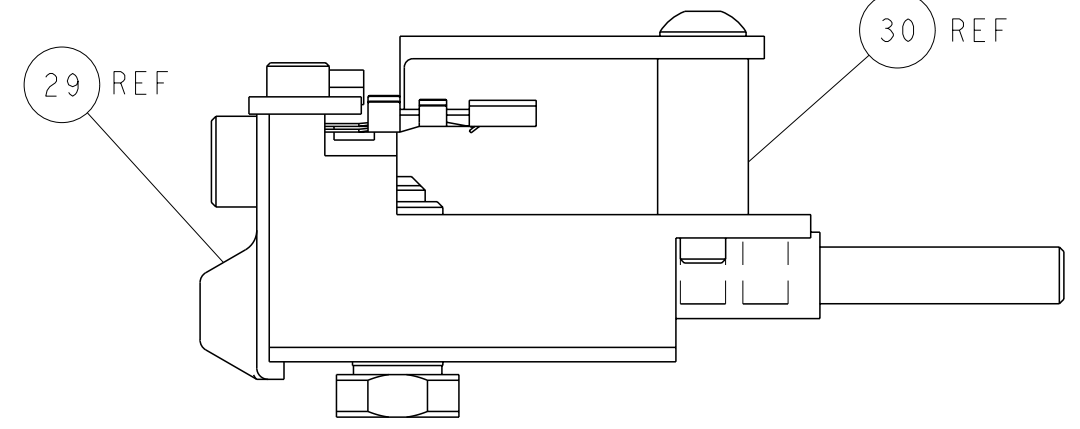
TERMINAL SUPPORT LOCATION



RAM SET-UP

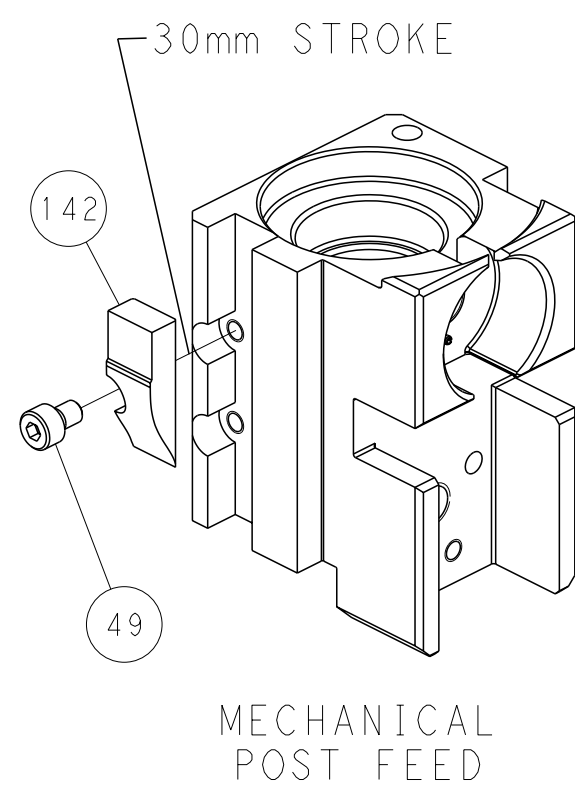


ITEM 30 LOCATED AT FRONT HOLES

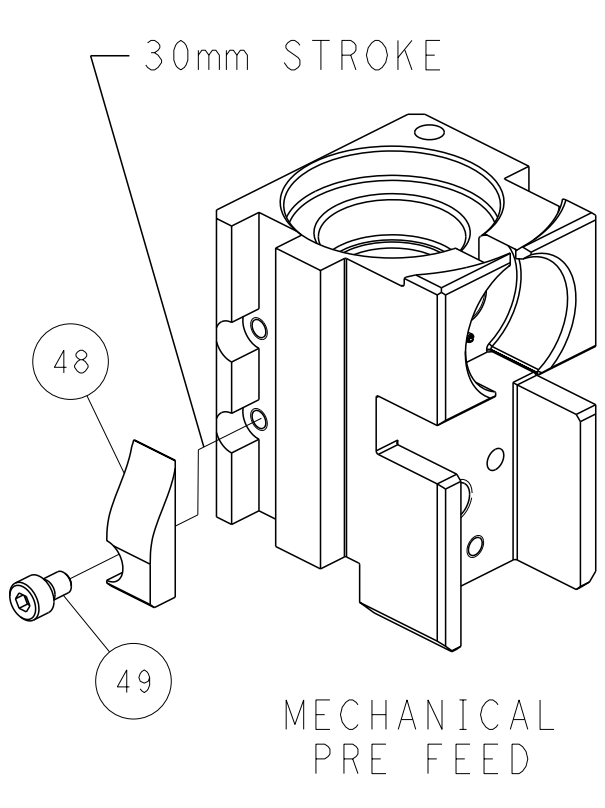


FEED TRACK POSITION GUIDE BY INSULATION BARREL

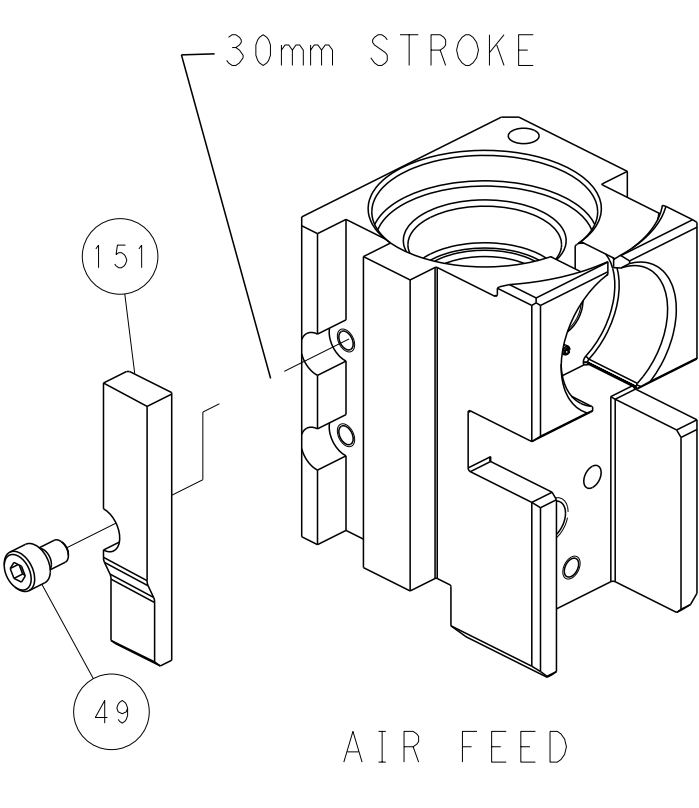
CAM POSITIONS



MECHANICAL POST FEED



MECHANICAL PRE FEED



AIR FEED

PACIFIC VERSION
 Shown on sheets 3 of 4 & 4 of 4
 (Atlantic version shown on sheets 1 of 4 & 2 of 4)

<small>THIS DRAWING IS A CONTROLLED DOCUMENT FOR TYCO ELECTRONICS CORPORATION. IT IS SUBJECT TO CHANGE AND THE CONTROLLING ENGINEERING ORGANIZATION SHOULD BE CONTACTED FOR THE LATEST REVISION.</small>		OWN: C. CHEN 20AUG2013 CHK: U. GUO 20AUG2013 APVD: J. CRUZ 20AUG2013	NAME: TE Connectivity Harrisburg, PA 17105-3608
DIMENSIONS: mm TOLERANCES UNLESS OTHERWISE SPECIFIED: 0 PLC ± 1 PLC ± 2 PLC ± 3 PLC ± 4 PLC ± ANGLES FINISH *	APPLICATION SPEC PRODUCT SPEC CUSTOMER DRAWING	SIZE: A1 CAGE CODE: 00779 DRAWING NO: C-2266021	RESTRICTED TO: - SCALE: 1:2 SHEET: 4 of 4 REV: D

Mouser Electronics

Authorized Distributor

Click to View Pricing, Inventory, Delivery & Lifecycle Information:

[TE Connectivity:](#)

[2266021-1](#)