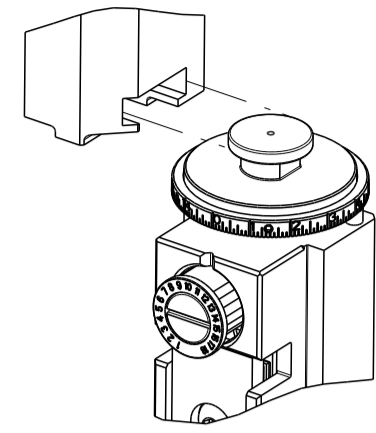


PART NUMBER	REVISION	DESCRIPTION	FEED TYPE
2151943-1	B	FINE CRIMP HEIGHT ADJUST	MECHANICAL
2151943-2	B	FINE CRIMP HEIGHT ADJUST	PNEUMATIC
7-2151943-1	B	MECHANICAL AND CRIMP TOOLING KIT	MECHANICAL
7-2151943-2	B	PNEUMATIC AND CRIMP TOOLING KIT	PNEUMATIC
7-2151943-7	A	CRIMP TOOLING KIT	-

ATLANTIC VERSION TERMINATOR INTERFACE ADAPTER

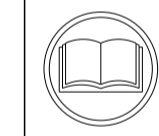


APPLICATOR DATA		
CRIMP	SIZE	TYPE
WIRE	1.40 mm [.055]	F
INSUL	1.68 mm [.066]	O

APPLICATOR INSTRUCTIONS
408-35042

TERMINAL DATA: DELPHI TERMINAL DELPHI CRIMP SPECIFICATION			
TERMINAL NAME: TAXI TERM F OCS 1.2			
WIRE STRIP LENGTH	INSULATION DIAMETER RANGE		
3.78-3.79 mm [.149-.149 IN]	Ø1.47-1.90 mm [.058-.075 IN]		
TERMINAL APPLICATION SPECIFICATION	13627884 Rev -		
TERMINALS APPLIED			
TE TERMINAL	DELPHI TERMINAL	TE TERMINAL	DELPHI TERMINAL
2113340-1	13627884		

WIRE SIZE	CRIMP HEIGHT mm [INCH]	CRIMP HEIGHT REFERENCE SETTING
0.50mm2	0.90 +/- 0.05 [.035 +/- .002]	8.3
0.35mm2	0.85 +/- 0.05 [.033 +/- .002]	8.8



- 1 RECOMMENDED SPARE PARTS
- 2 REFER TO SUPPLIED INSTRUCTION SHEET FOR CLEANING, LUBRICATION AND STORAGE OF APPLICATOR.
- 3 APPLY PART NUMBER 2-23419-6 LOCTITE TO THREADS OF ITEM 242.
- 4 CRIMP HEIGHT REFERENCE SETTING WAS THE SETTING USED WHEN THE APPLICATOR WAS QUALIFIED AT THE FACTORY. ADJUSTMENT MAY BE NECESSARY WHEN RUNNING APPLICATOR IN THE FIELD.
- 5. UNLESS SPECIFIED OTHERWISE TORQUE VALUES SHALL BE USED PER DOCUMENT, 101-35000.
- 6 CABLE TYPE CODE LEGEND 1005, SAE. INSULATION DIAMETER 1.60-1.88.
- 7 CABLE TYPE CODE LEGEND 1047, SAE. INSULATION DIAMETER 1.40-1.75.

***WARNING**
ON INSTALLATION, SET WIRE DISC TO CRIMP HEIGHT REFERENCE SETTING FOR LARGEST WIRE SIZE. CRIMP HEIGHT REFERENCE SETTINGS GREATER THAN THE VALUE SHOWN MAY CAUSE DAMAGE TO THE CRIMP TOOLING. REFER TO THE INSTRUCTION SHEET FOR PROPER SETUP AND ADJUSTMENTS.

ATLANTIC VERSION
Shown on sheets 1 of 4 & 2 of 4
(Pacific version shown on sheets 3 of 4 & 4 of 4)

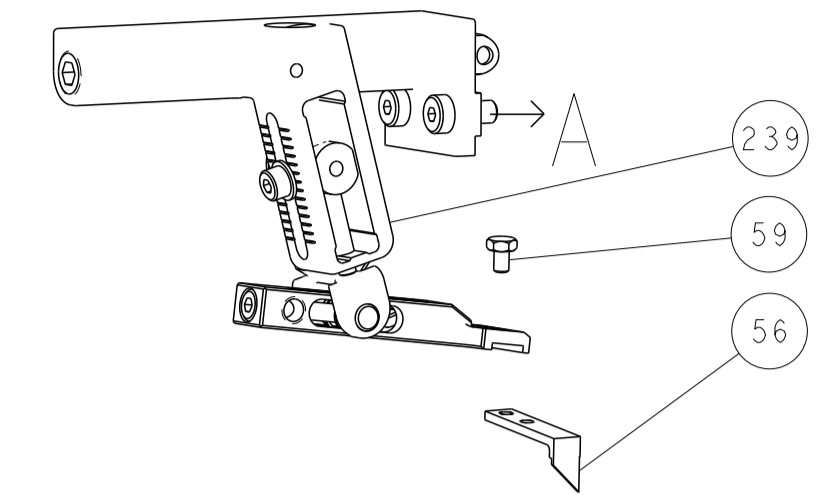
LOC	DIST	REVISIONS					
A	66	P	LTN	DESCRIPTION	DATE	OWN	APVD
		A		RELEASED	23MAY2013	RW	TE
		B		ECR-18-008463	02JUN2018	TB	TE

-	1	-	1	-	2119640-1	PUSH ROD, AIR FEED	250
-	1	-	1	-	2079988-1	BUSHING, LCH5-12, MISUMI	249
-	1	-	1	-	2119641-1	FEED CAM, AIR FEED	248
-	1	1	1	1	2119082-8	CAM, SNAIL, INSULATION ADJUSTMENT	244
-	1	1	1	1	2079764-1	WASHER, WAVE SPRING, CREST-TO-CREST	243
-	1	1	1	1	2119083-1	RETAINER, INSULATION DIAL	242
-	1	1	1	1	7-18023-7	SCR, SKT HD CAP M3 X 4.0	241
-	-	1	-	1	2119580-1	MECHANICAL FEED ASSEMBLY	239
-	1	-	1	-	2063440-1	AIR FEED MODULE	238
-	2	-	2	-	21045-3	RING, RETAIN, EXTERN, 3/16 CRESCENT	172
-	REF	REF	REF	REF	994970-2	COUNTER, MAGNETIC	164
-	1	-	1	-	240638-1	SPRING, FEED FINGER	163
-	1	-	1	-	3-23627-7	PIN, RETAIN, GRVD, 3/16 X .854	137
-	1	-	1	-	2119799-1	HOLDER, FEED FINGER, AF	136
-	1	1	1	1	1-22281-8	SPRING, COMPRESSION	121
-	1	1	1	1	1-18028-2	WASHER, FLAT, REG M4	119
-	1	1	1	1	2844908-1	SCREW, LOCKING	99
-	1	1	1	1	2844907-1	POST, LOCKING	98
-	1	1	1	1	1-690438-0	FRONT STRIP GUIDE	96
-	2	2	2	2	2168083-1	SCR, SKT HD CAP, RoHS, M3 X 8.0	95
-	1	1	1	1	2168083-6	SCR, SKT HD CAP, RoHS, M5 X 65	93
-	1	1	1	1	455888-5	SPACER, CRIMPER	82
-	1	1	1	1	22278-8	SPRING, COMPRESSION	77
-	1	1	1	1	854769-4	HOLDER, INS	74
-	1	1	1	1	1803607-1	DOCUMENTATION PACKAGE	71
-	1	1	1	1	2119740-1	TAG, IDENTIFICATION	67
-	2	2	2	2	2168078-1	SCREW, DRIVE, RH, RoHS, 2 x .188	66
-	2	2	2	2	2-18032-5	SCR, SET, FLT PNT, M5 X 20.0	61
-	1	1	1	1	2168083-2	SCR, SKT HD CAP, RoHS, M4 X 8.0	60
-	1	1	1	1	5-18022-5	SCR, HEX HD CAP, M4 X 6.0	59
-	1	1	1	1	21028-2	PIN, SLOTTED SPRING .062 X .250	58
-	1	1	1	1	1338685-1	PAWL, FEED	56
-	4	4	4	4	2168083-3	SCR, SKT HD CAP, RoHS, M4 X 12.0	54
-	2	2	2	2	2-2168083-5	SCR, SKT HD CAP, RoHS, M4 X 14	53
-	1	1	1	1	1803382-6	HOLD DOWN, SPRING LOADED	50
-	1	2	1	2	18023-9	SCR, SKT HD CAP M4 X 6.0	49
-	-	1	-	1	2119652-1	FEED CAM, PRE FEED	48
-	-	1	-	1	2119653-1	FEED CAM, POST FEED	47
-	1	1	1	1	1803583-9	APPLICATOR BASIC ASSEMBLY, SF	46
-	1	1	1	1	1803515-1	RAM ASSEMBLY, SF ATLANTIC	44
-	1	1	1	1	1803602-1	SCR, BHSC, RoHS (M8 X 25)	41
-	1	1	1	1	1752356-6	SUPPORT, TERMINAL	34
-	2	2	2	2	2079383-5	SCR, BHSC, RoHS (M4 X 20)	33
-	2	2	2	2	2-2844962-4	SPACER, CYLINDRICAL, STRIP GUIDE	30
-	1	1	1	1	2844938-1	PLATE, STRIP GUIDE	29
-	1	1	1	1	455888-3	SPACER, CRIMPER	28
-	2	2	2	2	22283-1	SPRING, COMPRESSION	27
-	1	1	1	1	356835-1	LEVER, DRAG RELEASE	26
-	1	1	1	1	240792-5	DRAG, TERMINAL	25
-	1	1	1	1	1320928-2	STRIP GUIDE	24
-	1	1	1	1	980371-4	SCR, SKT HD SHLDR 5.0 DIA X 6.0	23
-	1	1	1	1	2168083-2	SCR, SKT HD CAP, RoHS, M4 X 8.0	21
-	1	1	1	1	1-18028-2	WASHER, FLAT, REG M4	20
-	1	1	1	1	2119533-1	STRIPPER, SIDE FEED	19
-	1	1	1	1	2119806-1	INSERT, SHEAR	13
-	1	1	1	1	3-22280-3	SPRING, COMPRESSION	12
-	1	1	1	1	1-356885-4	STOP, SHEAR	11
-	1	1	1	1	2119805-1	SHEAR HOLDER, FRONT	10
-	1	1	1	1	1633861-4	SHEAR, FLOATING	9
-	1	2	2	1	1-1633917-7	ANVIL, COMBINATION	8
-	1	1	1	1	240641-3	SPACER	7
-	-	-	-	-	-	-	6
-	1	1	1	1	1-2119780-1	DEPRESSOR, SHEAR	5
-	1	1	1	1	1-238011-7	BLOCK, CRIMPER SPACER	4
-	1	2	2	1	1-1633966-9	CRIMPER, INSULATION O	3
-	1	1	1	1	455888-7	SPACER, CRIMPER	2
-	1	2	2	1	1-456402-4	CRIMPER, WIRE PREMIUM	1

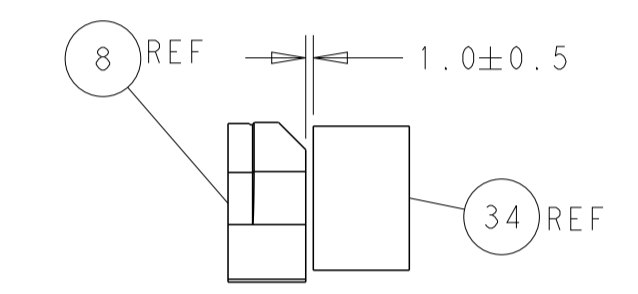
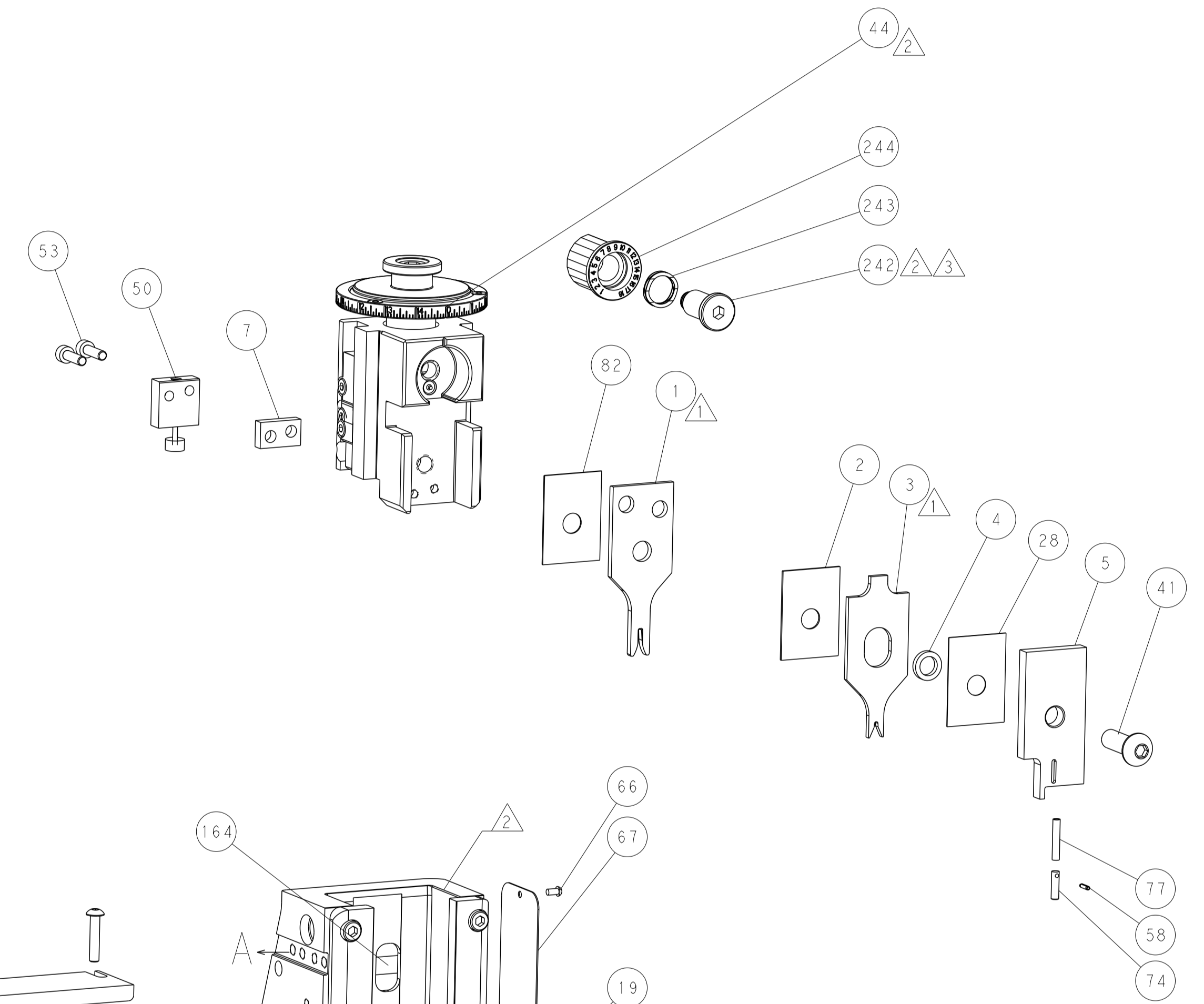
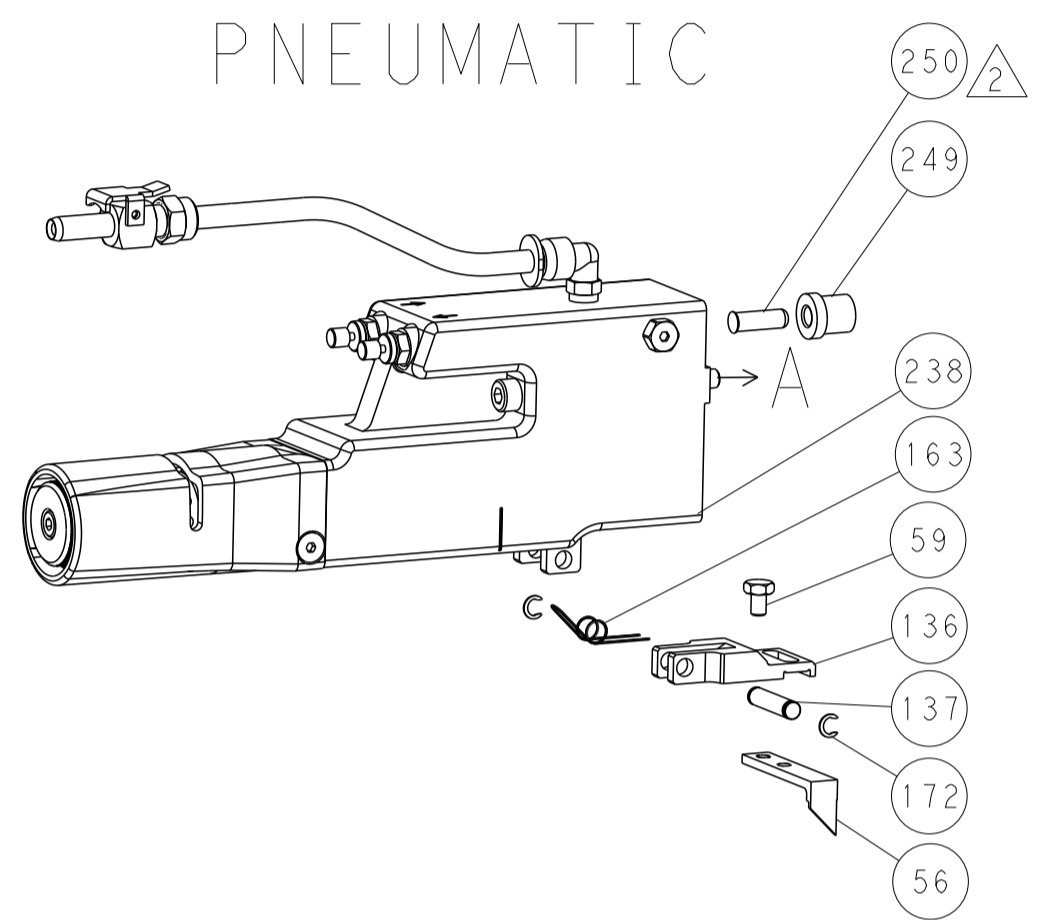
DIMENSIONS:		TOLERANCES UNLESS OTHERWISE SPECIFIED:		MATERIAL:		FINISH:		WEIGHT:		SCALE:	
mm	0 PLC ±	1 PLC ±	2 PLC ±	3 PLC ±	4 PLC ±	ANGLES	FINISH			Customer Accessible Production Drawing	SCALE 1:2
APVD: T. L. ELBIN		APVD: T. L. ELBIN		APVD: T. L. ELBIN		APVD: T. L. ELBIN		APVD: T. L. ELBIN		APVD: T. L. ELBIN	
CHK: R. O. WILSON		CHK: R. O. WILSON		CHK: R. O. WILSON		CHK: R. O. WILSON		CHK: R. O. WILSON		CHK: R. O. WILSON	
DATE: 29APR2013		DATE: 29APR2013		DATE: 29APR2013		DATE: 29APR2013		DATE: 29APR2013		DATE: 29APR2013	
DRAWING NO: 2151943		DRAWING NO: 2151943		DRAWING NO: 2151943		DRAWING NO: 2151943		DRAWING NO: 2151943		DRAWING NO: 2151943	
SHEET 1 OF 4		SHEET 1 OF 4		SHEET 1 OF 4		SHEET 1 OF 4		SHEET 1 OF 4		SHEET 1 OF 4	

LOC	DIST	REV	DATE	BY	APPV
A	66				

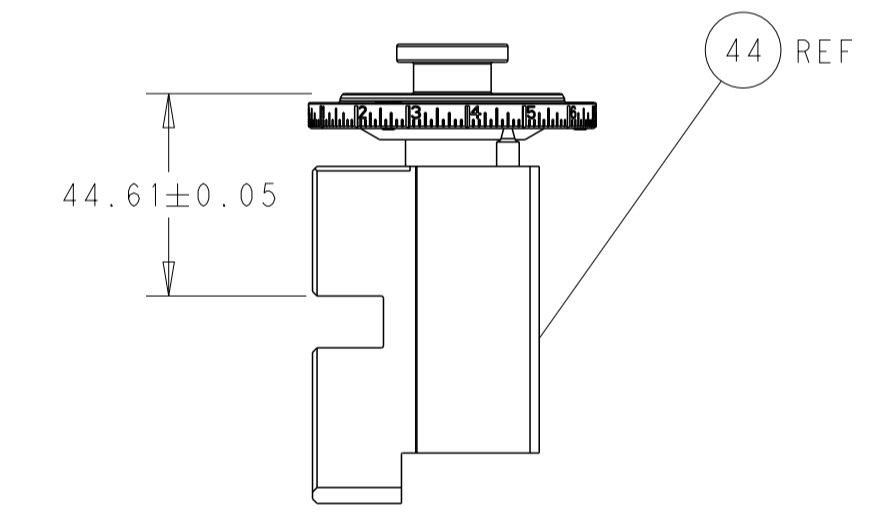
FEED TYPE MECHANICAL



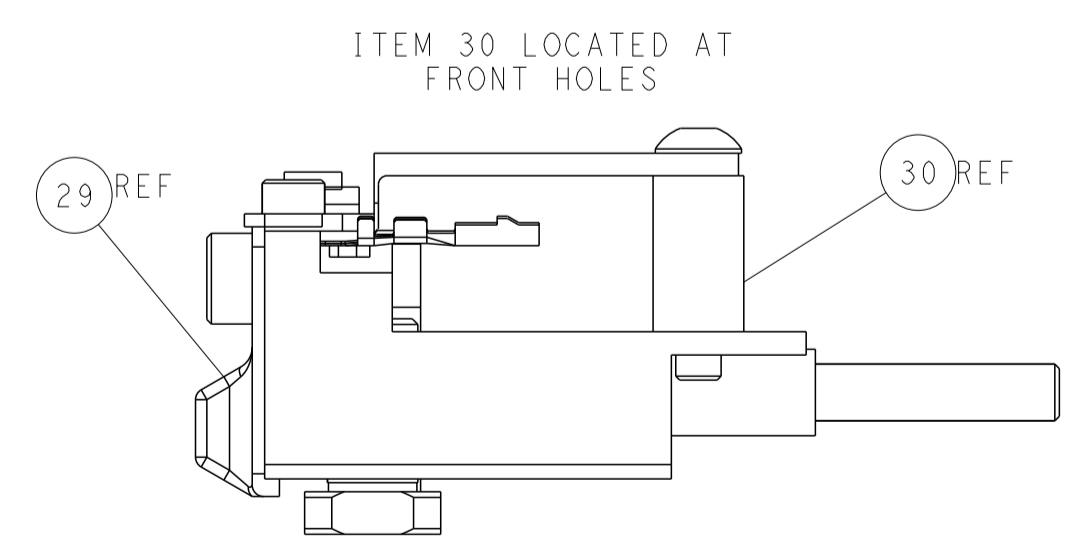
PNEUMATIC



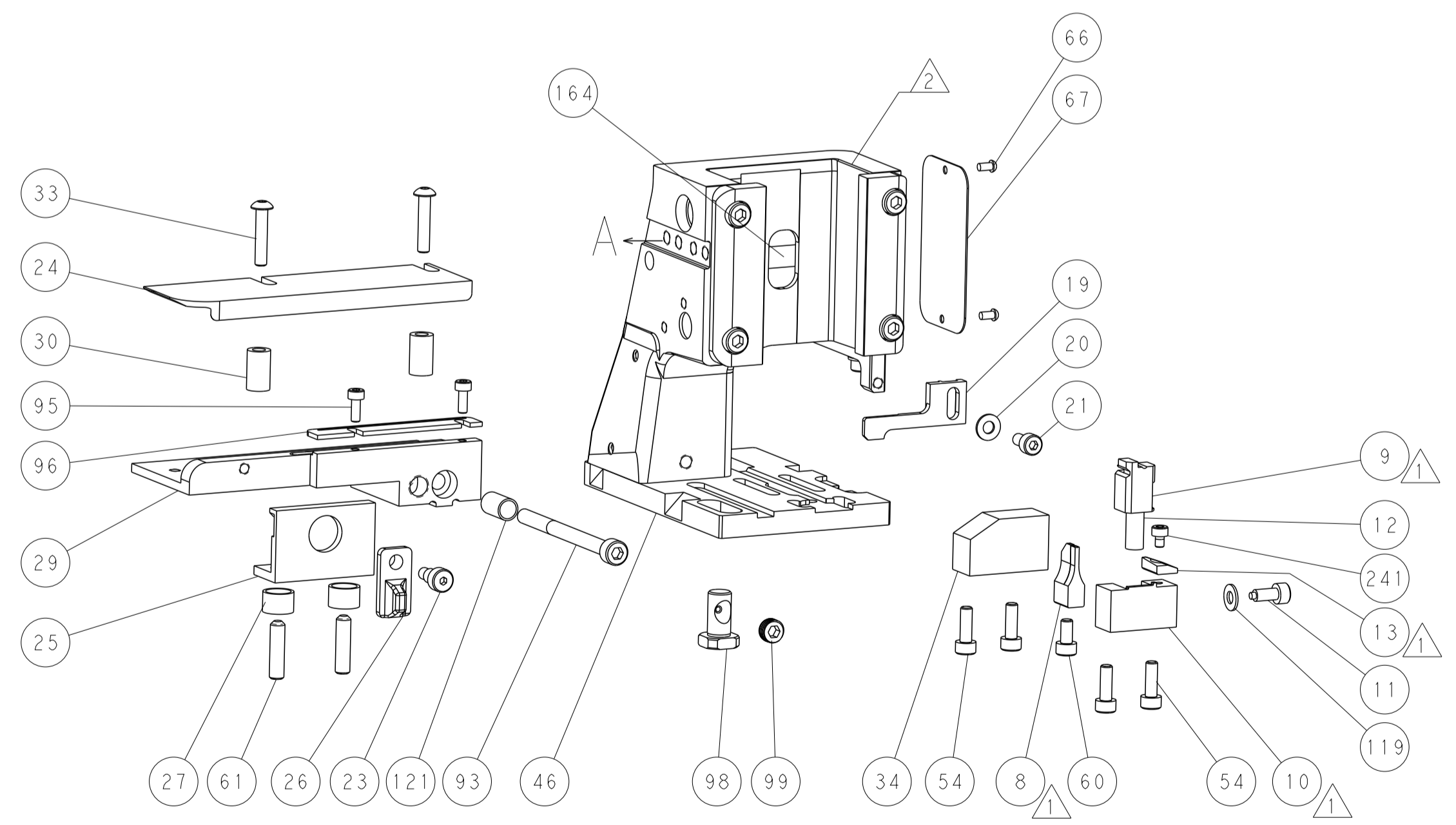
TERMINAL SUPPORT LOCATION



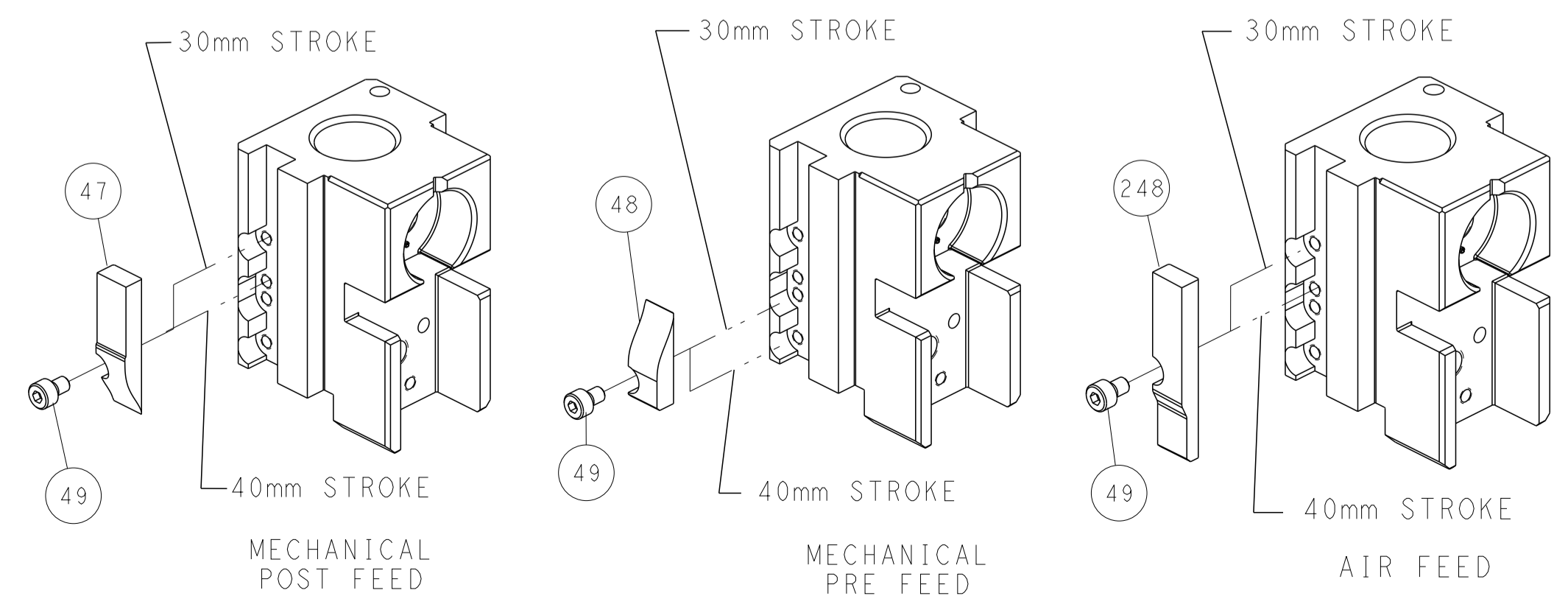
RAM SET-UP



FEED TRACK POSITION GUIDE BY INSULATION BARREL



CAM POSITIONS



ATLANTIC VERSION
 Shown on sheets 1 of 4 & 2 of 4
 (Pacific version shown on sheets 3 of 4 & 4 of 4)

DIMENSIONS: mm 		TOLERANCES UNLESS OTHERWISE SPECIFIED: 0 PLC ± 1 PLC ± 2 PLC ± 3 PLC ± 4 PLC ± ANGLES ±		DWN: R. O. WILSON 22APR2013 CHK: K. J. STAKEM 29APR2013 APVD: T. L. ELBIN 29APR2013 PRODUCT SPEC APPLICATION SPEC WEIGHT SCALE: 1:2		NAME: Ocean Side Feed Applicator SIZE: A1 CAGE CODE: 00779 DRAWING NO: 2151943 SHEET 2 OF 4 REV B	
MATERIAL:				FINISH:		RESTRICTED TO:	

PART NUMBER	REVISION	DESCRIPTION	FEED TYPE
2-2151943-1	B	FINE CRIMP HEIGHT ADJUST	MECHANICAL
2-2151943-2	B	FINE CRIMP HEIGHT ADJUST	PNEUMATIC
7-2151943-7	A	CRIMP TOOLING KIT	-

PACIFIC VERSION TERMINATOR
INTERFACE ADAPTER



APPLICATOR DATA		
CRIMP	SIZE	TYPE
WIRE	1.40 mm [.055]	F
INSUL	1.68 mm [.066]	O
APPLICATOR INSTRUCTIONS 408-35042		

TERMINAL DATA: DELPHI TERMINAL DELPHI CRIMP SPECIFICATION			
TERMINAL NAME: TAXI TERM F OCS 1.2			
WIRE STRIP LENGTH 3.78-3.79 mm [.149-.149 IN]	INSULATION DIAMETER RANGE Ø1.47-1.90 mm [.058-.075 IN]		
TERMINAL APPLICATION SPECIFICATION 13627884 Rev -			
TERMINALS APPLIED			
TE TERMINAL 2113340-1	DELPHI TERMINAL 13627884	TE TERMINAL	DELPHI TERMINAL

WIRE SIZE	CRIMP HEIGHT mm [INCH]	CRIMP HEIGHT REFERENCE SETTING
0.50mm2	0.90 +/- 0.05 [.035 +/- .002]	8.3
0.35mm2	0.85 +/- 0.05 [.033 +/- .002]	8.8

- RECOMMENDED SPARE PARTS
- REFER TO SUPPLIED INSTRUCTION SHEET FOR CLEANING, LUBRICATION AND STORAGE OF APPLICATOR.
- APPLY PART NUMBER 2-23419-6 LOCTITE TO THREADS OF ITEM 242.
- CRIMP HEIGHT REFERENCE SETTING WAS THE SETTING USED WHEN THE APPLICATOR WAS QUALIFIED AT THE FACTORY. ADJUSTMENT MAY BE NECESSARY WHEN RUNNING APPLICATOR IN THE FIELD.
- UNLESS SPECIFIED OTHERWISE TORQUE VALUES SHALL BE USED PER DOCUMENT, 101-35000.
- CABLE TYPE CODE LEGEND 1005, SAE. INSULATION DIAMETER 1.60-1.88.
- CABLE TYPE CODE LEGEND 1047, SAE. INSULATION DIAMETER 1.40-1.75.

***WARNING**
ON INSTALLATION, SET WIRE DISC TO CRIMP HEIGHT REFERENCE SETTING FOR LARGEST WIRE SIZE. CRIMP HEIGHT REFERENCE SETTINGS GREATER THAN THE VALUE SHOWN MAY CAUSE DAMAGE TO THE CRIMP TOOLING. REFER TO THE INSTRUCTION SHEET FOR PROPER SETUP AND ADJUSTMENTS.

LOC	DIST	REV	DATE	BY	APPV
A	66	-	-	-	-

REV	DATE	BY	APPV	DESCRIPTION	QTY	
-	1	-	-	2119640-1	PUSH ROD, AIR FEED	250
-	1	-	-	2079988-1	BUSHING, LCH5-12, MISUMI	249
-	1	1	-	2119082-8	CAM, SNAIL, INSULATION ADJUSTMENT	244
-	1	1	-	2079764-1	WASHER, WAVE SPRING, CREST-TO-CREST	243
-	1	1	-	2119083-1	RETAINER, INSULATION DIAL	242
-	1	1	-	7-18023-7	SCR, SKT HD CAP M3 X 4.0	241
-	-	1	-	2119580-1	MECHANICAL FEED ASSEMBLY	239
-	1	-	-	2063440-1	AIR FEED MODULE	238
-	2	-	-	21045-3	RING, RETAIN, EXTERN, 3/16 CRESCENT	172
-	REF	REF	-	994970-2	COUNTER, MAGNETIC	164
-	1	-	-	240638-1	SPRING, FEED FINGER	163
-	1	-	-	2119641-2	FEED CAM, AIR FEED	151
-	1	1	-	2168083-8	SCR, SKT HD CAP, RoHS, M4 X 16	144
-	4	4	-	2168083-9	SCR, SKT HD CAP, RoHS, M4 X 20	143
-	-	1	-	2119653-2	FEED CAM, POST FEED	142
-	1	1	-	1-1803583-0	APPLICATOR BASIC ASSEMBLY, SF	141
-	1	1	-	1803516-1	RAM ASSEMBLY, SF PACIFIC	140
-	1	-	-	3-23627-7	PIN, RETAIN, GRVD, 3/16 X .854	137
-	1	-	-	2119799-1	HOLDER, FEED FINGER, AF	136
-	1	1	-	1-22281-8	SPRING, COMPRESSION	121
-	1	1	-	1-18028-2	WASHER, FLAT, REG M4	119
-	1	1	-	2844908-1	SCREW, LOCKING	99
-	1	1	-	2844907-1	POST, LOCKING	98
-	1	1	-	1-690438-0	FRONT STRIP GUIDE	96
-	2	2	-	2168083-1	SCR, SKT HD CAP, RoHS, M3 X 8.0	95
-	1	1	-	2168083-6	SCR, SKT HD CAP, RoHS, M5 X 65	93
-	1	1	-	455888-5	SPACER, CRIMPER	82
-	1	1	-	22278-8	SPRING, COMPRESSION	77
-	1	1	-	854769-4	HOLDER, INS	74
-	1	1	-	1803607-1	DOCUMENTATION PACKAGE	71
-	1	1	-	2119740-1	TAG, IDENTIFICATION	67
-	2	2	-	2168078-1	SCREW, DRIVE, RH, RoHS, 2 x .188	66
-	2	2	-	2-18032-5	SCR, SET, FLT PNT, M5 X 20.0	61
-	1	1	-	5-18022-5	SCR, HEX HD CAP, M4 X 6.0	59
-	1	1	-	21028-2	PIN, SLOTTED SPRING .062 X .250	58
-	1	1	-	1338685-1	PAWL, FEED	56
-	2	2	-	2-2168083-5	SCR, SKT HD CAP, RoHS, M4 X 14	53
-	1	1	-	1803382-6	HOLD DOWN, SPRING LOADED	50
-	1	2	-	18023-9	SCR, SKT HD CAP M4 X 6.0	49
-	-	1	-	2119652-1	FEED CAM, PRE FEED	48
-	1	1	-	1803602-1	SCR, BHSC, RoHS (M8 X 25)	41
-	1	1	-	1752356-6	SUPPORT, TERMINAL	34
-	2	2	-	2079383-5	SCR, BHSC, RoHS (M4 X 20)	33
-	2	2	-	2-2844962-4	SPACER, CYLINDRICAL, STRIP GUIDE	30
-	1	1	-	2844938-1	PLATE, STRIP GUIDE	29
-	1	1	-	455888-3	SPACER, CRIMPER	28
-	2	2	-	22283-1	SPRING, COMPRESSION	27
-	1	1	-	356835-1	LEVER, DRAG RELEASE	26
-	1	1	-	240792-5	DRAG, TERMINAL	25
-	1	1	-	1320928-2	STRIP GUIDE	24
-	1	1	-	980371-4	SCR, SKT HD SHLDR 5.0 DIA X 6.0	23
-	1	1	-	2168083-2	SCR, SKT HD CAP, RoHS, M4 X 8.0	21
-	1	1	-	1-18028-2	WASHER, FLAT, REG M4	20
-	1	1	-	2119533-1	STRIPPER, SIDE FEED	19
-	1	1	-	2119806-1	INSERT, SHEAR	13
-	1	1	-	3-22280-3	SPRING, COMPRESSION	12
-	1	1	-	1-356885-4	STOP, SHEAR	11
-	1	1	-	2119805-1	SHEAR HOLDER, FRONT	10
-	1	1	-	1633861-4	SHEAR, FLOATING	9
-	1	1	-	1-1633917-7	ANVIL, COMBINATION	8
-	1	1	-	240641-3	SPACER	7
-	-	-	-	-	-	6
-	1	1	-	1-2119780-1	DEPRESSOR, SHEAR	5
-	1	1	-	1-238011-7	BLOCK, CRIMPER SPACER	4
-	1	1	-	1-1633966-9	CRIMPER, INSULATION O	3
-	1	1	-	455888-7	SPACER, CRIMPER	2
-	1	1	-	1-456402-4	CRIMPER, WIRE PREMIUM	1

DIMENSIONS:		TOLERANCES UNLESS OTHERWISE SPECIFIED:		DWG: R.O. WILSON 22APR2013		NAME: STE	
mm	0 PLC ±	1 PLC ±	2 PLC ±	3 PLC ±	4 PLC ±	APVD: T.L. ELBIN 29APR2013	TE Connectivity Harrisburg, PA 17105-3608
MATERIAL:		FINISH:		WEIGHT:		SIZE: A1 00779 C=2151943	
Customer Accessible Production Drawing				SCALE: 1:2		SHEET 3 OF 4 REV B	

PACIFIC VERSION
Shown on sheets 3 of 4 & 4 of 4
(Atlantic version shown on sheets 1 of 4 & 2 of 4)

Mouser Electronics

Authorized Distributor

Click to View Pricing, Inventory, Delivery & Lifecycle Information:

[TE Connectivity:](#)

[2151943-1](#)