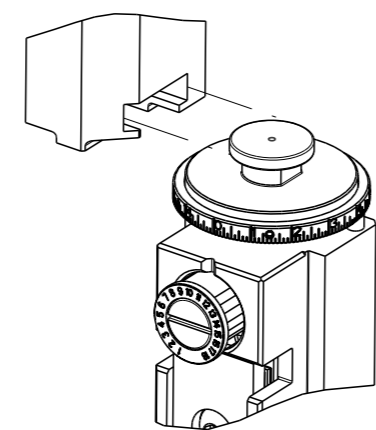


8	7	6	5	4	3	2	1
THIS DRAWING IS UNPUBLISHED.		RELEASED FOR PUBLICATION		20			
COPYRIGHT 20 BY TYCO ELECTRONICS CORPORATION. ALL RIGHTS RESERVED.							
PART NUMBER	REVISION	DESCRIPTION	FEED TYPE				
2151794-2	L	FINE CRIMP HEIGHT ADJUST	PNEUMATIC				
7-2151794-2	L	PNEUMATIC AND CRIMP TOOLING KIT	PNEUMATIC				
7-2151794-7	C	CRIMP TOOLING KIT	-				

ATLANTIC VERSION TERMINATOR INTERFACE ADAPTER



APPLICATOR DATA		
CRIMP	SIZE	TYPE
WIRE	5.08 mm [.200]	F
INSUL	10.92 mm [.430]	O
APPLICATOR INSTRUCTIONS 408-35042		

TERMINAL DATA: TE TERMINAL		TE CRIMP SPECIFICATION	
TERMINAL NAME: AMP MCP 9.5 FLAT TYPE RECEPTACLE, SWS			
WIRE STRIP LENGTH		INSULATION DIAMETER RANGE	
9.70-10.30 mm [.382-.406 IN]		∅ -	
TERMINAL APPLICATION SPECIFICATION	114-18269	-	-

TERMINAL DATA: TE TERMINAL		TE CRIMP SPECIFICATION	
TERMINAL NAME: AMP MCP 9.5 FLAT TYPE RECEPTACLE, SWS			
WIRE STRIP LENGTH		INSULATION DIAMETER RANGE	
10.60-11.40mm [.457-.449 IN]		∅ -	
TERMINAL APPLICATION SPECIFICATION	114-18075	-	-

TE TERMINAL	TE TERMINAL	TE SEAL	TE SEAL	CABLE ∅
1-967590-1	1-967590-2		1355437-1	∅4.6-5.2
			1355437-2	∅5.8-6.6

TE TERMINAL	TE TERMINAL	TE SEAL	TE SEAL	CABLE ∅
962938-1	2-962938-1		1355437-1	∅4.6-5.2
			1355437-2	∅5.8-6.6

WIRE SIZE	CRIMP HEIGHT mm [INCH]	CRIMP HEIGHT REFERENCE SETTING
10.00mm2	3.84+/-0.05 [.151+/- .002]	2.7
6.00mm2	3.22+/-0.05 [.127+/- .002]	9.6

WIRE SIZE	CRIMP HEIGHT mm [INCH]	CRIMP HEIGHT REFERENCE SETTING
10.00mm2	3.82+/-0.10 [.150+/- .004]	2.9
6.00mm2	3.20+/-0.05 [.126+/- .002]	9.8

- 1 RECOMMENDED SPARE PARTS
- 2 REFER TO SUPPLIED INSTRUCTION SHEET FOR CLEANING, LUBRICATION AND STORAGE OF APPLICATOR.
- 3 APPLY PART NUMBER 2-23419-6 LOCTITE TO THREADS OF ITEM 242.
- 4 CRIMP HEIGHT REFERENCE SETTING WAS THE SETTING USED WHEN THE APPLICATOR WAS QUALIFIED AT THE FACTORY. ADJUSTMENT MAY BE NECESSARY WHEN RUNNING APPLICATOR IN THE FIELD.
- 5 TERMINAL LUBRICANT IS RECOMMENDED.
- 6. UNLESS SPECIFIED OTHERWISE TORQUE VALUES SHALL BE USED PER DOCUMENT, 101-35000.
- 7 APPLY TORO-SEAL IN ALLEN SOCKET TO FILL HOLE AFTER FLAT HD HAS BEEN ADJUSTED TO CORRECT HEIGHT AT QUALIFICATION.
- 8 CUT TO LENGTH AT ASSEMBLY.
- 9 RELOCATE ITEM 19 TO BACK OF APPLICATOR .
- 10 TERMINAL PITCH NOT COMPATIBLE WITH MECHANICAL FEED.
- 11 FEED PAWL WILL REST ON STRIP GUIDE.

***WARNING**
ON INSTALLATION, SET WIRE DISC TO CRIMP HEIGHT REFERENCE SETTINGS GREATER THAN THE VALUE SHOWN MAY CAUSE DAMAGE TO THE CRIMP TOOLING. REFER TO THE INSTRUCTION SHEET FOR PROPER SETUP AND ADJUSTMENTS.

LOC	DIST	REVISIONS					
A	66	#	LY#	DESCRIPTION	DATE	OWN	APVD
		H		ECR-19-001861	04FEB2019	LG	CT
		J		ECR-19-005860	11APR2019	FJ	TE
		K		ECR-20-002369	18FEB2020	TB	GB
		L		ECR-20-011031	04AUG2020	JAH	GB

-	1	1	5018030-1	NUT, HEX, REG, RoHS, M3	291
-	1	1	1-18028-2	WASHER, FLAT, REG M4	271
-	1	1	2119641-1	FEED CAM, AIR FEED	248
-	1	1	2119082-7	CAM, SNAIL, INSULATION ADJUSTMENT	244
-	1	1	2079764-1	WASHER, WAVE SPRING, CREST-TO-CREST	243
-	1	1	2119083-1	RETAINER, INSULATION DIAL	242
-	1	1	2844940-6	AIR FEED MODULE	238
-	1	1	455888-9	SPACER, CRIMPER	221
-	REF	REF	994970-2	COUNTER, MAGNETIC	164
-	1	1	1-22281-8	SPRING, COMPRESSION	121
-	1	1	2119955-1	ASSY, LUBRICATOR, SIDE FEED	113
-	1	1	2844908-1	SCREW, LOCKING	99
-	1	1	2844907-1	POST, LOCKING	98
-	1	1	1-690438-0	FRONT STRIP GUIDE	96
-	2	2	2168083-1	SCR, SKT HD CAP, RoHS, M3 X 8.0	95
-	1	1	2168083-6	SCR, SKT HD CAP, RoHS, M5 X 65	93
-	1	1	455888-9	SPACER, CRIMPER	82
-	2	2	2079383-4	SCR, BHSC, RoHS (M4 X 8)	79
-	1	1	1803096-1	EXTENSION PLATE	78
-	2	2	2168083-1	SCR, SKT HD CAP, RoHS, M3 X 8.0	77
-	1	1	1633782-7	FENCE	76
-	1	1	1803607-3	DOCUMENTATION PACKAGE	71
-	1	1	1-2119791-2	DEPRESSOR, WIRE	70
-	1	1	2119943-1	WASHER, SPACER	69
-	1	1	2119740-1	TAG, IDENTIFICATION	67
-	2	2	2168078-1	SCREW, DRIVE, RH, RoHS, 2 x .188	66
-	2	2	2-18032-5	SCR, SET, FLT PNT, M5 X 20.0	61
-	1	1	2168083-2	SCR, SKT HD CAP, RoHS, M4 X 8.0	60
-	1	1	5-18022-5	SCR, HEX HD CAP, M4 X 6.0	59
-	1	1	1-2168083-3	SCR, SKT HD CAP, RoHS, M3 X 16	57
-	1	1	1-1338683-1	FEED PAWL	56
-	4	4	2168083-3	SCR, SKT HD CAP, RoHS, M4 X 12.0	54
-	2	2	2168083-8	SCR, SKT HD CAP, RoHS, M4 X 16	53
-	1	1	5018030-1	NUT, HEX, REG, RoHS, M3	52
-	1	1	1-811242-0	BUMPER, HOLD DOWN	51
-	1	1	690753-2	SPACER, TONKER	50
-	1	1	18023-9	SCR, SKT HD CAP M4 X 6.0	49
-	1	1	2-1803583-6	APPLICATOR BASIC ASSEMBLY, SF	46
-	1	1	1803515-2	RAM ASSEMBLY, SF ATLANTIC	44
-	1	1	1803602-2	SCR, BHSC, RoHS (M8 X 40)	41
-	1	1	1752356-7	SUPPORT, TERMINAL	34
-	2	2	1-2079383-3	SCR, BHSC, RoHS (M4 X 25)	33
-	2	2	3-2844962-7	SPACER, CYLINDRICAL, STRIP GUIDE	30
-	1	1	2844938-9	PLATE, STRIP GUIDE	29
-	1	1	3-455888-2	SPACER, CRIMPER	28
-	2	2	22283-1	SPRING, COMPRESSION	27
-	1	1	356835-1	LEVER, DRAG RELEASE	26
-	1	1	240792-1	DRAG, TERMINAL	25
-	1	1	1320928-6	STRIP GUIDE	24
-	1	1	980371-4	SCR, SKT HD SHLDR 5.0 DIA X 6.0	23
-	1	1	2168083-2	SCR, SKT HD CAP, RoHS, M4 X 8.0	21
-	2	2	1-18028-2	WASHER, FLAT, REG M4	20
-	1	1	1803013-1	STRIPPER, SIDE FEED	19
-	1	1	4-22280-7	SPRING, COMPRESSION	12
-	1	1	1-356885-4	STOP, SHEAR	11
-	1	1	2-2119805-3	SHEAR HOLDER, FRONT	10
-	1	1	1-318059-3	FLOATING SHEAR, FRONT	9
-	1	2	1-1633930-3	ANVIL, COMBINATION	8
-	1	1	2-240641-9	SPACER	7
-	-	-	-	-	6
-	1	1	1803080-3	DEPRESSOR, SHEAR	5
-	1	1	2-238011-9	BLOCK, CRIMPER SPACER	4
-	1	2	1803453-2	CRIMPER, INSULATION O	3
-	1	1	2-455888-0	SPACER, CRIMPER	2
-	1	2	5-568176-0	CRIMPER, WIRE	1

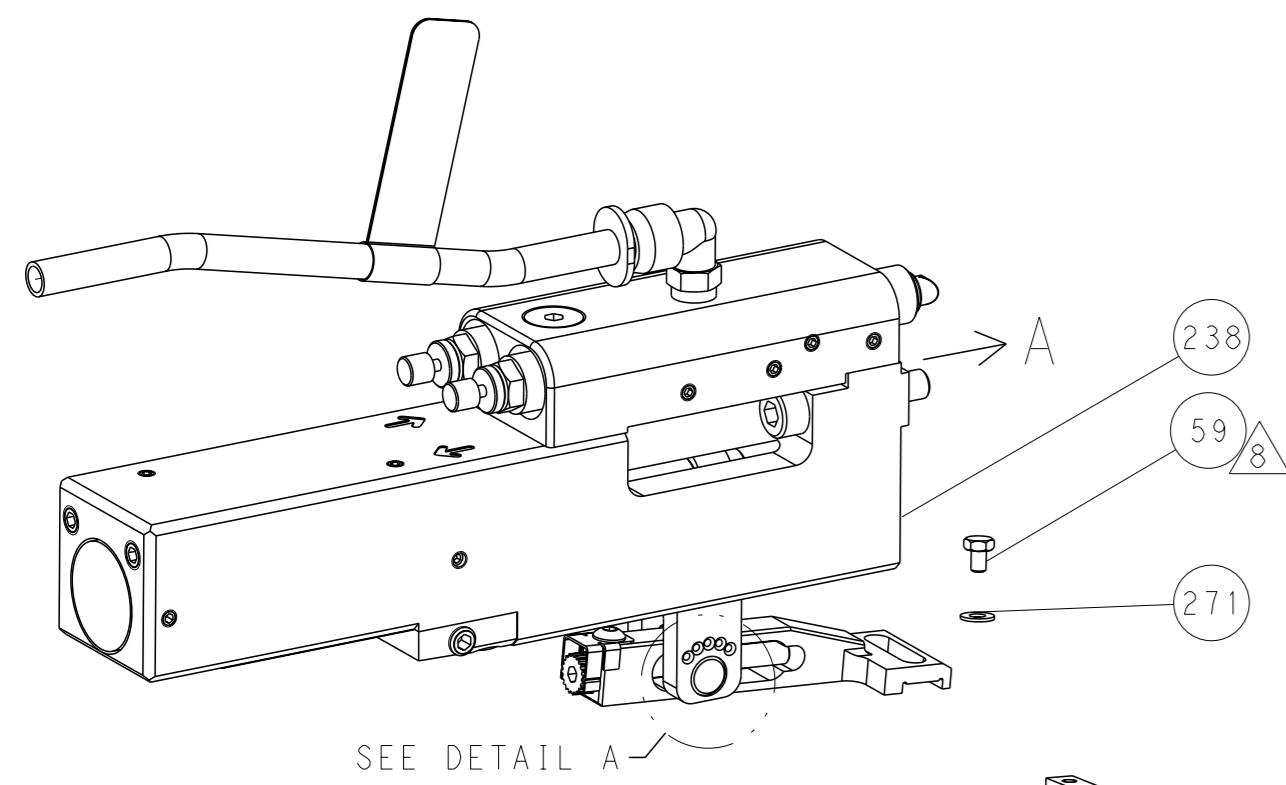
ATLANTIC VERSION
Shown on sheets 1 of 4 & 2 of 4
(Pacific version shown on sheets 3 of 4 & 4 of 4)

DIMENSIONS:		TOLERANCES UNLESS OTHERWISE SPECIFIED:		OWN	26NOV2012	TE Connectivity	
mm		0 PLC ±		CHK	26NOV2012	Harrisburg, PA 17105-3608	
		1 PLC ±		S.XI	26NOV2012	NAME	
		2 PLC ±		APVD	26NOV2012	Ocean Side Feed	
		3 PLC ±		S.XI	26NOV2012	Applicator	
		4 PLC ±		PRODUCT SPEC		SIZE	
		ANGLES		APPLICATION SPEC		CAGE CODE	
		FINISH		WEIGHT		DRAWING NO	
						00779	
						SCALE	
						1:2	
						SHEET	
						1 of 4	
						REV	
						L	

LOC	DIST	REVISIONS					
A	66	P	LYR	DESCRIPTION	DATE	OWN	APVD
		-		SEE SHEET 1	-	-	-

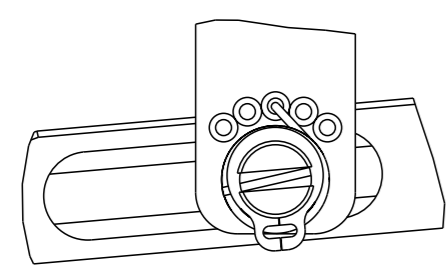
FEED TYPE

PNEUMATIC



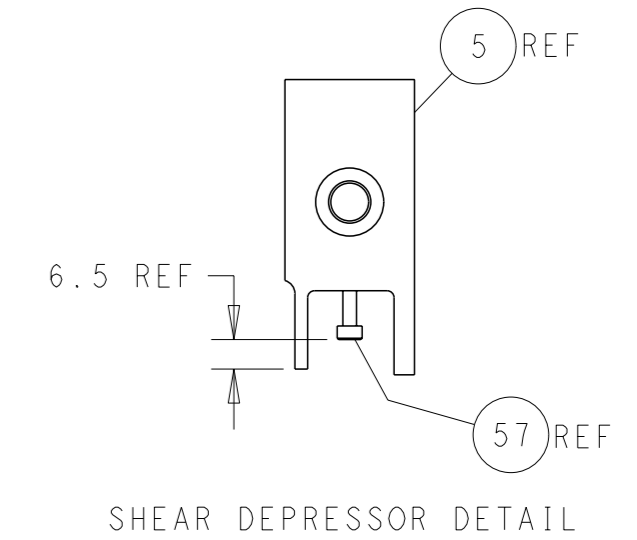
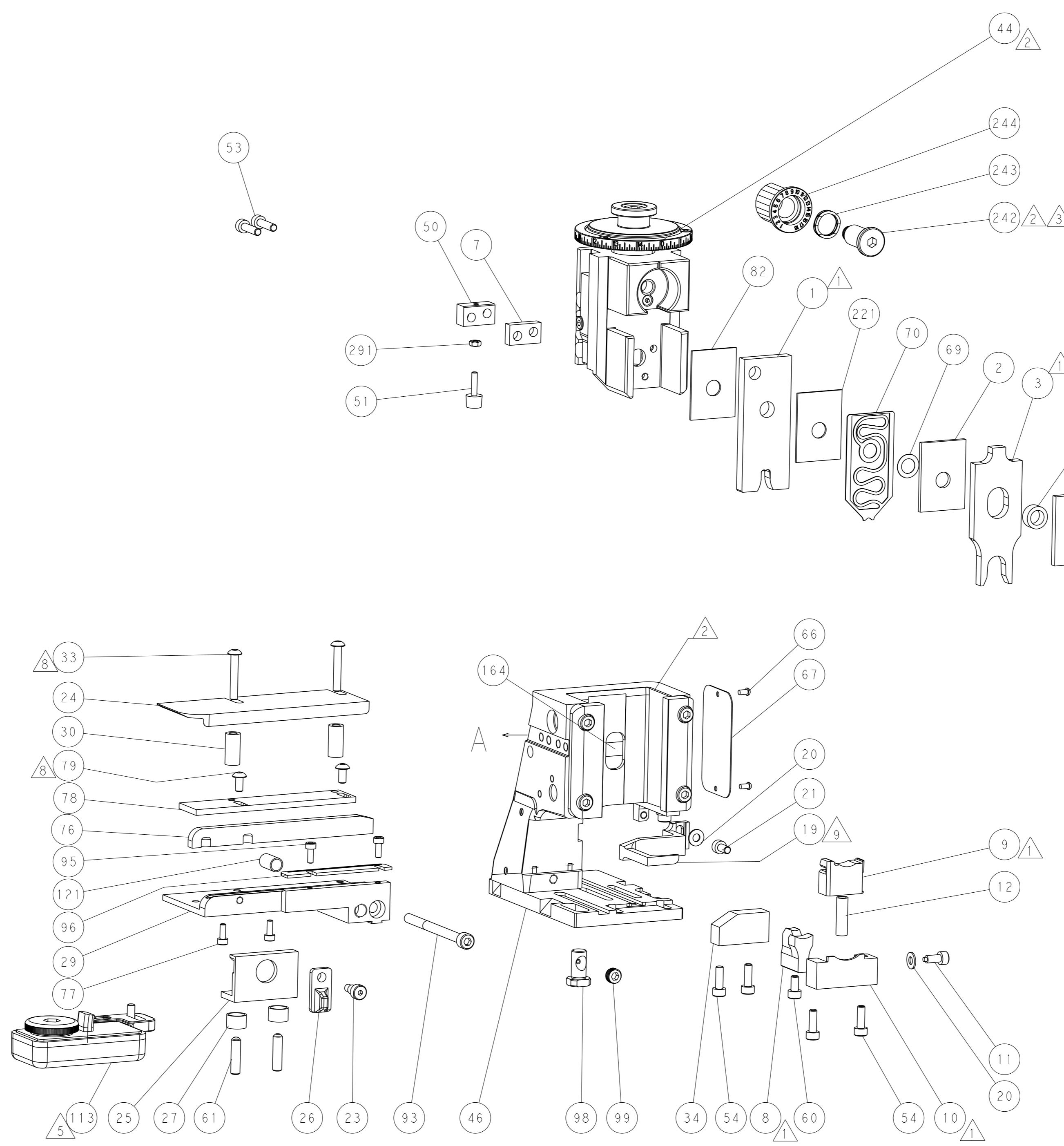
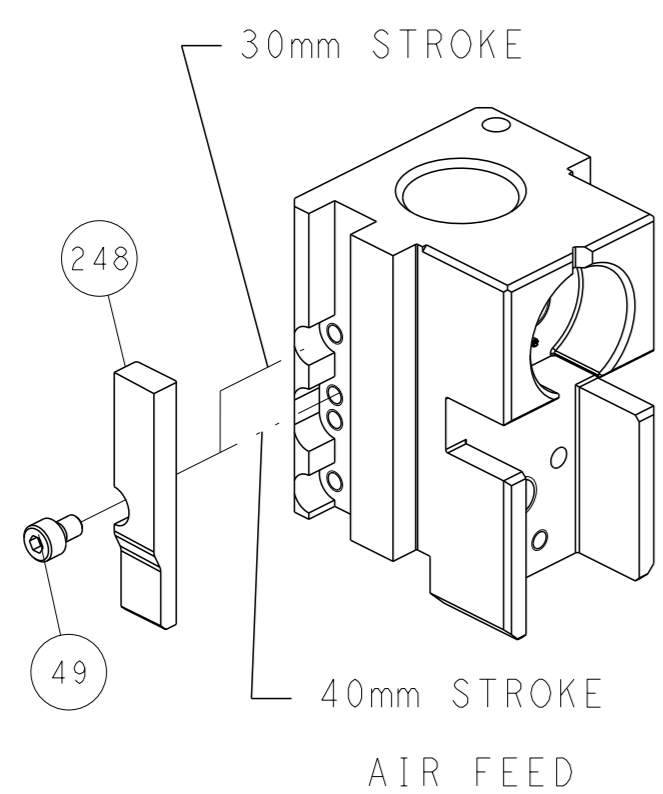
SEE DETAIL A

FEED SPRING SETTING POSITION
(SHOWN FROM REAR SIDE)

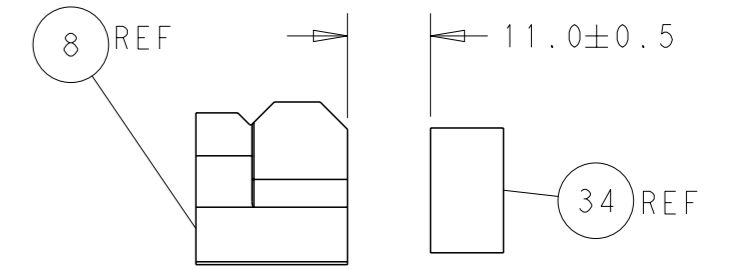


DETAIL A

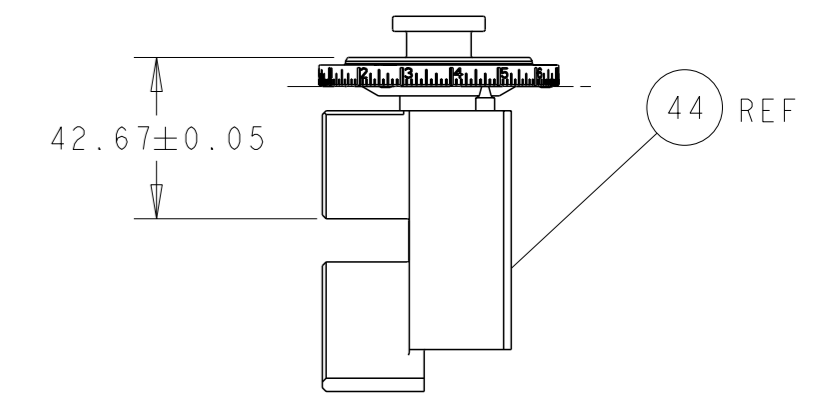
CAM POSITION



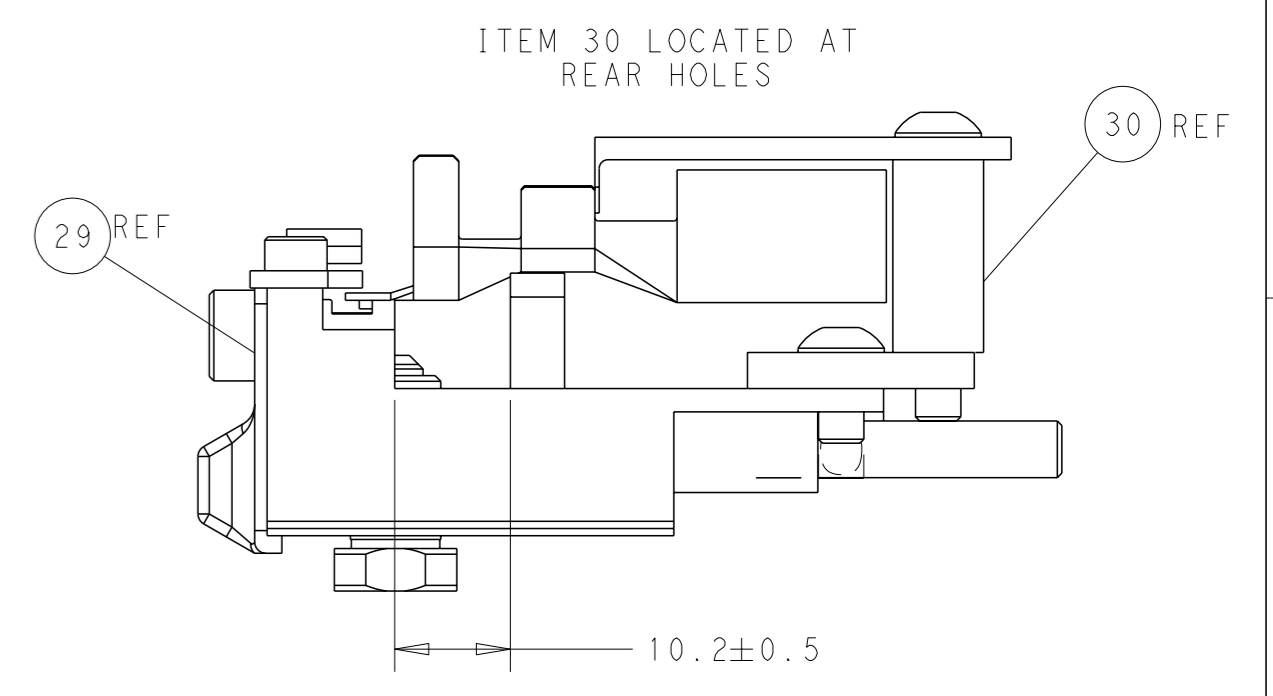
SHEAR DEPRESSOR DETAIL



TERMINAL SUPPORT LOCATION



RAM SET-UP



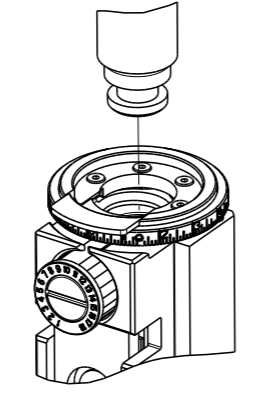
FEED TRACK POSITION GUIDE BY WIRE BARREL

ATLANTIC VERSION
 Shown on sheets 1 of 4 & 2 of 4
 (Pacific version shown on sheets 3 of 4 & 4 of 4)

<small>THIS DRAWING IS A CONTROLLED DOCUMENT FOR TYCO ELECTRONICS CORPORATION. IT IS SUBJECT TO CHANGE AND THE USER SHALL BE RESPONSIBLE FOR THE LATEST REVISION. SHOULD BE CONTACTED FOR THE LATEST REVISION.</small>		DWN: H. HUANG 26NOV2012 CHK: S. XI 26NOV2012 APVD: S. XI 26NOV2012	TE Connectivity Harrisburg, PA 17105-3608
DIMENSIONS: mm TOLERANCES UNLESS OTHERWISE SPECIFIED: 0 PLC ± 1 PLC ± 2 PLC ± 3 PLC ± 4 PLC ± ANGLES FINISH *		NAME: Ocean Side Feed Applicator PRODUCT SPEC APPLICATION SPEC	SIZE: A1 CAGE CODE: 00779 DRAWING NO: 2151794 RESTRICTED TO:
MATERIAL:		WEIGHT:	SCALE: 1:2 SHEET: 2 of 4 REV: L

PART NUMBER	REVISION	DESCRIPTION	FEED TYPE
2-2151794-2	L	FINE CRIMP HEIGHT ADJUST	PNEUMATIC
7-2151794-7	C	CRIMP TOOLING KIT	-

PACIFIC VERSION TERMINATOR INTERFACE ADAPTER



APPLICATOR DATA

CRIMP	SIZE	TYPE
WIRE	5.08 mm [.200]	F
INSUL	10.92 mm [.430]	O

APPLICATOR INSTRUCTIONS
408-35042

TERMINAL DATA: TE TERMINAL TE CRIMP SPECIFICATION

TERMINAL NAME: AMP MCP 9.5 FLAT TYPE RECEPTACLE, SWS

WIRE STRIP LENGTH	INSULATION DIAMETER RANGE
9.70-10.30 mm [.382-.406 IN]	∅ -

TERMINAL APPLICATION SPECIFICATION 114-18269

TERMINALS APPLIED

TE TERMINAL	TE TERMINAL	TE SEAL	TE SEAL	CABLE ∅
1-967590-1	1-967590-2		1355437-1	∅ 4.6-5.2
			1355437-2	∅ 5.8-6.6

WIRE SIZE	CRIMP HEIGHT mm [INCH]	CRIMP HEIGHT REFERENCE SETTING
10.00mm2	3.84+/-0.05 [.151+/-0.002]	2.7
6.00mm2	3.22+/-0.05 [.127+/-0.002]	9.6

- 1 RECOMMENDED SPARE PARTS
- 2 REFER TO SUPPLIED INSTRUCTION SHEET FOR CLEANING, LUBRICATION AND STORAGE OF APPLICATOR.
- 3 APPLY PART NUMBER 2-23419-6 LOCTITE TO THREADS OF ITEM 242.
- 4 CRIMP HEIGHT REFERENCE SETTING WAS THE SETTING USED WHEN THE APPLICATOR WAS QUALIFIED AT THE FACTORY. ADJUSTMENT MAY BE NECESSARY WHEN RUNNING APPLICATOR IN THE FIELD.
- 5 TERMINAL LUBRICANT IS RECOMMENDED.
- 6. UNLESS SPECIFIED OTHERWISE TORQUE VALUES SHALL BE USED PER DOCUMENT, 101-35000.
- 7 APPLY TORO-SEAL IN ALLEN SOCKET TO FILL HOLE AFTER FLAT HD HAS BEEN ADJUSTED TO CORRECT HEIGHT AT QUALIFICATION.
- 8 CUT TO LENGTH AT ASSEMBLY.
- 9 RELOCATE ITEM 19 TO BACK OF APPLICATOR.
- 10 TERMINAL PITCH NOT COMPATIBLE WITH MECHANICAL FEED.
- 11 FEED PAWL WILL REST ON STRIP GUIDE.

TERMINAL DATA: TE TERMINAL TE CRIMP SPECIFICATION

TERMINAL NAME: AMP MCP 9.5 FLAT TYPE RECEPTACLE, SWS

WIRE STRIP LENGTH	INSULATION DIAMETER RANGE
10.60-11.40mm [.417-.449 IN]	∅ -

TERMINAL APPLICATION SPECIFICATION 114-18075

TERMINALS APPLIED

TE TERMINAL	TE TERMINAL	TE SEAL	TE SEAL	CABLE ∅
962938-1	2-962938-1		1355437-1	∅ 4.6-5.2
			1355437-2	∅ 5.8-6.6

WIRE SIZE	CRIMP HEIGHT mm [INCH]	CRIMP HEIGHT REFERENCE SETTING
10.00mm2	3.82+/-0.10 [.150+/-0.004]	2.9
6.00mm2	3.20+/-0.05 [.126+/-0.002]	9.8

***WARNING**
ON INSTALLATION, SET WIRE DISC TO CRIMP HEIGHT REFERENCE SETTING FOR LARGEST WIRE SIZE. CRIMP HEIGHT REFERENCE SETTINGS GREATER THAN THE VALUE SHOWN MAY CAUSE DAMAGE TO THE CRIMP TOOLING. REFER TO THE INSTRUCTION SHEET FOR PROPER SETUP AND ADJUSTMENTS.

PACIFIC VERSION
Shown on sheets 3 of 4 & 4 of 4
(Atlantic version shown on sheets 1 of 4 & 2 of 4)

LOC	DIST	REV	DATE	BY	APPV
A	66				

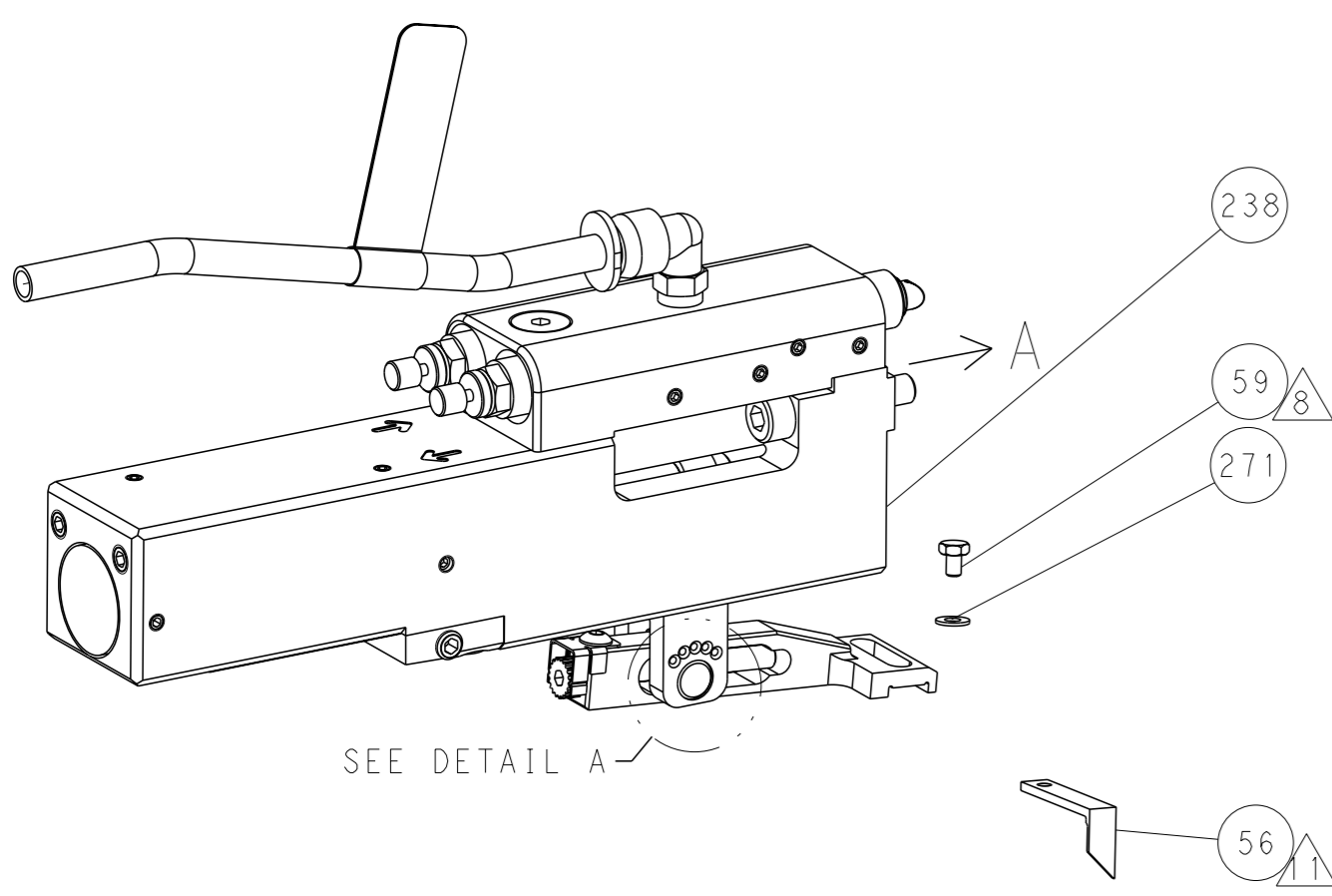
REV	DATE	DESCRIPTION	DATE	BY	APPV
-	1	5018030-1			291
-	1	2119082-7			244
-	1	2079764-1			243
3	-	2119083-1			242
-	1	2844940-6			238
-	1	455888-9			221
-	REF	994970-2			164
-	1	2119641-2			151
-	1	2168083-8			144
-	4	2168083-9			143
-	1	2-1803583-7			141
-	1	1803516-2			140
-	1	1-22281-8			121
5	-	2119955-1			113
-	1	2844908-1			99
-	1	2844907-1			98
-	1	1-690438-0			96
-	2	2168083-1			95
-	1	2168083-6			93
-	1	455888-9			82
8	-	2079383-4			79
-	1	1803096-1			78
-	2	2168083-1			77
-	1	1633782-7			76
-	1	1803607-3			71
-	1	1-2119791-2			70
-	1	2119943-1			69
-	1	2119740-1			67
-	2	2168078-1			66
-	2	2-18032-5			61
8	-	5-18022-5			59
7	-	1-2168083-3			57
11	-	1-1338683-1			56
-	2	2168083-8			53
-	1	5018030-1			52
-	1	1-811242-0			51
-	1	690753-2			50
-	1	18023-9			49
-	1	1803602-2			41
-	1	1752356-7			34
8	-	1-2079383-3			33
-	2	3-2844962-7			30
-	1	2844938-9			29
-	1	3-455888-2			28
-	2	22283-1			27
-	1	356835-1			26
-	1	240792-1			25
-	1	1320928-6			24
-	1	980371-4			23
-	1	2168083-2			21
-	2	1-18028-2			20
9	-	1803013-1			19
-	1	4-22280-7			12
-	1	1-356885-4			11
1	-	2-2119805-3			10
1	-	1-318059-3			9
1	1	1-1633930-3			8
-	1	2-240641-9			7
-	-	-			6
-	1	1803080-3			5
-	1	2-238011-9			4
1	1	1803453-2			3
-	1	2-455888-0			2
1	1	5-568176-0			1

DIMENSIONS:	TOLERANCES UNLESS OTHERWISE SPECIFIED:	OWN	DATE	NAME	REVISION
mm	0 PLC ± 1 PLC ± 2 PLC ± 3 PLC ± 4 PLC ± ANGLES ±	H. HUANG	26NOV2012	S. XI	26NOV2012
MATERIAL		APVD	DATE	PRODUCT SPEC	APPLICATION SPEC
		WEIGHT	SCALE	CAGE CODE	DRAWING NO
		RESTRICTED TO	SCALE	00779	00779
		Customer Accessible Production Drawing	SCALE	1:2	SHEET 3 of 4

LOC	DIST	REVISIONS			
		REV	DATE	OWN	APVD
A	66	1	SEE SHEET 1	-	-

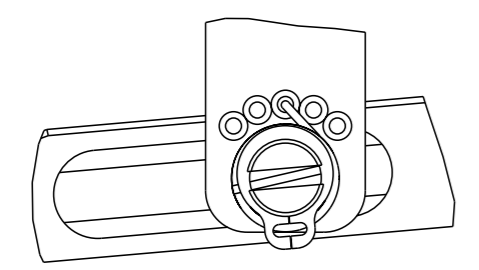
FEED TYPE

PNEUMATIC



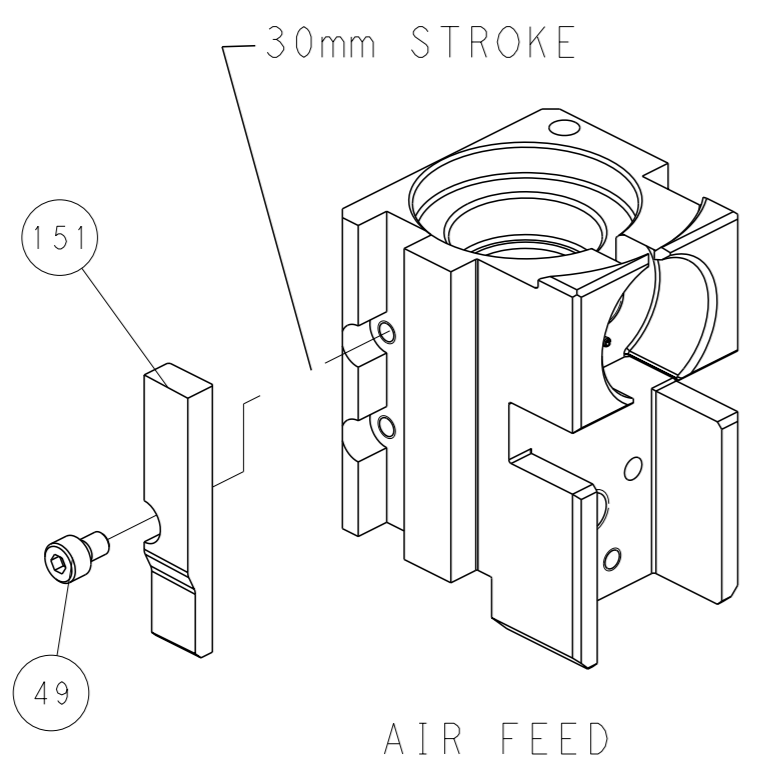
SEE DETAIL A

FEED SPRING SETTING POSITION (SHOWN FROM REAR SIDE)

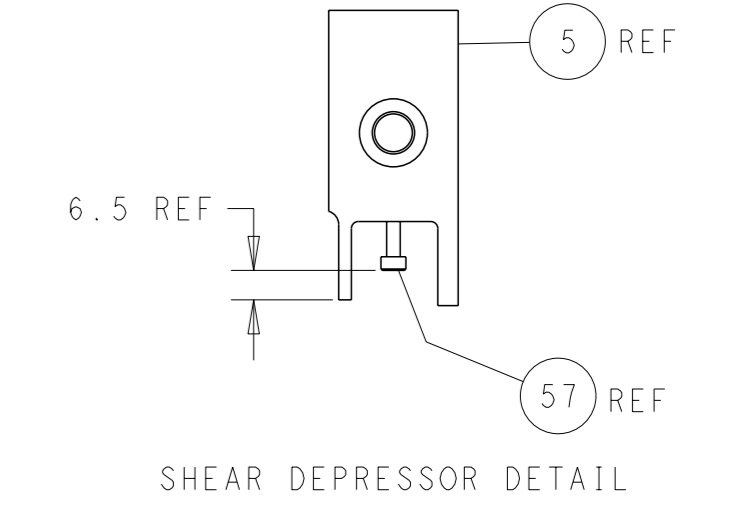
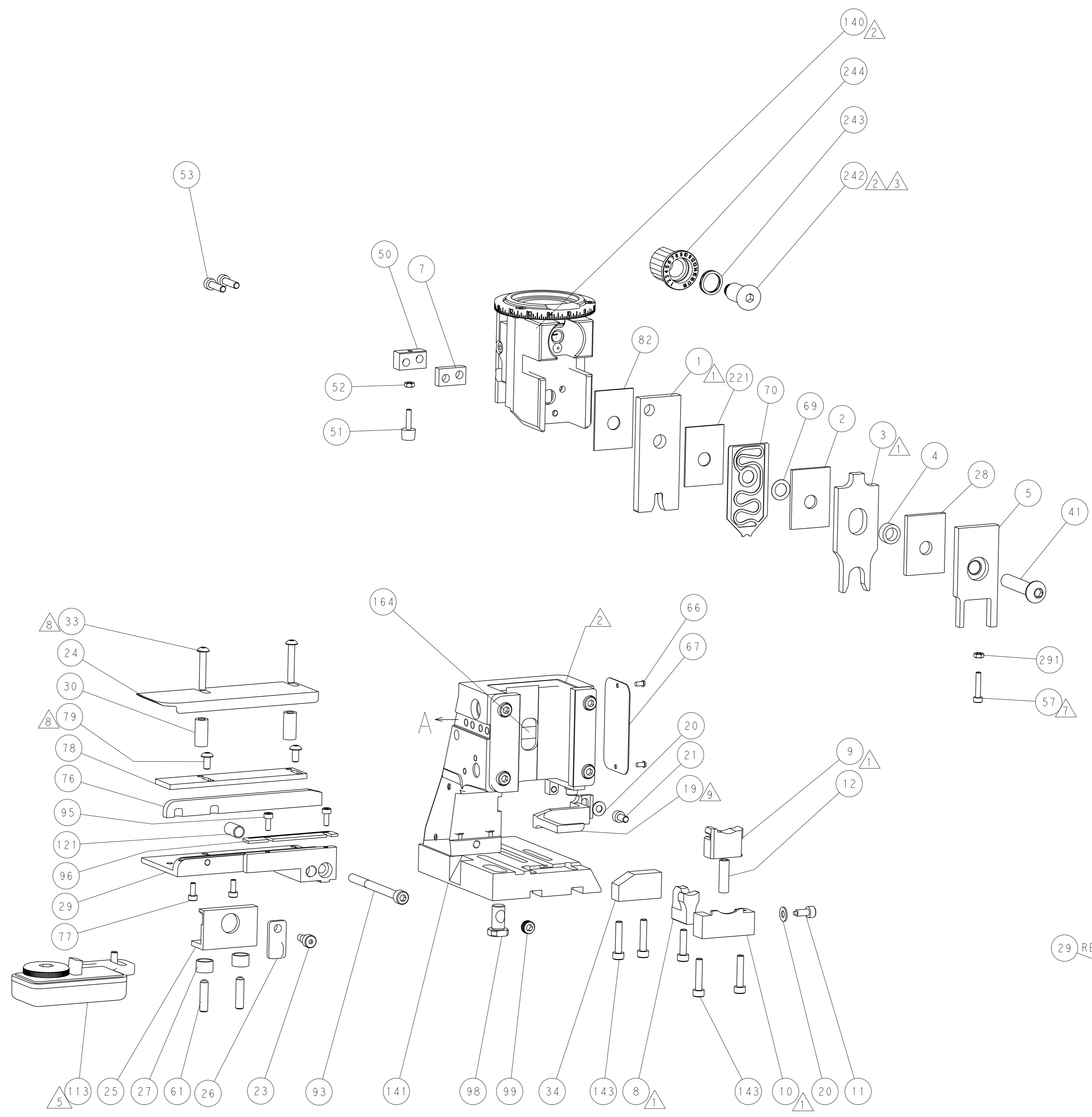


DETAIL A

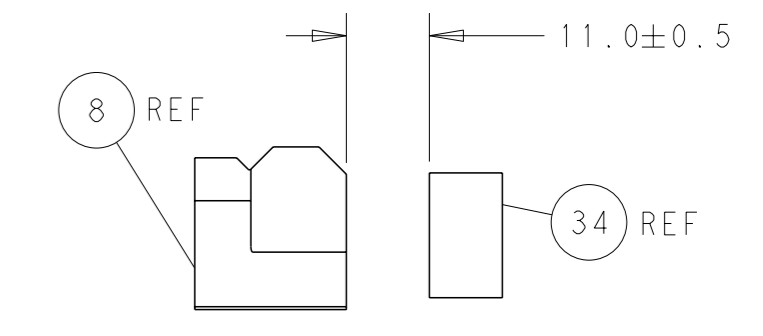
CAM POSITION



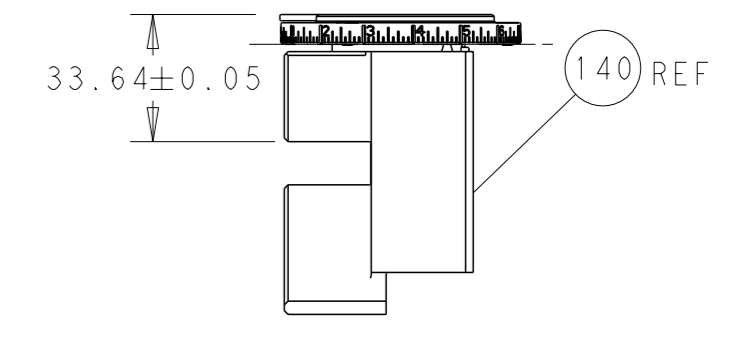
AIR FEED



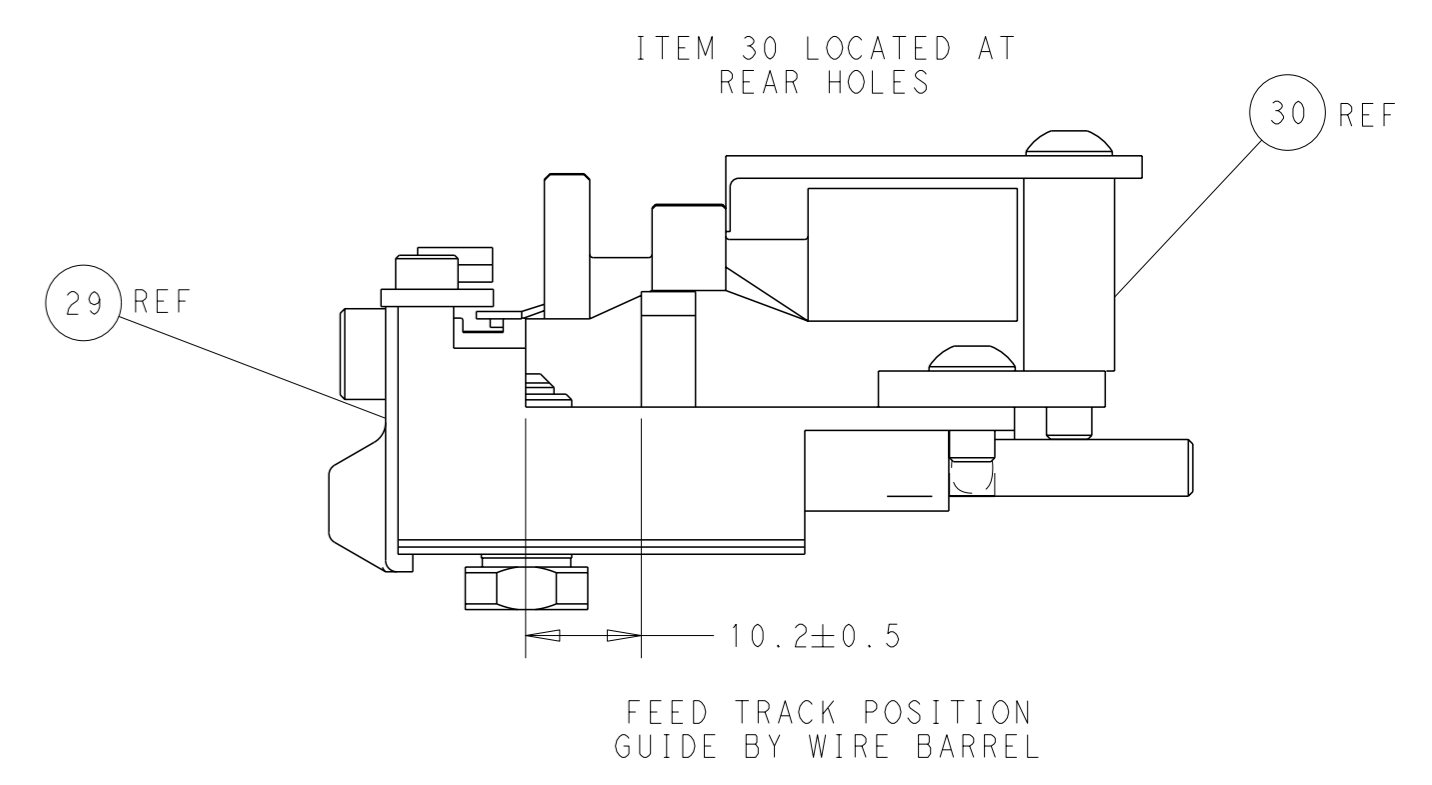
SHEAR DEPRESSOR DETAIL



TERMINAL SUPPORT LOCATION



RAM SET-UP



FEED TRACK POSITION GUIDE BY WIRE BARREL

PACIFIC VERSION
 Shown on sheets 3 of 4 & 4 of 4
 (Atlantic version shown on sheets 1 of 4 & 2 of 4)

<small>THIS DRAWING IS A CONTROLLED DOCUMENT FOR TYCO ELECTRONICS CORPORATION. IT IS SUBJECT TO CHANGE AND THE CONTROLLING ORGANIZATION SHOULD BE CONTACTED FOR THE LATEST REVISION.</small>		DWN: K. HUANG CHK: S. XI APVD: S. XI DATE: 26NOV2012	NAME: Ocean Side Feed Applicator SIZE: A1 CAGE CODE: 00779 DRAWING NO: 2151794	DATE: 26NOV2012 HARRISBURG, PA 17105-3608
DIMENSIONS: mm TOLERANCES UNLESS OTHERWISE SPECIFIED: 0 PLC ± 1 PLC ± 2 PLC ± 3 PLC ± 4 PLC ± ANGLES FINISH ±	WEIGHT: - SCALE: 1:2 SHEET: 4 of 4 REV: L	RESTRICTED TO: - Customer Accessible Production Drawing		

Mouser Electronics

Authorized Distributor

Click to View Pricing, Inventory, Delivery & Lifecycle Information:

[TE Connectivity:](#)

[2-2151794-2](#)