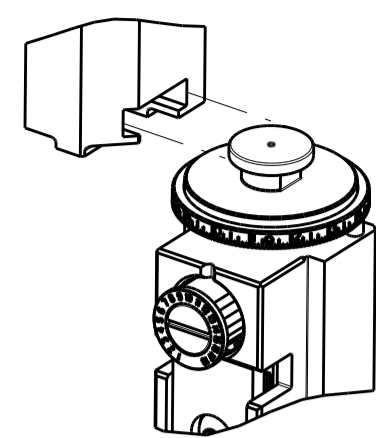


PART NUMBER	REVISION	DESCRIPTION	FEED TYPE
2151447-2	N	FINE CRIMP HEIGHT ADJUST	PNEUMATIC
7-2151447-2	N	PNEUMATIC AND CRIMP TOOLING KIT	PNEUMATIC
7-2151447-7	K	CRIMP TOOLING KIT	-

ATLANTIC VERSION TERMINATOR INTERFACE ADAPTER

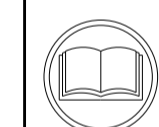


APPLICATOR DATA		
CRIMP	SIZE	TYPE
WIRE	0.66 mm [.026]	F
INSUL	0.64 mm [.025]	F

APPLICATOR INSTRUCTIONS
408-35042

TERMINAL DATA: HIROSE TERMINAL HIROSE CRIMP SPECIFICATION	
TERMINAL NAME: 1.0mm CONTACT PITCH CONNECTOR	
WIRE STRIP LENGTH 1.20-1.90 mm [.047-.075 IN]	INSULATION DIAMETER RANGE Ø0.50-0.60 mm [.020-.024 IN]
TERMINAL APPLICATION SPECIFICATION	HIROSE Rev 1
TERMINALS APPLIED $\triangle 5 \triangle 6$	
TE TERMINAL	HIROSE TERMINAL
1949752-1	DF19A-2830-SCFA

WIRE SIZE	CRIMP HEIGHT mm [INCH]	CRIMP HEIGHT REFERENCE SETTING
28 AWG	0.54+/-0.02 [.021+/- .001]	7.6
30 AWG	0.50+/-0.02 [.020+/- .001]	7.9



- 1 RECOMMENDED SPARE PARTS
 - 2 REFER TO SUPPLIED INSTRUCTION SHEET FOR CLEANING, LUBRICATION AND STORAGE OF APPLICATOR.
 - 3 APPLY PART NUMBER 2-23419-6 LOCTITE TO THREADS OF ITEM 242.
 - 4 CRIMP HEIGHT REFERENCE SETTING WAS THE SETTING USED WHEN THE APPLICATOR WAS QUALIFIED AT THE FACTORY. ADJUSTMENT MAY BE NECESSARY WHEN RUNNING APPLICATOR IN THE FIELD.
 - 5 TERMINAL PITCH NOT COMPATIBLE WITH MECHANICAL FEED.
 - 6 TERMINAL LUBRICANT IS RECOMMENDED.
7. UNLESS SPECIFIED OTHERWISE TORQUE VALUES SHALL BE USED PER DOCUMENT, 101-35000.

***WARNING**
ON INSTALLATION, SET WIRE DISC TO CRIMP HEIGHT REFERENCE SETTING FOR LARGEST WIRE SIZE. CRIMP HEIGHT REFERENCE SETTINGS GREATER THAN THE VALUE SHOWN MAY CAUSE DAMAGE TO THE CRIMP TOOLING, REFER TO THE INSTRUCTION SHEET FOR PROPER SETUP AND ADJUSTMENTS.

ATLANTIC VERSION
Shown on sheets 1 of 4 & 2 of 4
(Pacific version shown on sheets 3 of 4 & 4 of 4)

LOC	DIST	REVISIONS			
A	66	REV	DATE	BY	APPD
		K	ECR-17-012613	29AUG2017	MZ CT
		L	ECR-18-000695	16JAN2018	JAH TE
		M	ECR-18-008541	04JUN2018	MEH TE
		N	ECR-20-015623	04NOV2020	FJ TE

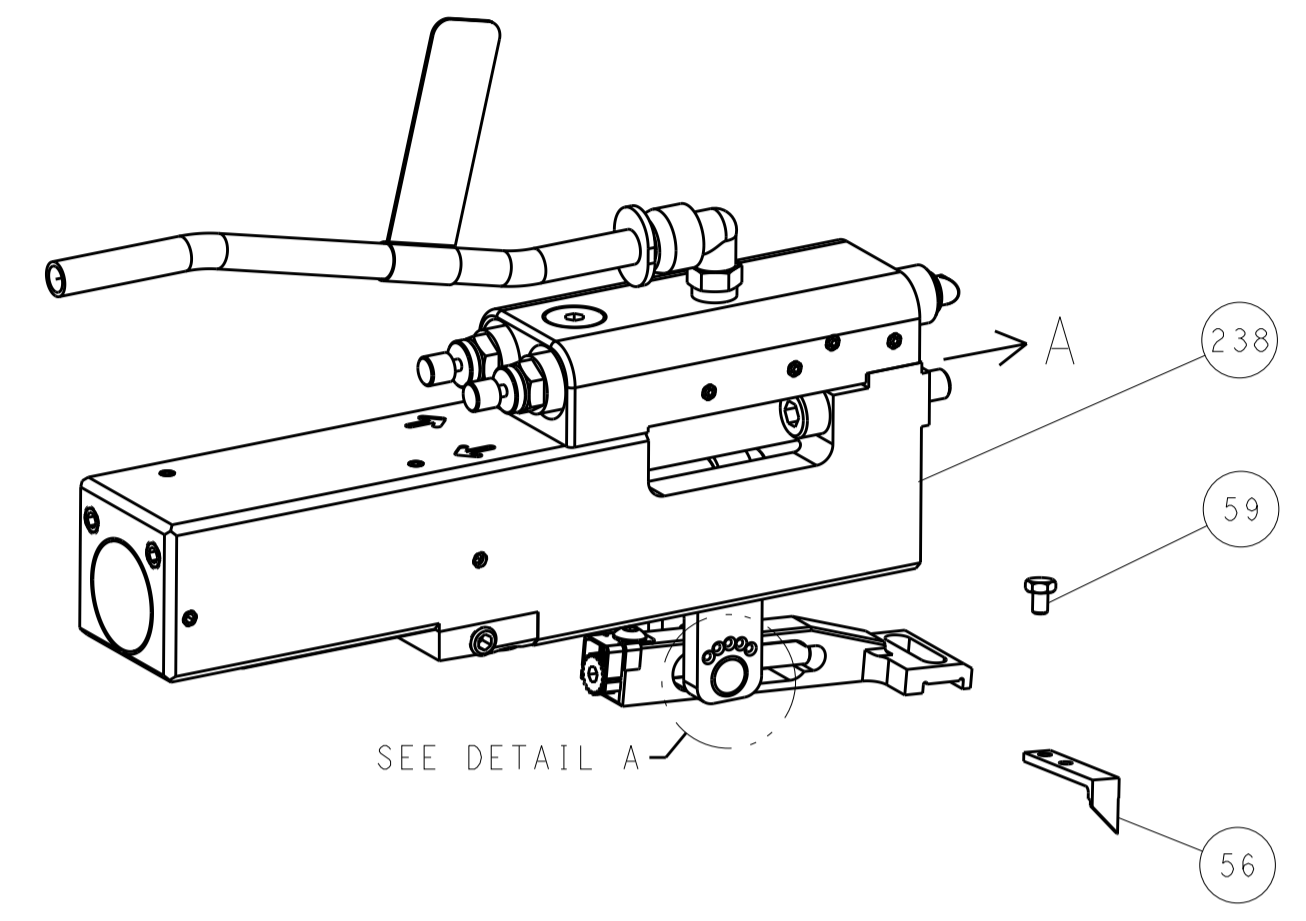
-	1	1	2119641-1	FEED CAM, AIR FEED	248
-	1	1	2119082-1	CAM, SNAIL, INSULATION ADJUSTMENT	244
-	1	1	2079764-1	WASHER, WAVE SPRING, CREST-TO-CREST	243
-	1	1	2119083-1	RETAINER, INSULATION DIAL	242
-	1	1	2844940-1	AIR FEED MODULE	238
-	REF	REF	994970-2	COUNTER, MAGNETIC	164
-	1	1	2119955-1	ASSY, LUBRICATOR, SIDE FEED	113
-	1	1	2844908-1	SCREW, LOCKING	99
-	1	1	2844907-1	POST, LOCKING	98
-	1	1	1-455888-8	SPACER, CRIMPER	82
-	1	1	1803607-3	DOCUMENTATION PACKAGE	71
-	1	1	2119943-1	WASHER, SPACER	69
-	1	1	2119740-1	TAG, IDENTIFICATION	67
-	2	2	2168078-1	SCREW, DRIVE, RH, RoHS, 2 x .188	66
-	1	1	2168083-2	SCR, SKT HD CAP, RoHS, M4 X 8.0	60
-	1	1	5-18022-5	SCR, HEX HD CAP, M4 X 6.0	59
-	1	1	1338685-1	PAWL, FEED	56
-	4	4	2168083-3	SCR, SKT HD CAP, RoHS, M4 X 12.0	54
-	1	1	18023-9	SCR, SKT HD CAP M4 X 6.0	49
-	1	1	1803583-9	APPLICATOR BASIC ASSEMBLY, SF	46
-	1	1	1803515-1	RAM ASSEMBLY, SF ATLANTIC	44
-	1	1	1803602-1	SCR, BHSC, RoHS (M8 X 25)	41
-	1	1	2-1752356-5	SUPPORT, TERMINAL	34
-	2	2	2079383-5	SCR, BHSC, RoHS (M4 X 20)	33
-	2	2	2-2844962-1	SPACER, CYLINDRICAL, STRIP GUIDE	30
-	1	1	2844992-1	ASSEMBLY, STRIP GUIDE	29
-	1	1	1-2119791-8	DEPRESSOR, WIRE	28
-	1	1	1320928-6	STRIP GUIDE	24
-	1	1	2168083-2	SCR, SKT HD CAP, RoHS, M4 X 8.0	21
-	2	2	1-18028-2	WASHER, FLAT, REG M4	20
-	1	1	2119533-4	STRIPPER, SIDE FEED	19
-	1	1	3-22280-3	SPRING, COMPRESSION	12
-	1	1	1-356885-5	STOP, SHEAR	11
-	1	1	2119805-1	SHEAR HOLDER, FRONT	10
-	1	1	1803095-6	FLOATING SHEAR, FRONT	9
-	1	2	1803337-5	ANVIL, COMBINATION	8
-	-	-	-	-	7
-	-	-	-	-	6
-	1	1	1-2119757-8	DEPRESSOR, SHEAR	5
-	1	1	2-238011-3	BLOCK, CRIMPER SPACER	4
-	1	2	1803559-2	CRIMPER, INSULATION F PREMIUM	3
-	-	-	-	-	2
-	1	2	1803323-3	CRIMPER, WIRE PREMIUM	1

DIMENSIONS: mm		TOLERANCES UNLESS OTHERWISE SPECIFIED:		DWG: HOFFNER 15NOV2011		TE Connectivity	
0 PLC ±		1 PLC ±		CHK: T. ELBIN 16NOV2011		Harrisburg, PA 17105-3608	
2 PLC ±		3 PLC ±		APPD: T. ELBIN 16NOV2011		NAME: Ocean Side Feed Applicator	
4 PLC ±		ANGLES ±		PRODUCT SPEC		SIZE: CAGE CODE: DRAWING NO: RESTRICTED TO	
MATERIAL		FINISH		APPLICATION SPEC		SCALE: 1:2 SHEET 1 OF 4 REV N	
-		-		WEIGHT		Customer Accessible Production Drawing	
-		-		A1 00779 ©=2151447		SCALE: 1:2 SHEET 1 OF 4 REV N	

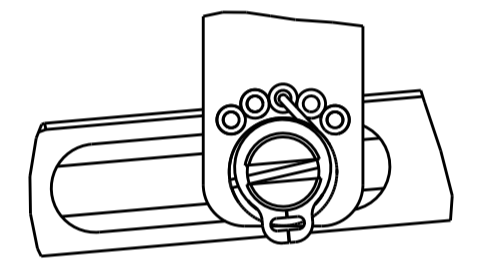
LOC		DIST		REVISIONS			
A	66	P	LTM	DESCRIPTION	DATE	OWN	APVD
		-		SEE SHEET 1	-	-	-

FEED TYPE

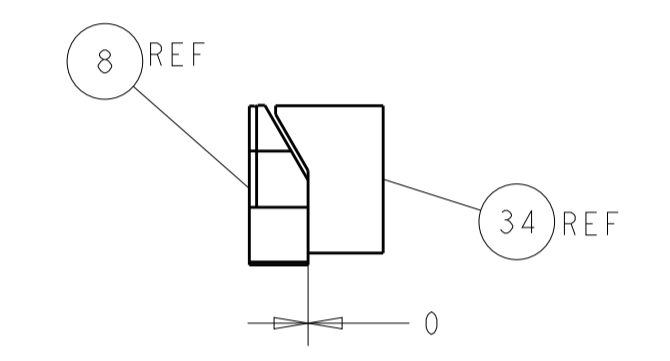
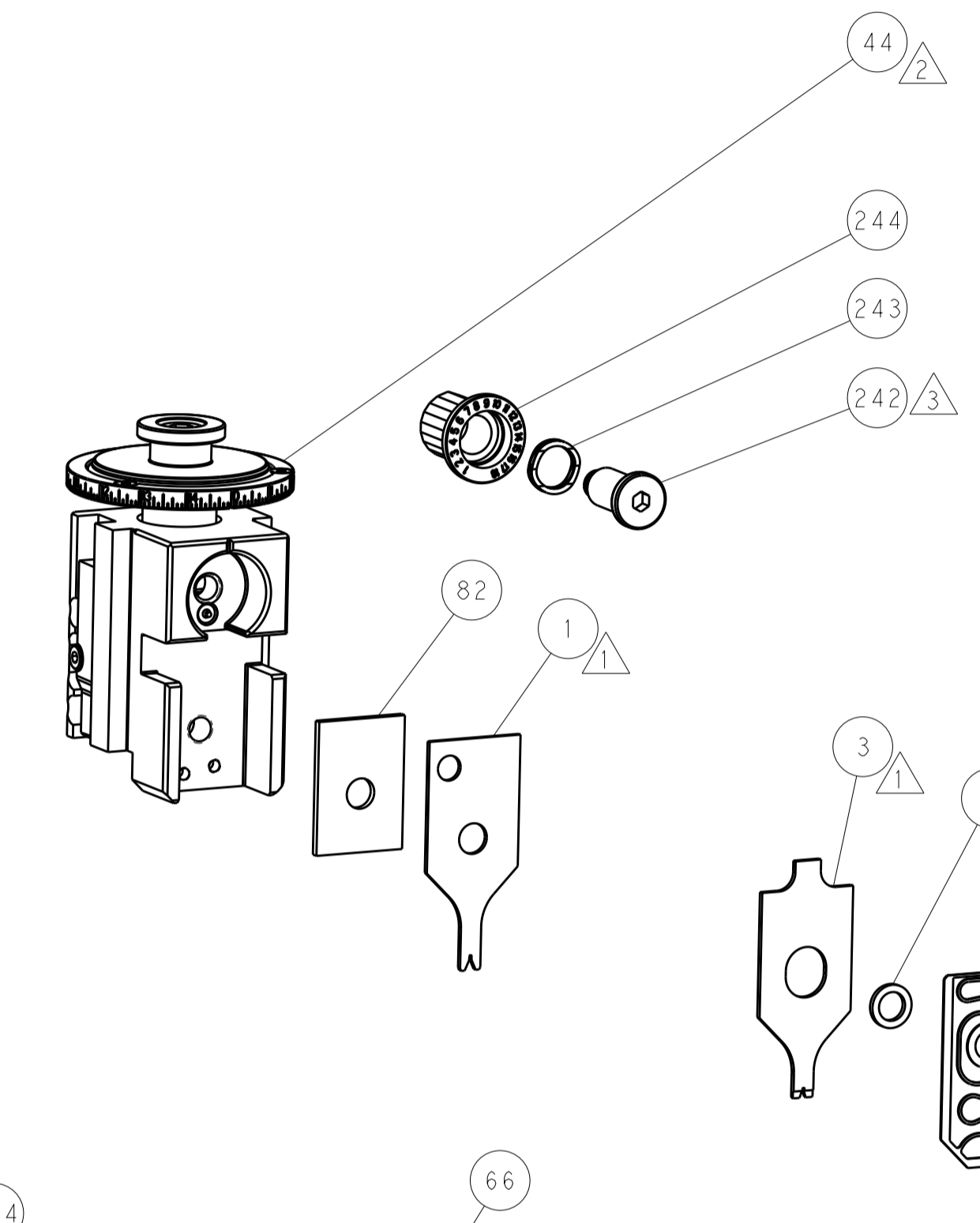
PNEUMATIC



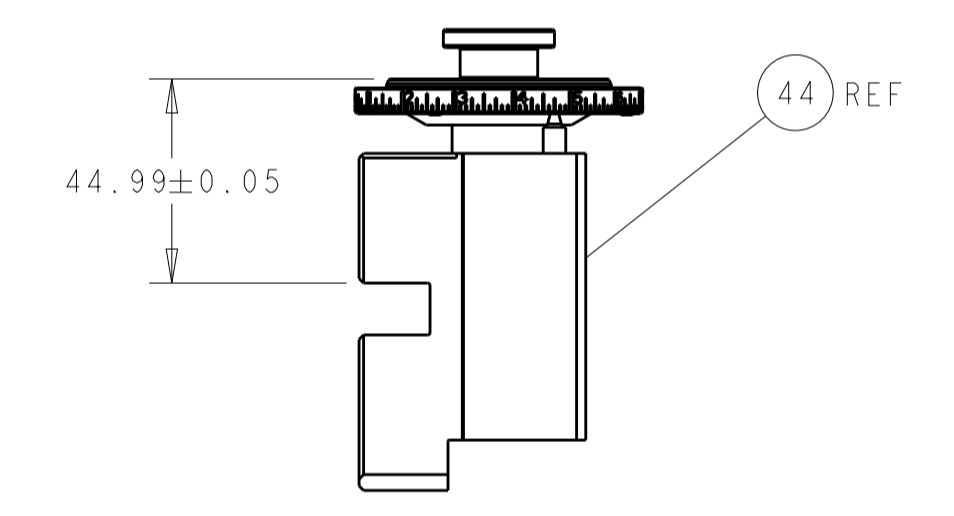
FEED SPRING SETTING POSITION
(SHOWN FROM REAR SIDE)



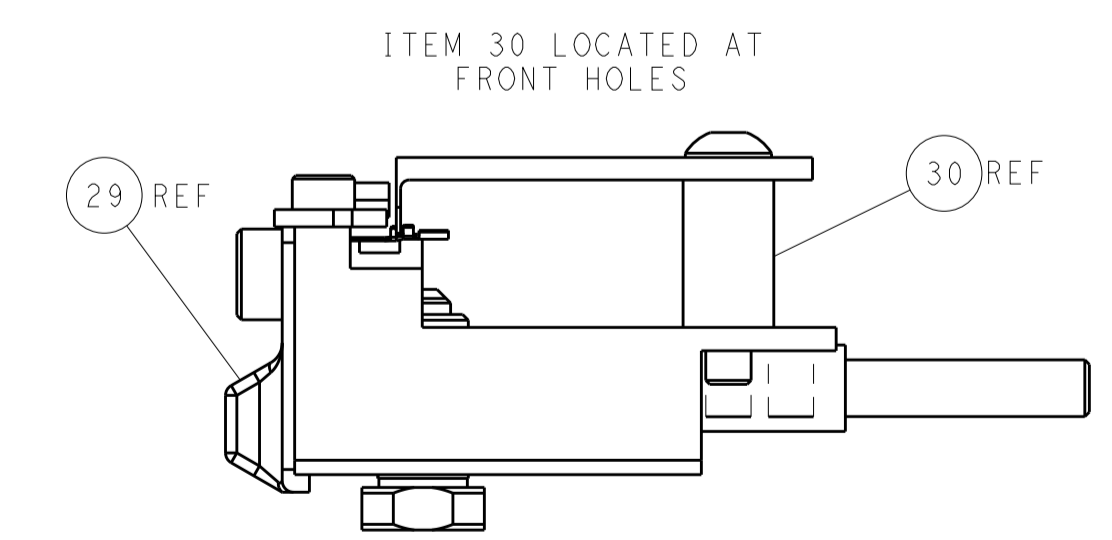
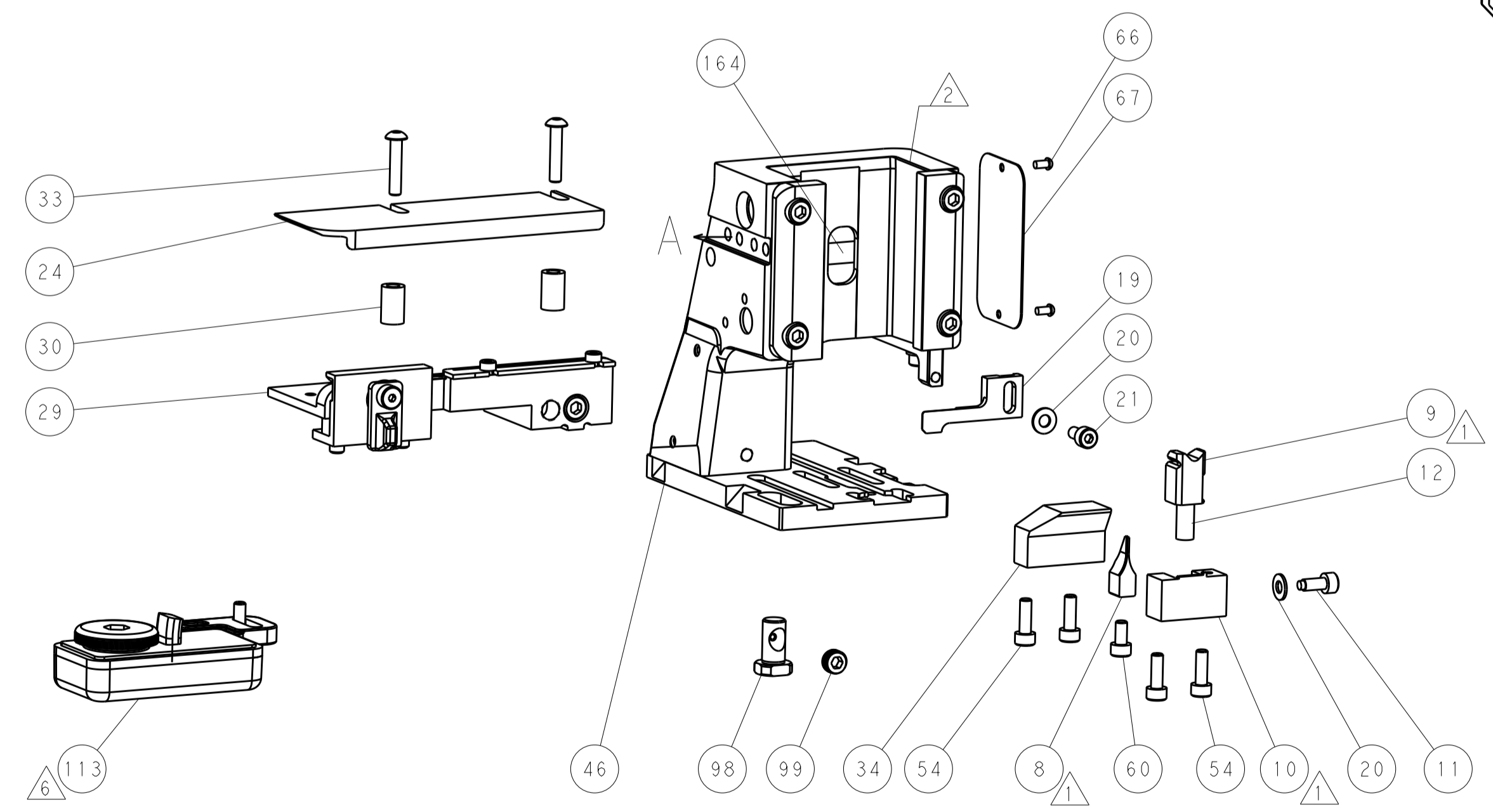
DETAIL A



TERMINAL SUPPORT LOCATION

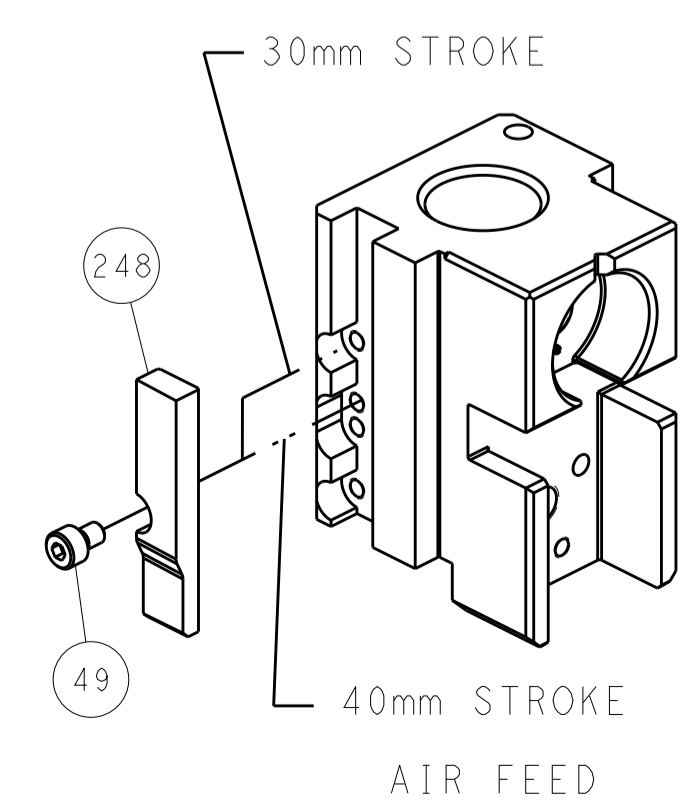


RAM SET-UP



FEED TRACK POSITION
GUIDE BY INSULATION BARREL

CAM POSITION



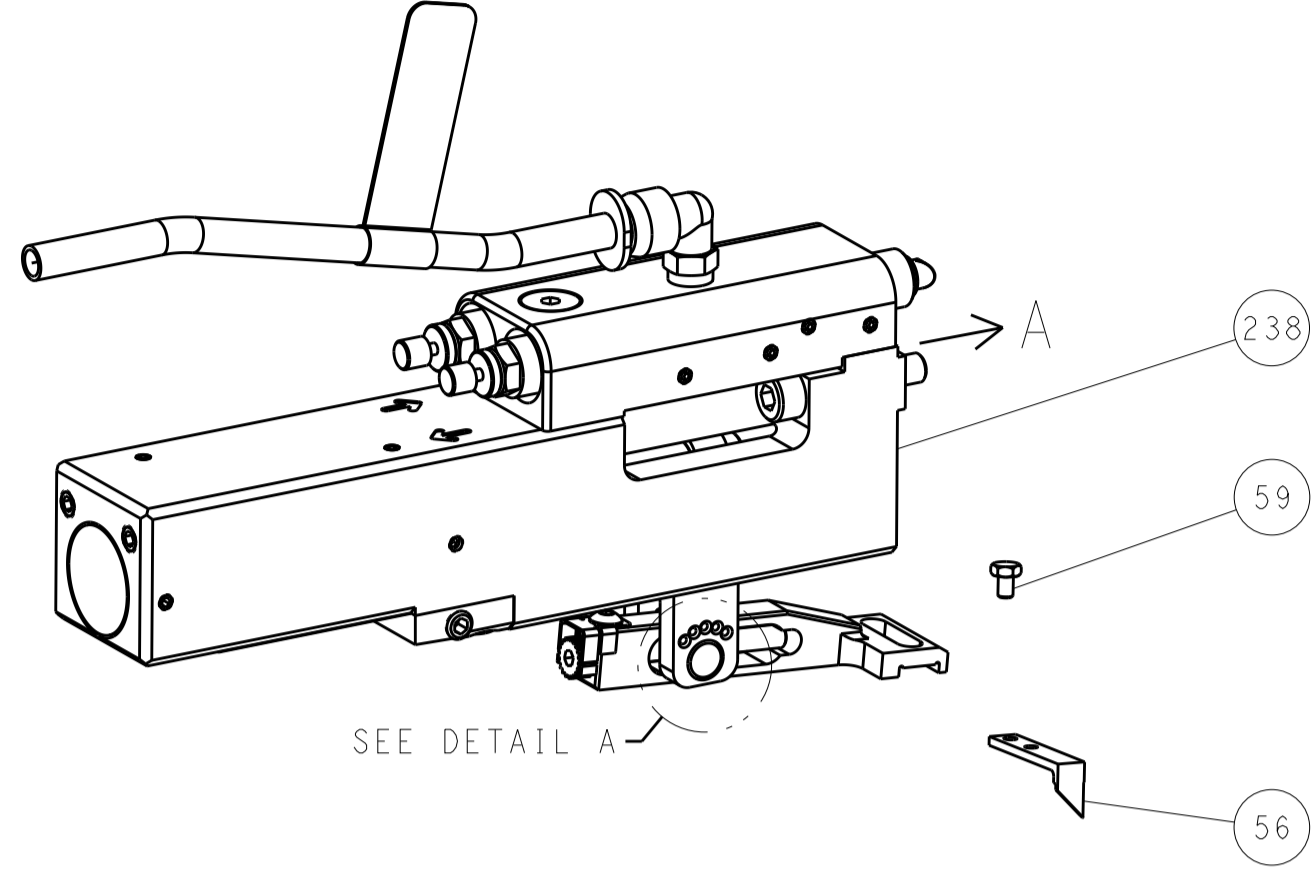
ATLANTIC VERSION
 Shown on sheets 1 of 4 & 2 of 4
 (Pacific version shown on sheets 3 of 4 & 4 of 4)

DIMENSIONS:		TOLERANCES UNLESS OTHERWISE SPECIFIED:		DWN: HOFFNER 15NOV2011		TE Connectivity	
mm	0 PLC ±	1 PLC ±	2 PLC ±	3 PLC ±	4 PLC ±	Harrisburg, PA 17105-3608	
	ANGLES ±			CHK: TELBIN 16NOV2011		NAME: Ocean Side Feed Applicator	
MATERIAL:		FINISH:		APVD: TELBIN 16NOV2011		PRODUCT SPEC:	
				APPLICATION SPEC:		RESTRICTED TO:	
				WEIGHT:		SIZE: CAGE CODE: DRAWING NO: A1 00779 ©=2151447	
				Customer Accessible Production Drawing		SCALE: 1:2 SHEET 2 OF 4 REV N	

LOC		DIST		REVISIONS			
A		66		REV	DATE	BY	APPV
-				1	SEE SHEET 1	-	-

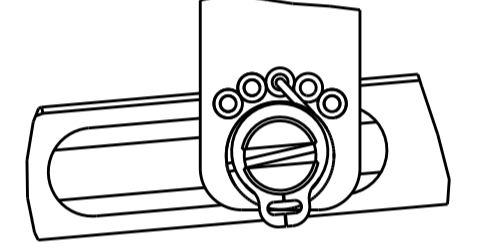
FEED TYPE

PNEUMATIC



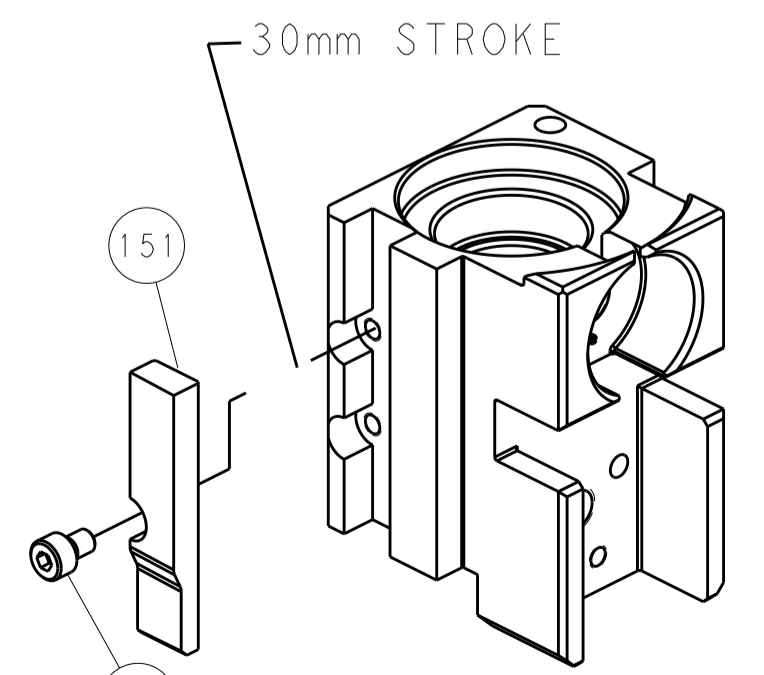
SEE DETAIL A

FEED SPRING SETTING POSITION (SHOWN FROM REAR SIDE)

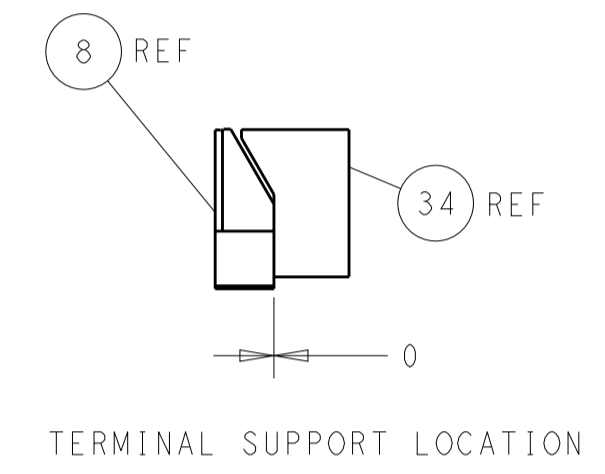
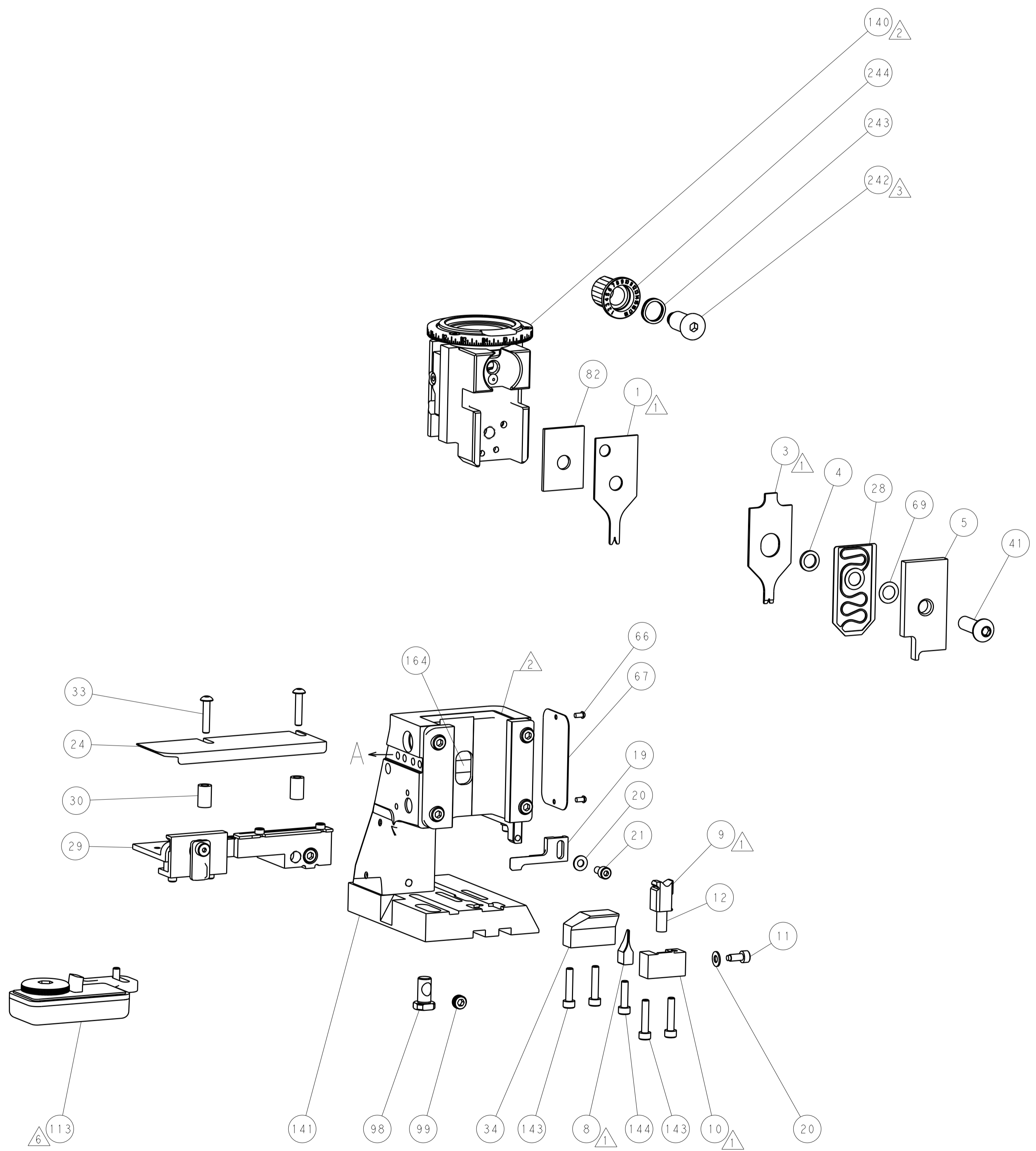


DETAIL A

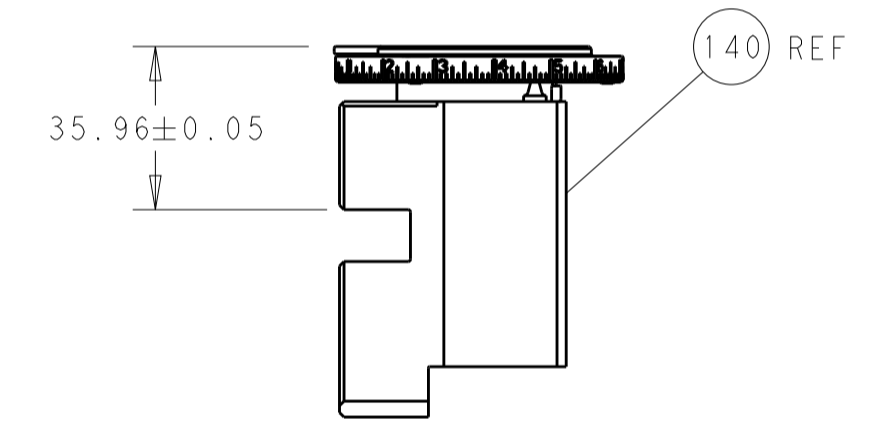
CAM POSITION



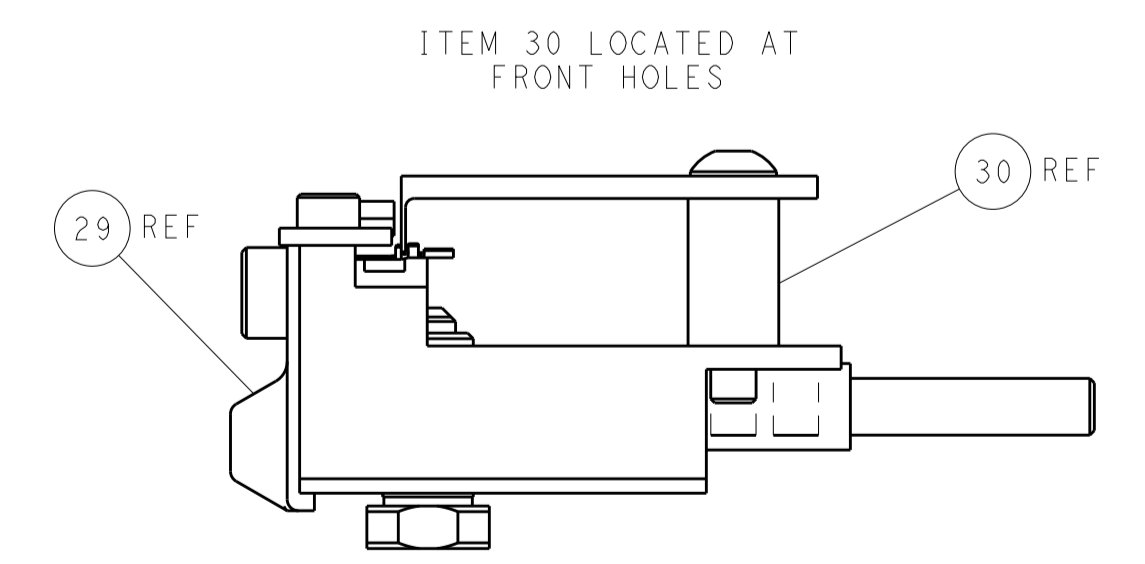
AIR FEED



TERMINAL SUPPORT LOCATION



RAM SET-UP



FEED TRACK POSITION GUIDE BY INSULATION BARREL

PACIFIC VERSION
 Shown on sheets 3 of 4 & 4 of 4
 (Atlantic version shown on sheets 1 of 4 & 2 of 4)

DIMENSIONS:		TOLERANCES UNLESS OTHERWISE SPECIFIED:		DWG: HOFFNER 15NOV2011		TE Connectivity	
mm		0 PLC ±		CHK: TELBIN 16NOV2011		Harrisburg, PA 17105-3608	
Ø		1 PLC ±		APPV: TELBIN 16NOV2011		NAME: Ocean Side Feed Applicator	
MATERIAL:		2 PLC ±		PRODUCT SPEC:		SIZE: CAGE CODE DRAWING NO: A1 00779 ©=2151447	
FINISH:		3 PLC ±		APPLICATION SPEC:		RESTRICTED TO:	
		4 PLC ±		WEIGHT:		SCALE: 1:2 SHEET 4 OF 4 REV N	
		ANGLES ±		Customer Accessible Production Drawing		SHEETS 1 & 2 ARE NOT REQUIRED FOR PACIFIC VERSION	

Mouser Electronics

Authorized Distributor

Click to View Pricing, Inventory, Delivery & Lifecycle Information:

[TE Connectivity:](#)

[2151447-2](#)