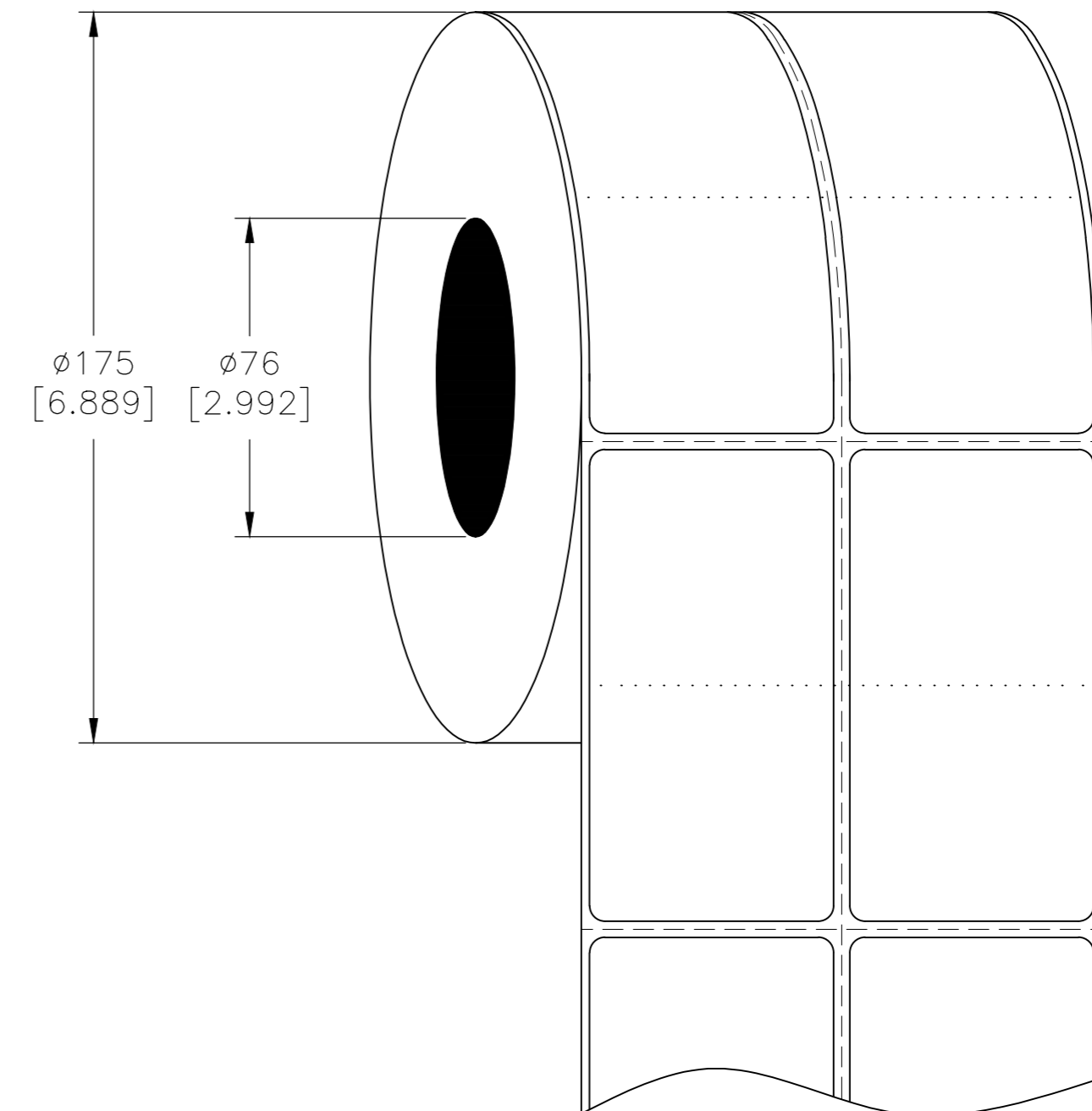
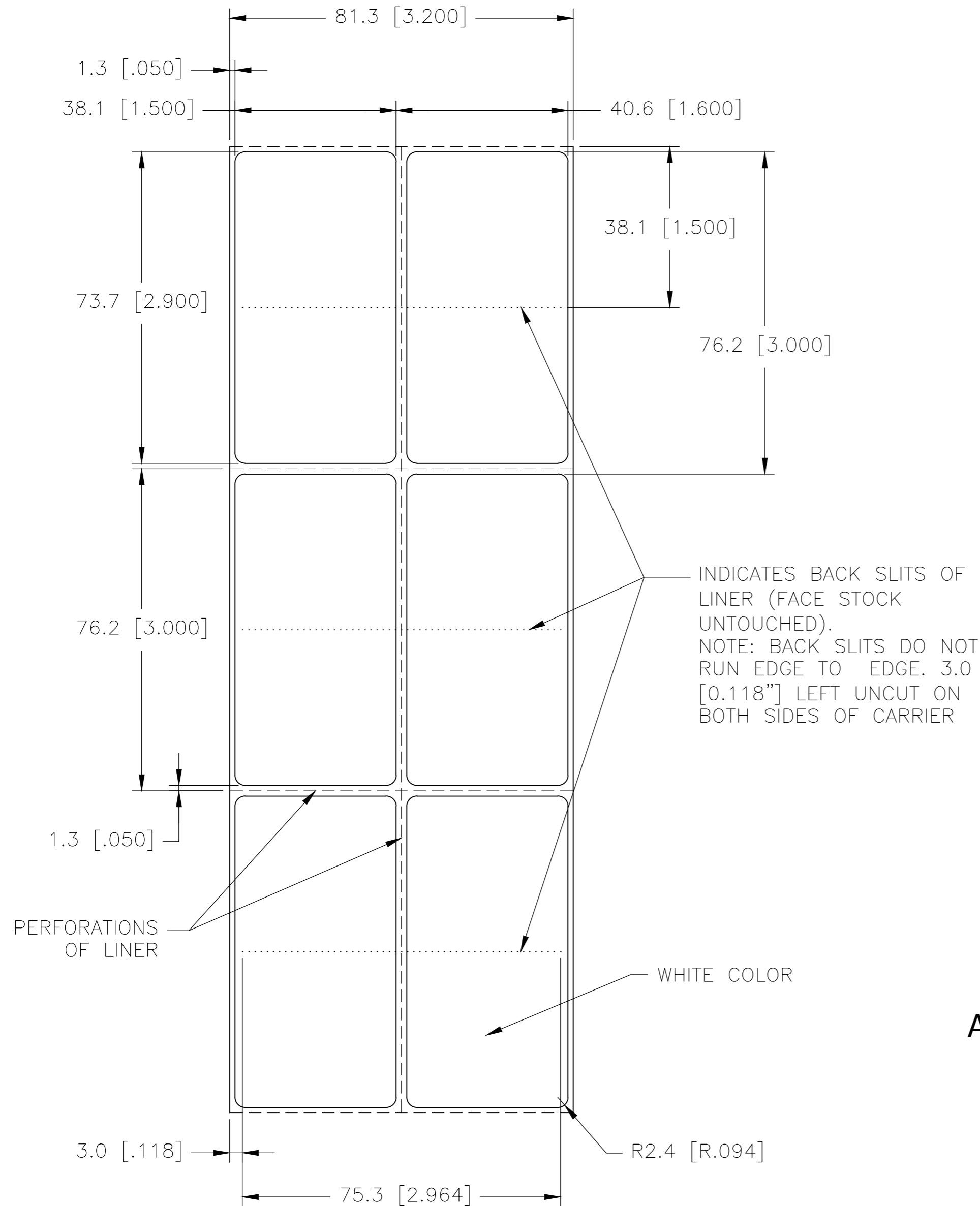


| REVISIONS | | | | |
|-----------|-----|--------------------|-----------|-------|
| P | LTR | DESCRIPTION | DATE | APVD |
| A1 | | NEW DRAWING FORMAT | 13MAY2020 | GK DB |

LABEL AND LINER DESIGN

PRESENTATION



OUTSIDE WOUND LABEL ACROSS: 2 PER ROLL QTY: 2,500

All dimensions in mm [Inch]

TE PN: D46169-000

| | |
|---------------|------------------------------|
| MATERIAL | POLYVINYL FLUORIDE (TEDLAR®) |
| ADHESIVE TYPE | PERMANENT ACRYLIC |
| LINEAR | BROWN KRAFT |

| | | | | |
|--|--|---|--|--|
| TOLERANCES mm [INCH] LABEL HEIGHT: ± 0.3 [.012] LABEL WIDTH: ± 0.3 [.012] WEB WIDTH: ± 0.8 [.031] VERTICAL REPEAT: ± 0.8 [.031]* HORIZONTAL REPEAT: ± 0.8 [.031]* PRINT POSITIONING: ± 0.8 [.031]* LEFT MARGIN: ± 0.4 [.016] QUANTITY: -0 % +2 % *NON ACCUMULATING | THIS DRAWING IS A CONTROLLED DOCUMENT. | | DWN 13MAY2020 GOPALAKRISHNA HV CHK 13MAY2020 D.BURGAT APVD 13MAY2020 D.BURGAT PRODUCT SPEC TTDS-005 APPLICATION SPEC | NAME TEDLAR® LABEL - WHITE - 2 ACCROSS 38.1mm x 73.7mm (1.5inch x 2.9inch) |
| | DIMENSIONS: mm [INCHES] | TOLERANCES UNLESS OTHERWISE SPECIFIED: 0 PLC \pm 1 PLC \pm 2 PLC \pm 3 PLC \pm 4 PLC \pm ANGLES \pm | MATERIAL SEE TABLE | FINISH GLOSS |
| SIZE A2 | | | CAGE CODE FB1U7 | DRAWING NO C=TTVF1529WE2.5 |
| RESTRICTED TO | | | | SCALE NTS |
| SHEET 1 of 1 | | | | REV A1 |

Mouser Electronics

Authorized Distributor

Click to View Pricing, Inventory, Delivery & Lifecycle Information:

[TE Connectivity:](#)

[D46169-000](#)