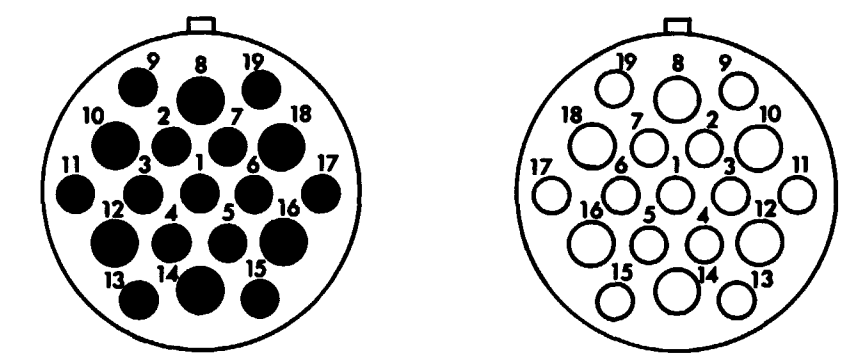
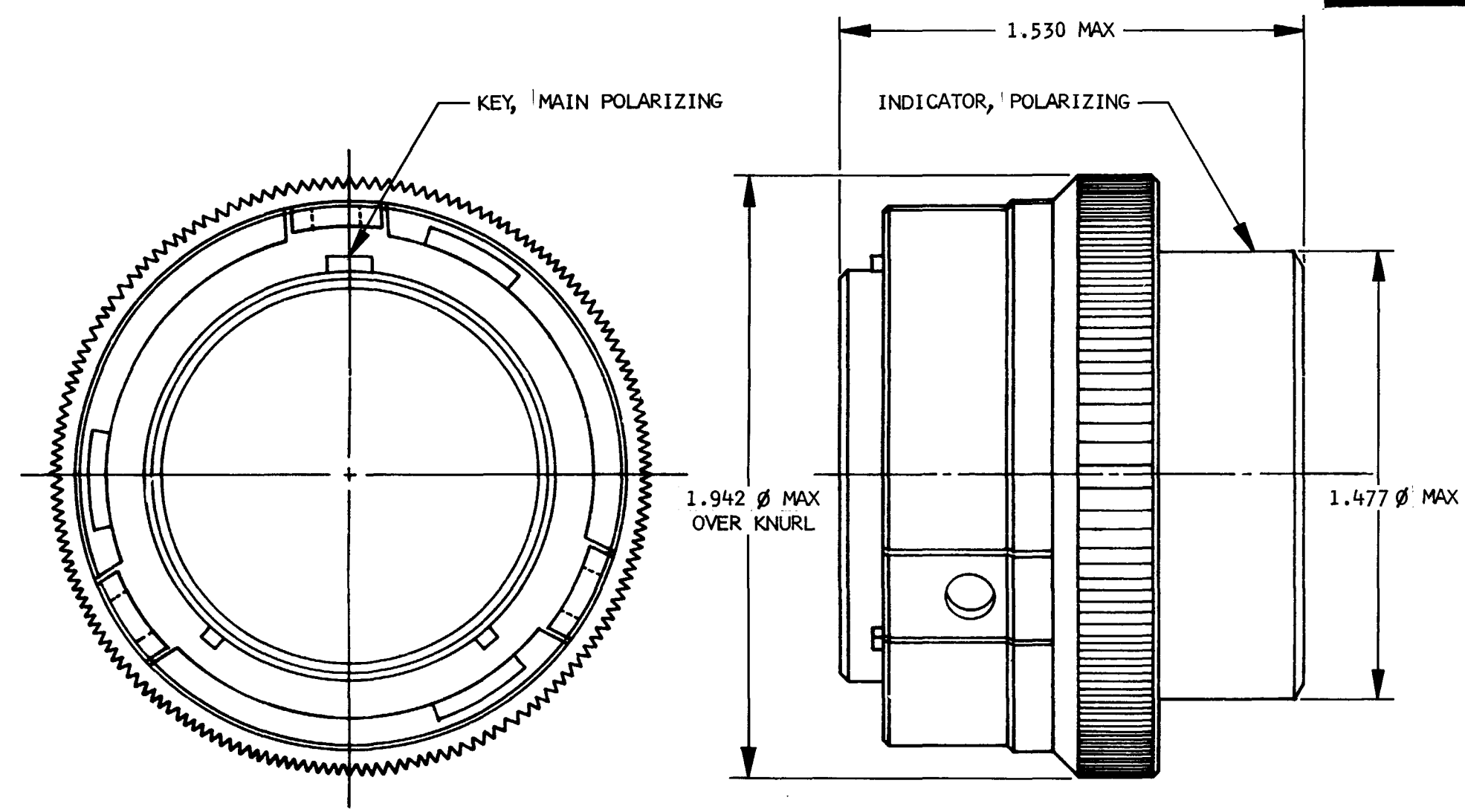


HDB36-24-19P/SN

REVISIONS

SYM	DESCRIPTION	DATE	APPROVED
N/C	NEW RELEASE PER E.O. 91285	6-8-81	T.H.



VIEW FROM REAR OF INSERT

3. THIS CONNECTOR SERIES WILL ACCOMMODATE THE FOLLOWING WIRE INSULATION DIAMETERS.

CONTACT SIZE	MIN O.D.	MAX O.D.	WIRE GAGE RANGE
12	.134	.170	12 & 14
16	.100	.130	16 & 18

2. CONSULT FACTORY FOR ELECTRICAL AND MATERIAL SPECIFICATION.

1. PERTINENT INFORMATION:
 POWER CONTACTS 12 PIN 0460-204-12141
 12 SOC 0462-203-12141
 16 PIN 0460-202-16141
 16 SOC 0462-201-16141

NOTE:

SIGNATURE & DATE	
DR	<i>D. Whitace</i> 6-2-81
CHK	<i>T. H. H. H.</i> 6-8-81
PE	<i>R. B. S.</i> 6-4-81
APPD	
SCALE	NONE
WT	

PLUG, CONNECTOR
 BREAKAWAY
 BAYONET COUPLING
 REAR INSERTION & REMOVAL
 ENVIRONMENTAL
 ENVELOPE

CP	MAT. CODE
The Deutsch Company ELECTRONIC COMPONENTS DIVISION	
B	HDB36-24-19P/SN
DWG SIZE	CODE 11139 SHEET 1 OF 1

Mouser Electronics

Authorized Distributor

Click to View Pricing, Inventory, Delivery & Lifecycle Information:

[TE Connectivity:](#)

[HDB36-24-19PN](#)