

THIS DRAWING IS A CONTROLLED DOCUMENT

DWG NO. **FDBA\_XX\_++**

Example of order : **FDBA X X X XX - XX X X - K XXXX**

**CONNECTOR TYPE**  
Standard and Hermetic

**VERSION**  
5 - Standard  
6 - Stainless steel Nickel Plating  
7 - Passivated Stainless steel

**SHELL TYPE**  
0 Square Flange Receptacle  
4 Jam-nut Mounting Receptacle  
6 Plug  
7 Plug with RFI (RADIO FREQUENCY INTERFERENCE) fingers

**VERSION**  
Without index - Sealed

**SHELL SIZE**  
08-10-12-14-16-18-20-22-24

**ARRANGEMENTS**  
As per EN3646

**CONTACT TYPE**  
P Male Contact  
S Female Contact

**INSERT CLOCKING POSITION**  
N Normal  
W-X-Y-Z Others

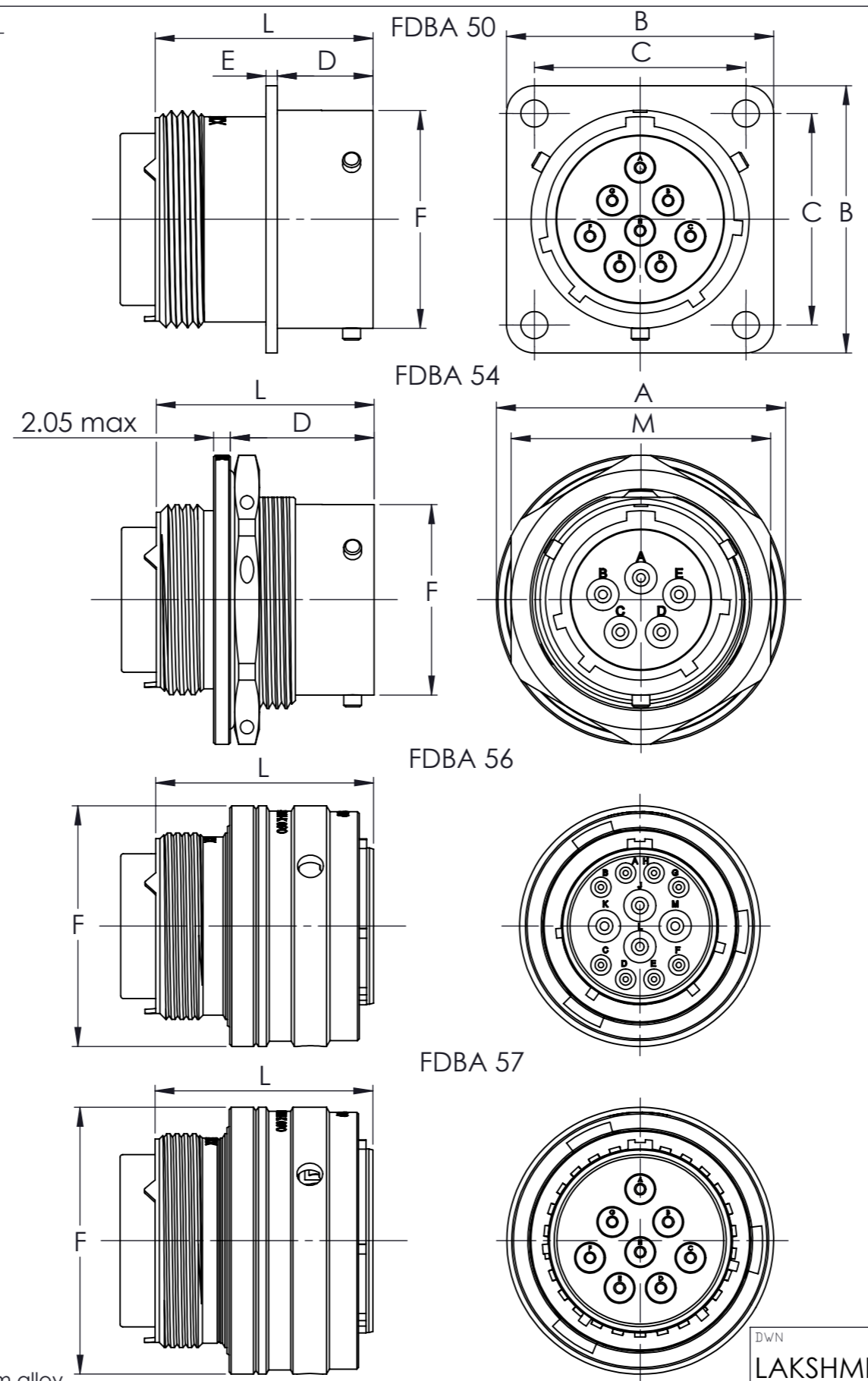
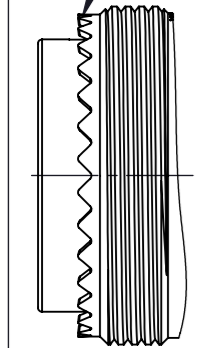
**INDEX**  
Connector Evolution

**SPECIAL MODIFICATIONS**  
059 Straight Cable Clamp  
081 Elbowed Cable Clamp  
090 Delivery without contact  
A246 Size 20 contact in accordance with ASNE  
A499 Nickel version connector  
A838 Olive drab cadmium  
B246 Hybrid arrangement size 20 & 16 in accordance with ASNE  
A377 PC tail connector

For Olive Drab Cadmium plating (A838) - Teeth over the entire periphery

**CHARACTERISTIQUES**

- Shell material : Aluminium alloy
- Insert material : Thermosetting elastomer
- Plating : Black Anodize, Nickel or Cadmium
- Service Temperature : -55°C to + 200°C
- Service Voltage : Service 1 - 500 V eff. 50 Hz  
Service 2 - 750 V eff. 50 Hz



USED DN \_

**FDBA 50**

Size	08	10	12	14	16	18	20	22	24
B max.	21.00	24.25	26.60	29.00	31.30	33.70	36.85	39.95	43.15
C ±0.1	15.08	18.26	20.62	23.02	24.58	26.98	29.36	31.76	34.92
D ±0.15	11.13	11.13	11.13	11.13	11.13	11.13	14.85	14.85	15.70
E max.	1.45	1.45	1.45	1.45	1.45	1.45	2.25	2.25	2.25
F max.	12.03	15.01	19.07	22.24	25.42	28.60	31.77	34.94	38.12
L max.	25.50	25.50	25.50	25.50	25.50	25.50	27.95	27.95	27.95

**FDBA 54**

Size	08	10	12	14	16	18	20	22	24
A max.	23.30	26.60	30.40	33.80	37.00	40.15	45.20	48.35	51.55
D ±0.1	11.13	11.13	11.13	11.13	11.13	11.13	14.85	14.85	15.70
F max.	12.03	15.01	19.07	22.24	25.42	28.60	31.77	34.94	38.12
L max.	25.50	25.50	25.50	25.50	25.50	25.50	27.95	27.95	27.95
M max.	19.20	22.37	27.12	30.30	33.47	36.67	39.82	43.02	46.17

**FDBA 56 & 57**

Size	08	10	12	14	16	18	20	22	24
F max.	17.75	21.05	24.60	28.05	31.10	34.40	37.65	40.90	44.10
L max.	25.55	25.55	25.55	25.55	25.55	25.55	27.10	27.10	27.10

Shell type 57 with RFI fingers must be ordered in accordance with part numbering system with the modification A499 (Nickel version connector)

DIMENSIONS: MM		TOLERANCES UNLESS OTHERWISE SPECIFIED:	
0 PLC	±	1 PLC	±0.05
2 PLC	±0.05	3 PLC	±0.02
4 PLC	±		

ANGLES ±°

SURFACE TEXTURE

DWN	LAKSHMI SUDHA R		MATERIAL	-	HEAT TREAT	-			
CHK	RAKESH S								
APVD	VINCENT P		<b>TE Connectivity</b>						
NAME	FDBA SERIES CONNECTOR								
SCALE	2:1	SIZE	A3	DRAWING NO	FDBA_XX_++	SHEET	1 OF 1	REV	A

THIS INFORMATION IS CONFIDENTIAL AND PROPRIETARY TO TYCO ELECTRONICS CORPORATION AND ITS WORLDWIDE SUBSIDIARIES AND AFFILIATES (TE). IT MAY NOT BE DISCLOSED TO ANYONE, OTHER THAN TE PERSONNEL, WITHOUT AUTHORIZATION FROM TE (www.TE.com).

# Mouser Electronics

Authorized Distributor

Click to View Pricing, Inventory, Delivery & Lifecycle Information:

[TE Connectivity:](#)

[ZPF00000000019232](#)