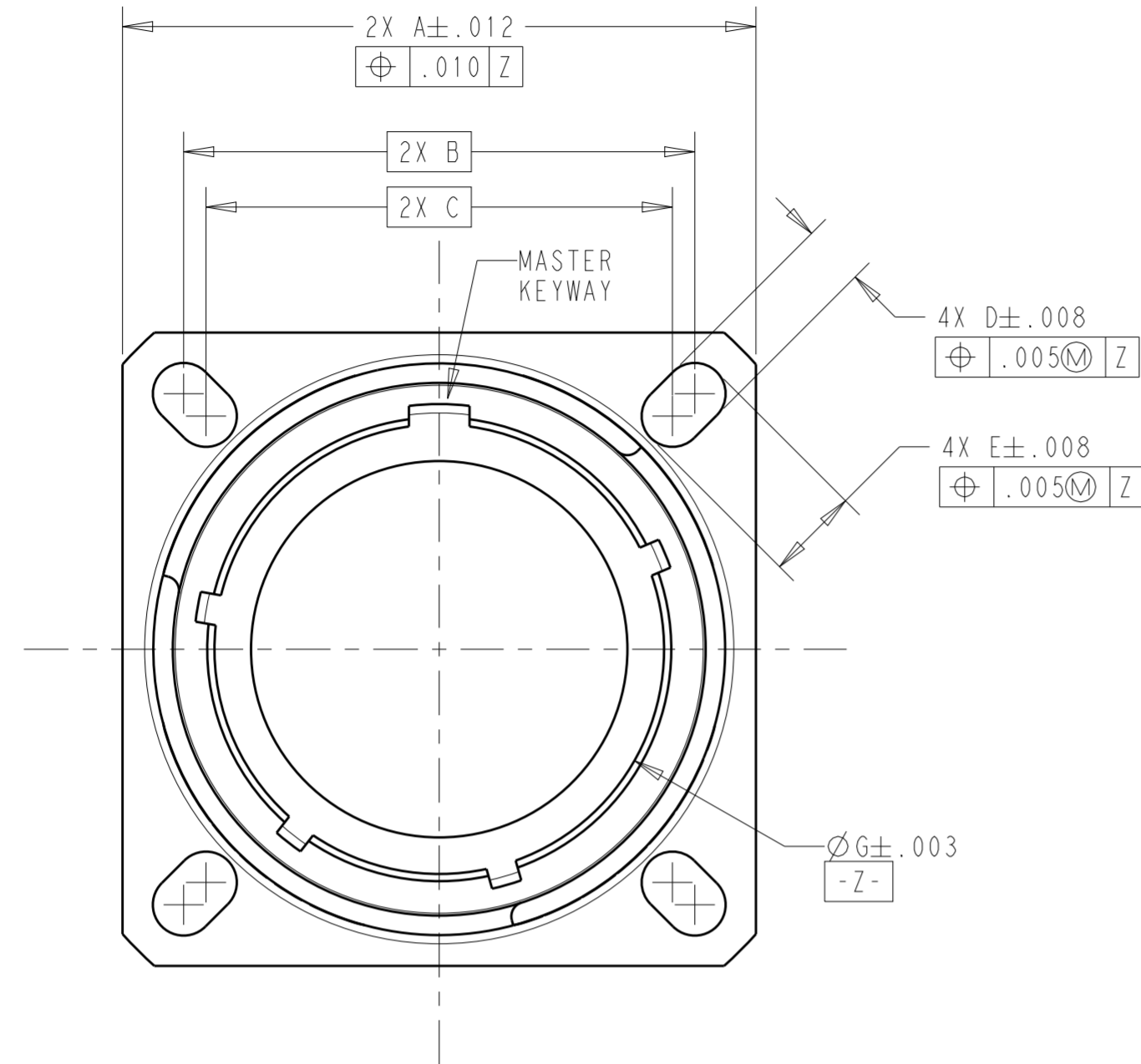
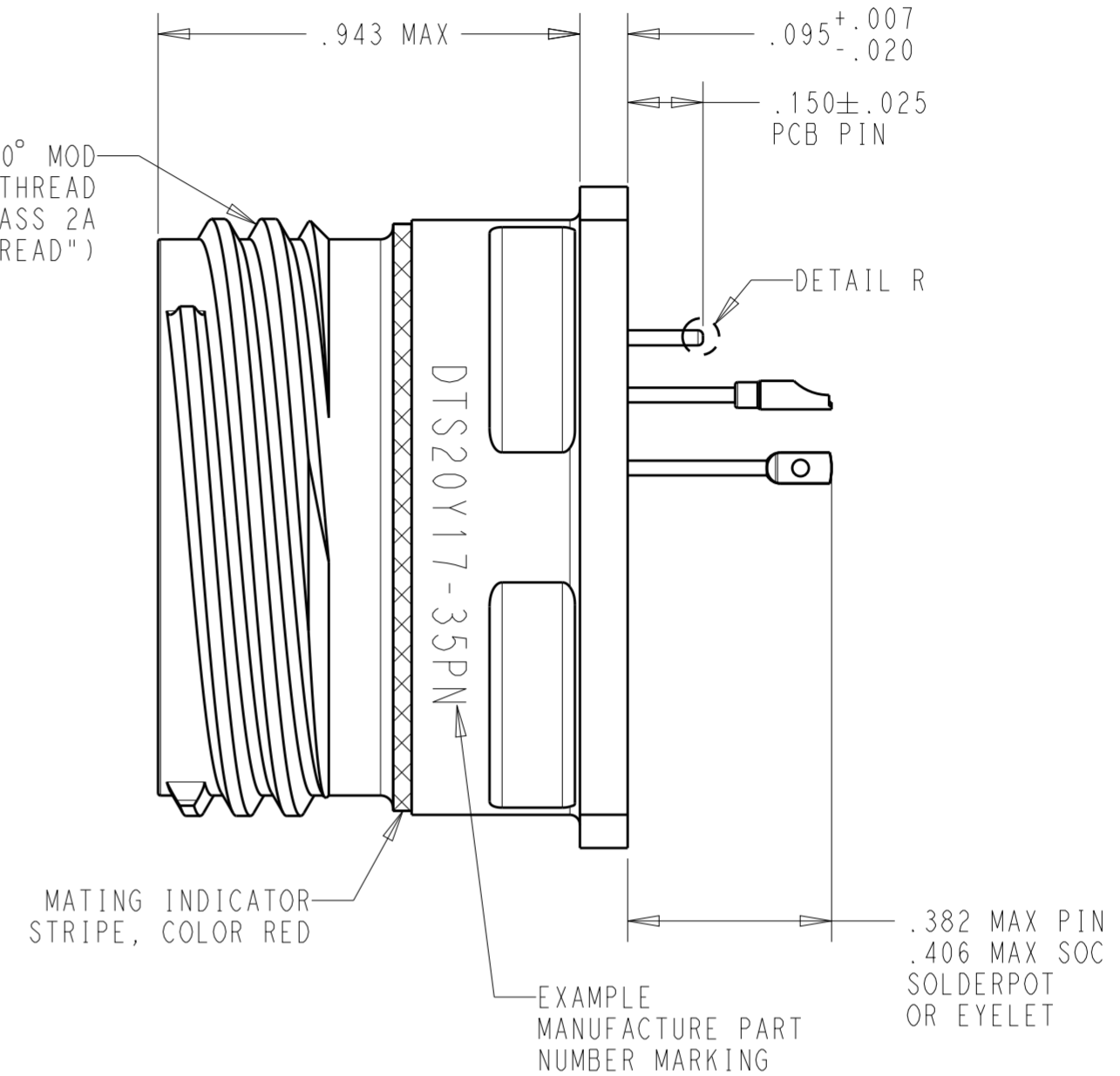


REVISIONS					
P	LTR	DESCRIPTION	DATE	DWN	APVD
B		REVISED PER ECO-19-013635	05SEP2019	JM	EO

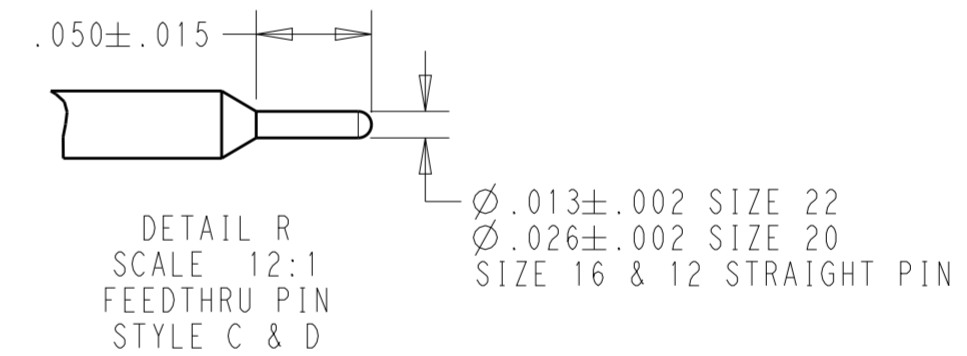


STUB 60° MOD
TRIPLE START THREAD
"F"-.1P-.3L CLASS 2A
(SEE COLUMN "F THREAD")



PART NUMBER BREAKDOWN: DTS 20 Y 17-35 P N

- SHELL KEYING POSITIONS: N, A, B, C, D OR E
- CONTACT PIN STYLE: P = SOLDERCUP, X = EYELET, C = PCB PIN
CONTACT SOC STYLE: S = SOLDERCUP, Z = EYELET, D = PCB PIN
- INSERT ARRANGEMENT
- SHELL SIZE: 9, 11, 13, 15, 17, 19, 21, 23, OR 25
- CLASS: N = NICKEL PLATE OVER STAINLESS STEEL
Y = ELECTRO-POLISHED STAINLESS STEEL
H = SAME AS CLASS "Y" BUT SPACE GRADE
- SHELL MOUNTING STYLE: 20 = BOX FLANGE MOUNT
- BASIC IDENTIFIER: 38999 SERIES III HERMETIC RECEPTACLE



1. DIMENSIONS ARE INCHES UNLESS OTHERWISE NOTED
2. INSERT ARRANGEMENT CONFORMS TO MIL-STD-1560
3. LEAK RATE: <IE-8 cc/sec He @ 1 atm
4. FINISH: SHELL - STAINLESS STEEL
PIN CONTACTS - HIGH NICKEL IRON ALLOY OR EQUIVALENT
GLASS - COMPRESSION GLASS
PIN INSERT & INTERNAL SEAL - FLUOROSILICONE ELASTOMER
5. MATERIAL: SHELL - STAINLESS STEEL
PIN CONTACTS - HIGH NICKEL IRON ALLOY OR EQUIVALENT
GLASS - COMPRESSION GLASS
PIN INSERT & INTERNAL SEAL - FLUOROSILICONE ELASTOMER
6. MATES WITH DTS26 SERIES PLIUG CONNECTOR
7. CONNECTOR MEETS REQUIREMENT OF MIL-STL-38999 SERIES III
8. CONSULT CUSTOMER SERVICE FOR ARRANGEMENT AVAILABILITY
9. MOUNYING INFORMATION: DIMENSION "B" FRONT OR REAR PANEL MOUNT
DIMENSION "C" FRONT PANEL MOUNT ONLY

SHELL SIZE	A	B	C	D	E	F THREAD	G
9	.937	.719	.594	.128	.216	.6250	.444
11	1.032	.812	.719	.128	.194	.7500	.572
13	1.126	.906	.812	.128	.194	.8750	.684
15	1.221	.969	.906	.128	.173	1.0000	.808
17	1.311	1.062	.969	.128	.194	1.1875	.934
19	1.437	1.156	1.062	.128	.194	1.2500	1.039
21	1.563	1.250	1.156	.128	.194	1.3750	1.164
23	1.689	1.375	1.250	.154	.242	1.5000	1.289
25	1.811	1.500	1.375	.154	.242	1.6250	1.414

MC: 72	FINISH:
DESCRIPTION: CONNECTOR, RECEPTACLE	
HERMETIC SQUARE FLANGE MOUNT THREAD COUPLING MIL-DTL-38999/21	
ENVELOPE	
CP	CAGE CODE 11139
PART TO HAVE NO BURRS OR SHARP EDGES	

THIS DRAWING IS A CONTROLLED DOCUMENT.		DWN 05SEP2019 JUAN MONTEMAYOR	 TE Connectivity	NAME CONNECTOR, RECEPTACLE	
DIMENSIONS: in		CHK 05SEP2019 ENRIQUE OCHOA		SIZE A2	
TOLERANCES UNLESS OTHERWISE SPECIFIED: 0 PLC ±.1 1 PLC ±.02 2 PLC ±.02 3 PLC ±.005 4 PLC ±.0005 ANGLES ±.5°		APVD 05SEP2019 ENRIQUE OCHOA		CAGE CODE 11139	
MATERIAL SEE NOTE 5		PRODUCT SPEC APPLICATION SPEC		DRAWING NO DTS20XXX-XXXX	
CUSTOMER DRAWING		WEIGHT	RESTRICTED TO		
SCALE 6:1		SHEET 1 OF 1		REV B	

Mouser Electronics

Authorized Distributor

Click to View Pricing, Inventory, Delivery & Lifecycle Information:

[TE Connectivity:](#)

[DTS20F25-19SN](#)