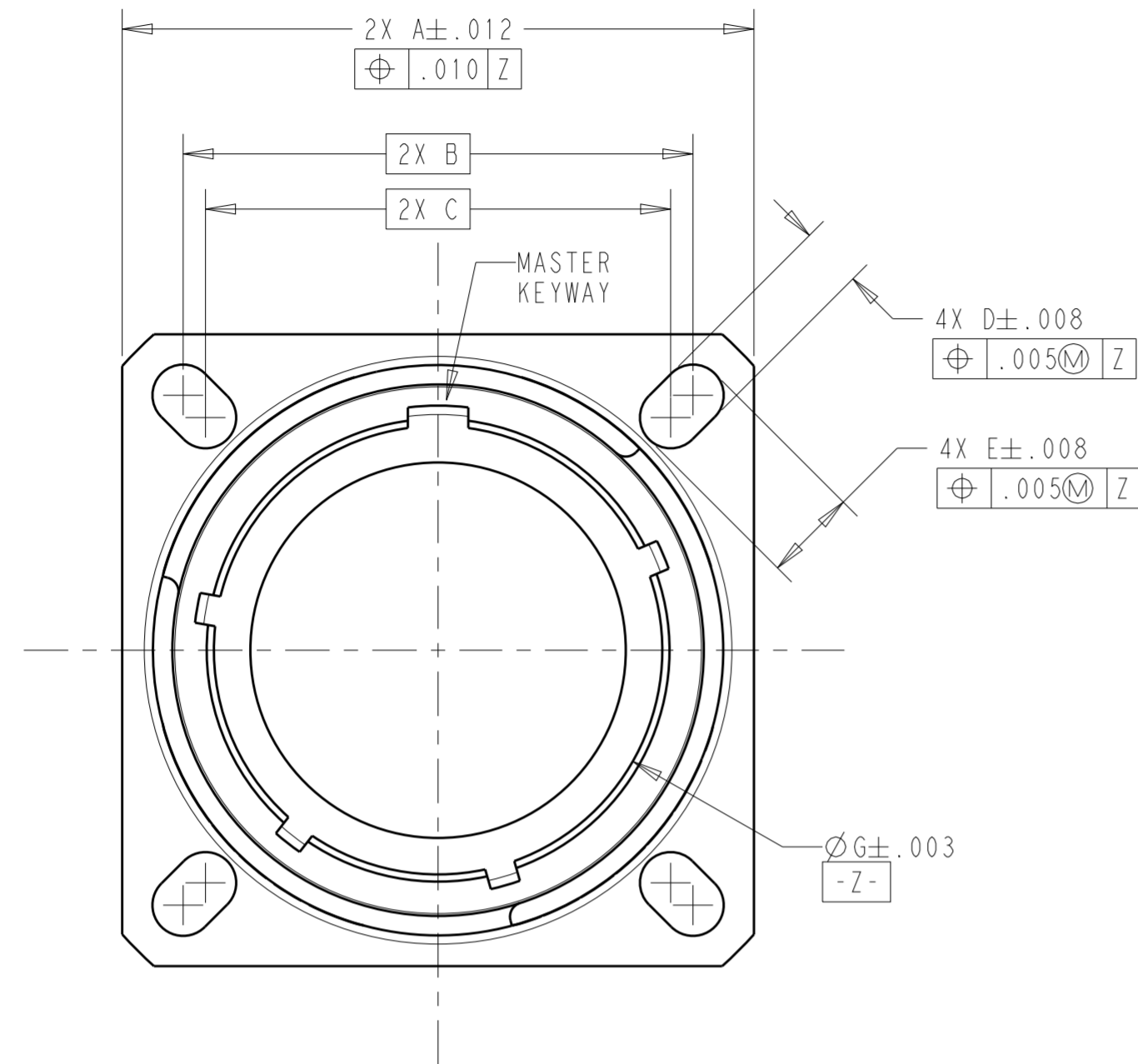
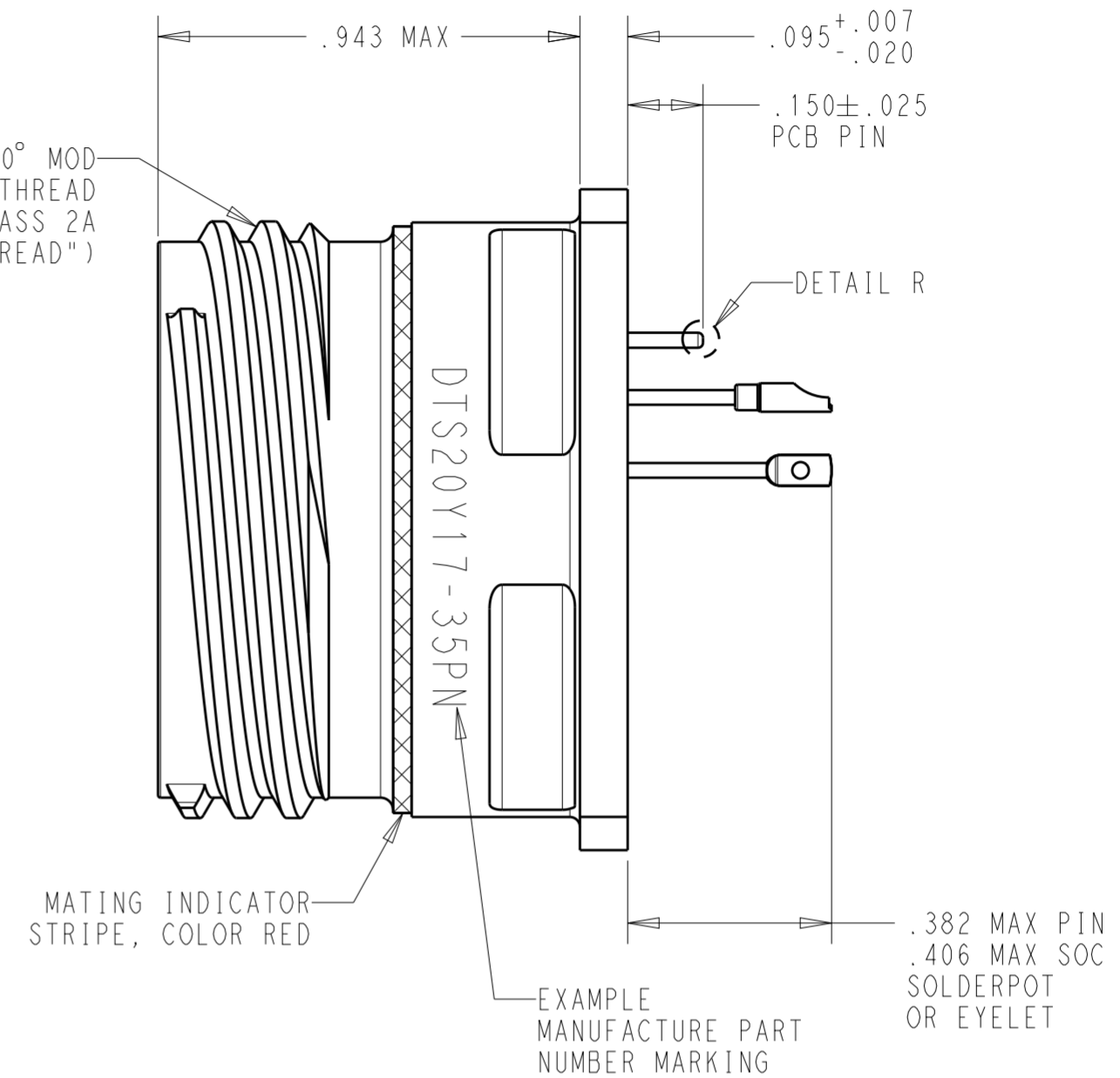


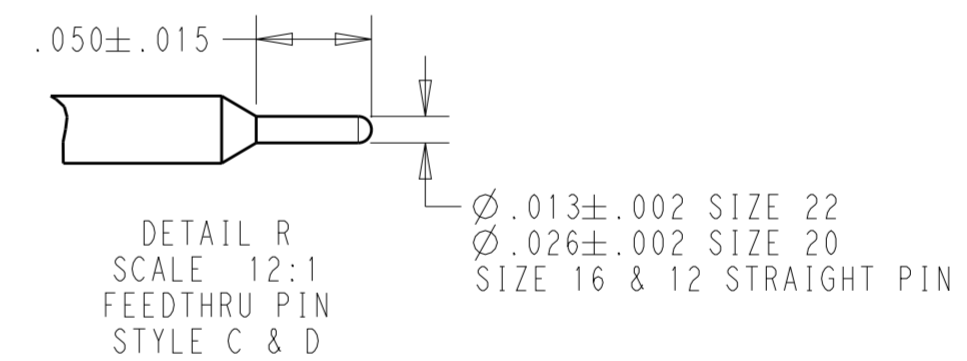
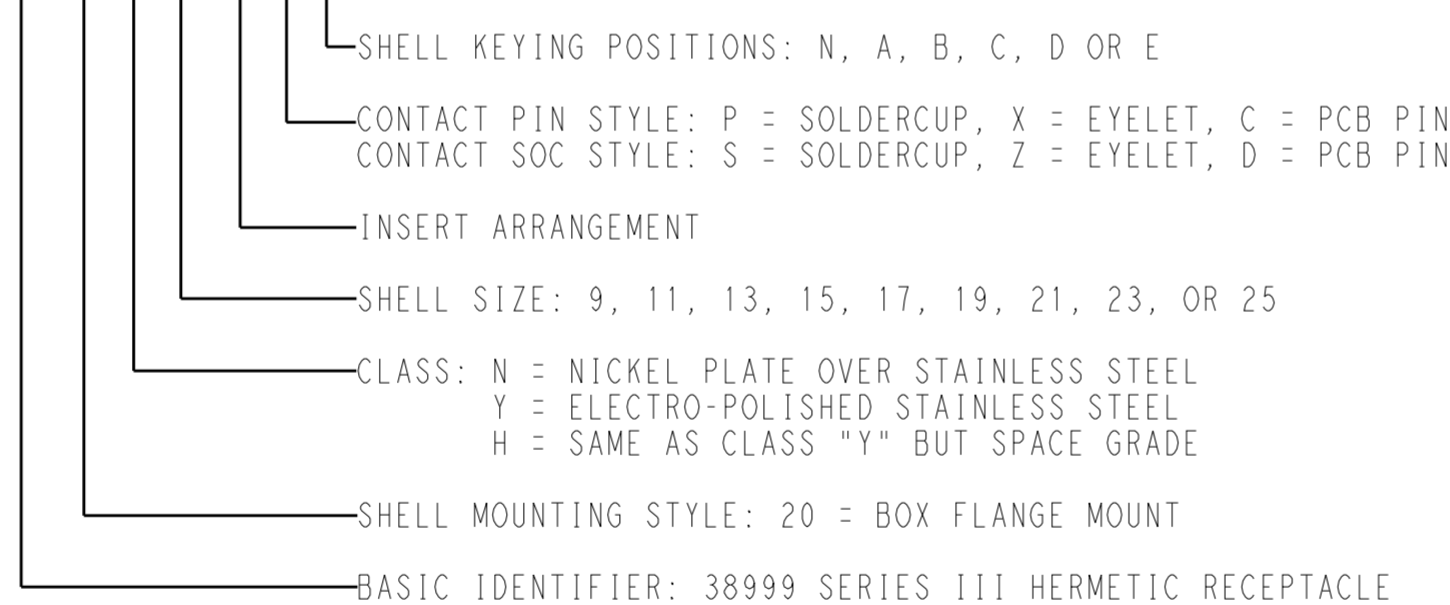
REVISIONS					
P	LTR	DESCRIPTION	DATE	DWN	APVD
B		REVISED PER ECO-19-013635	05SEP2019	JM	EO



STUB 60° MOD
TRIPLE START THREAD
"F"-.1P-.3L CLASS 2A
(SEE COLUMN "F THREAD")



PART NUMBER BREAKDOWN: DTS 20 Y 17-35 P N



- DIMENSIONS ARE INCHES UNLESS OTHERWISE NOTED
- INSERT ARRANGEMENT CONFORMS TO MIL-STD-1560
- LEAK RATE: <IE-8 cc/sec He @ 1 atm
- FINISH: SHELL - STAINLESS STEEL
PIN CONTACTS - HIGH NICKEL IRON ALLOY OR EQUIVALENT
GLASS - COMPRESSION GLASS
PIN INSERT & INTERNAL SEAL - FLUOROSILICONE ELASTOMER
- MATERIAL: SHELL - STAINLESS STEEL
PIN CONTACTS - HIGH NICKEL IRON ALLOY OR EQUIVALENT
GLASS - COMPRESSION GLASS
PIN INSERT & INTERNAL SEAL - FLUOROSILICONE ELASTOMER
- MATES WITH DTS26 SERIES PLIUG CONNECTOR
- CONNECTOR MEETS REQUIREMENT OF MIL-STL-38999 SERIES III
- CONSULT CUSTOMER SERVICE FOR ARRANGEMENT AVAILABILITY
- MOUNTING INFORMATION: DIMENSION "B" FRONT OR REAR PANEL MOUNT
DIMENSION "C" FRONT PANEL MOUNT ONLY

SHELL SIZE	A	B	C	D	E	F THREAD	G
9	.937	.719	.594	.128	.216	.6250	.444
11	1.032	.812	.719	.128	.194	.7500	.572
13	1.126	.906	.812	.128	.194	.8750	.684
15	1.221	.969	.906	.128	.173	1.0000	.808
17	1.311	1.062	.969	.128	.194	1.1875	.934
19	1.437	1.156	1.062	.128	.194	1.2500	1.039
21	1.563	1.250	1.156	.128	.194	1.3750	1.164
23	1.689	1.375	1.250	.154	.242	1.5000	1.289
25	1.811	1.500	1.375	.154	.242	1.6250	1.414

MC: 72	FINISH:
DESCRIPTION: CONNECTOR, RECEPTACLE	
HERMETIC SQUARE FLANGE MOUNT THREAD COUPLING MIL-DTL-38999/21	
ENVELOPE	
CP	CAGE CODE 11139
PART TO HAVE NO BURRS OR SHARP EDGES	

THIS DRAWING IS A CONTROLLED DOCUMENT.		DWN 05SEP2019 JUAN MONTEMAYOR	TE Connectivity	
DIMENSIONS: in		CHK 05SEP2019 ENRIQUE OCHOA		
TOLERANCES UNLESS OTHERWISE SPECIFIED: 0 PLC ±.1 1 PLC ±.02 2 PLC ±.005 3 PLC ±.0005 4 PLC ±.0005 ±.5° ANGLES ±.5° FINISH		APVD 05SEP2019 ENRIQUE OCHOA	NAME CONNECTOR, RECEPTACLE	
MATERIAL SEE NOTE 5		PRODUCT SPEC -	SIZE A2	
CUSTOMER DRAWING		APPLICATION SPEC -	CAGE CODE 11139	
SCALE 6:1		WEIGHT -	DRAWING NO DTS20XXX-XXXX	
SHEET 1 OF 1		RESTRICTED TO -		REV B

Mouser Electronics

Authorized Distributor

Click to View Pricing, Inventory, Delivery & Lifecycle Information:

[TE Connectivity:](#)

[ZPF00000000090416](#)