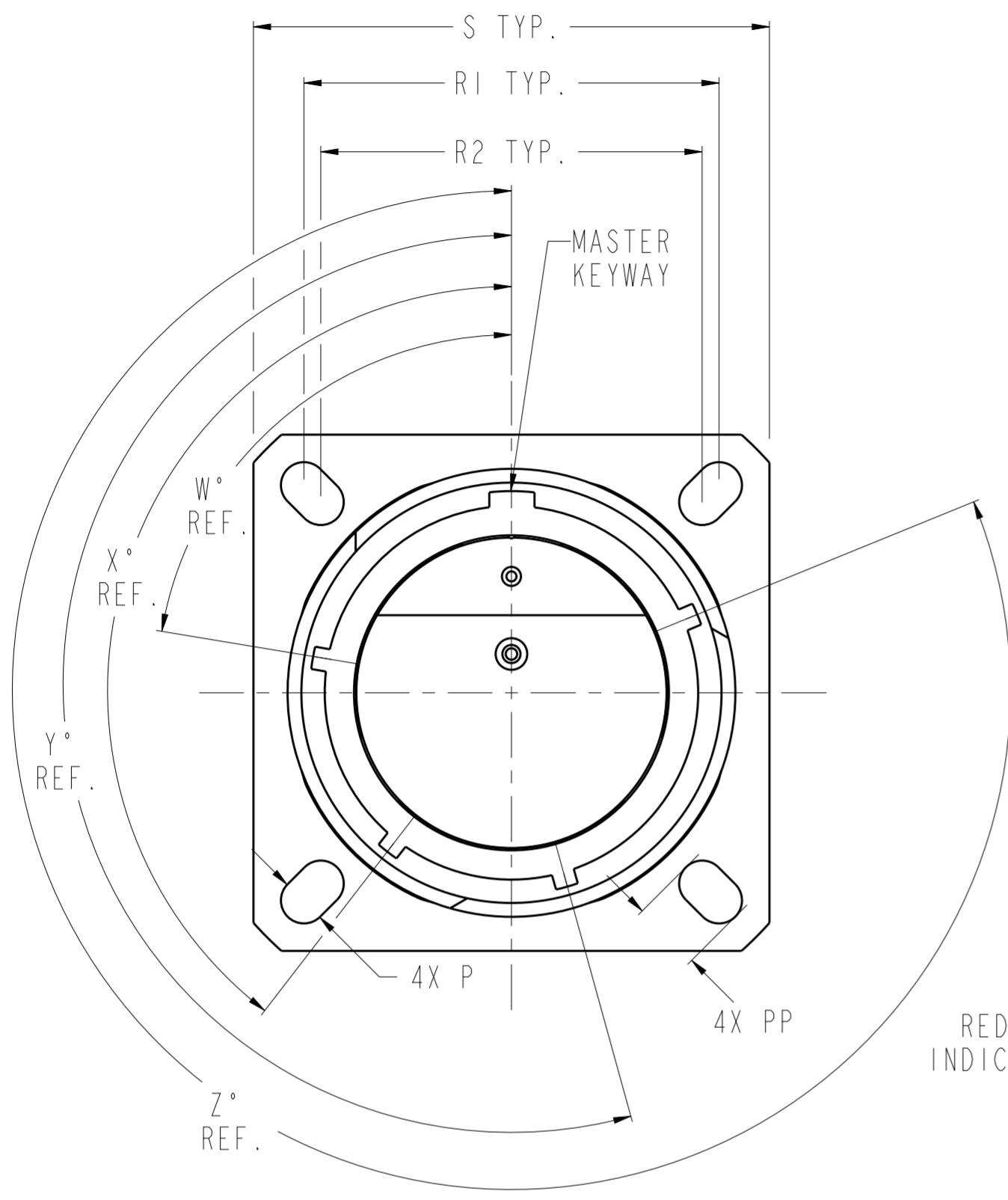


THIS DRAWING IS UNPUBLISHED. RELEASED FOR PUBLICATION 20  
 © COPYRIGHT 20 BY - ALL RIGHTS RESERVED.

**T.E. PROPRIETARY AND CONFIDENTIAL**  
 This drawing contains proprietary information that shall not be disclosed, duplicated nor used in whole or in part for any purpose other than to evaluate this drawing.

| REVISONS |     | DATE                      | DWN    | APVD  |
|----------|-----|---------------------------|--------|-------|
| P        | LTR | DESCRIPTION               |        |       |
| A        |     | REVISED PER E.O. C8206    | 110510 | RB    |
| B        |     | UPDATED PER ECO-14-008850 | 140611 | CB EA |
| C        |     | UPDATED PER ECO-16-000868 | 160126 | MJ EA |



EXAMPLE OF PART NUMBER  
 DTS 20 x xx - xx P/S x-xxxx

MODIFICATION  
 KEYING POSITION  
 N = NORMAL, A, B, C, D & E  
 CONTACT STYLE  
 P = PIN S = SOCKET  
 A = LESS PIN B = LESS SOCKET  
 H = 1500 CYCLES - PIN J = 1500 CYCLES - SOCKET  
 INSERT ARRANGEMENT  
 SHELL SIZE  
 CLASS F = NICKEL  
 G = NICKEL SPACE GRADE  
 T = TEFLON NICKEL  
 W = OLIVE DRAB CADMIUM  
 Z = ZINC NICKEL  
 SHELL STYLE  
 20 = SQUARE FLANGE RECEPTACLE  
 CONNECTOR SERIES  
 DEUTSCH MIL-DTL-38999 SERIES III

- FOR AVAILABILITY CONSULT FACTORY. (C1)
- FOR APPLICABLE KEYING DIAGRAM AND PANEL CUTOUT DIMENSIONS, SEE MIL-DTL-38999. FOR AVAILABLE INSERT ARRANGEMENTS, SEE MIL-STD-1560.
- GENERAL SPECIFICATIONS: THIS CONNECTOR MEETS THE PERFORMANCE AND INTERMATEABILITY REQUIREMENTS OF MIL-DTL-38999, SERIES III.
- MATERIAL / FINISH: SHELL - ALUMINUM ALLOY / PLATING PER EXAMPLE PART NUMBER DESCRIPTION.  
 RESILIENT INSERTS - SILICONE ELASTOMER  
 PLASTIC INSERTS - THERMOPLASTIC.  
 CONTACTS - COPPER ALLOY / GOLD PLATED.
- ALL DIMENSIONS ARE IN INCHES UNLESS OTHERWISE SPECIFIED. THREAD CALLOUTS ARE METRIC.

| SIZE                  | KEYING DESIGNATION LETTER | W°  | X°  | Y°  | Z°  |
|-----------------------|---------------------------|-----|-----|-----|-----|
| 9                     | N                         | 105 | 140 | 215 | 265 |
|                       | A                         | 102 | 132 | 248 | 320 |
|                       | B                         | 80  | 118 | 230 | 312 |
|                       | C                         | 35  | 140 | 205 | 275 |
|                       | D                         | 64  | 155 | 234 | 304 |
| 11, 13 AND 15         | N                         | 95  | 141 | 208 | 236 |
|                       | A                         | 113 | 156 | 182 | 292 |
|                       | B                         | 90  | 145 | 195 | 252 |
|                       | C                         | 53  | 156 | 220 | 255 |
|                       | D                         | 119 | 146 | 176 | 298 |
| 17, 19, 21, 23 AND 25 | N                         | 80  | 142 | 196 | 293 |
|                       | A                         | 135 | 170 | 200 | 310 |
|                       | B                         | 49  | 169 | 200 | 244 |
|                       | C                         | 66  | 140 | 200 | 257 |
|                       | D                         | 62  | 145 | 180 | 280 |
| E                     | 79                        | 153 | 197 | 272 |     |

| PART NUMBER     | SIZE | D THREAD          | P+.004<br>-.002 | PP+.004<br>-.002 | R1    | R2    | S±.011 | V<br>MAX. | W<br>MAX. |
|-----------------|------|-------------------|-----------------|------------------|-------|-------|--------|-----------|-----------|
| DTS20x09-xxP/Sx | 09   | M12X1.0-6g 0.100R | .128            | .216             | .719  | .594  | .937   | .822      | .098      |
| DTS20x11-xxP/Sx | 11   | M15X1.0-6g 0.100R | .128            | .194             | .812  | .719  | 1.031  | .822      | .098      |
| DTS20x13-xxP/Sx | 13   | M18X1.0-6g 0.100R | .128            | .194             | .906  | .812  | 1.126  | .822      | .098      |
| DTS20x15-xxP/Sx | 15   | M22X1.0-6g 0.100R | .128            | .173             | .969  | .906  | 1.220  | .822      | .098      |
| DTS20x17-xxP/Sx | 17   | M25X1.0-6g 0.100R | .128            | .194             | 1.062 | .969  | 1.311  | .822      | .098      |
| DTS20x19-xxP/Sx | 19   | M28X1.0-6g 0.100R | .128            | .194             | 1.156 | 1.062 | 1.437  | .822      | .098      |
| DTS20x21-xxP/Sx | 21   | M31X1.0-6g 0.100R | .128            | .194             | 1.250 | 1.156 | 1.563  | .791      | .126      |
| DTS20x23-xxP/Sx | 23   | M34X1.0-6g 0.100R | .154            | .242             | 1.375 | 1.250 | 1.689  | .791      | .126      |
| DTS20x25-xxP/Sx | 25   | M37X1.0-6g 0.100R | .154            | .242             | 1.500 | 1.375 | 1.811  | .791      | .126      |

NOTES:

THIS DRAWING IS A CONTROLLED DOCUMENT.

DWN: EHAB ALAWNEH 070410  
 CHK: JAMES FRIEDHOF 070523  
 APVD: ALEX RENGLEO 110511

**STE** TE Connectivity

NAME: DTS SQUARE FLANGE ENVELOPE

PRODUCT SPEC: -  
 APPLICATION SPEC: -  
 WEIGHT: -

MATERIAL: SEE NOTE 2  
 DIMENSIONS: INCH  
 TOLERANCES UNLESS OTHERWISE SPECIFIED:  
 0 PLC ±  
 1 PLC ±0.1  
 2 PLC ±0.01  
 3 PLC ±0.001  
 4 PLC ±0.0001  
 ANGLES ±

SIZE: A2  
 CAGE CODE: -  
 DRAWING NO: C-DTS20xxx-xxP/Sx  
 RESTRICTED TO: -

SCALE: 2.500  
 SHEET 1 OF 1  
 REV C

# Mouser Electronics

Authorized Distributor

Click to View Pricing, Inventory, Delivery & Lifecycle Information:

[TE Connectivity:](#)

[YDTS20T25-61SN6157](#)