

DWG NO DTB\_XXB\_++

**CONNECTOR TYPE** DTB XX B XX - XX X X

**SHELL TYPE**  
 20 - Square Flange Receptacle  
 24 - Jam Nut Receptacle  
 26 - Plug

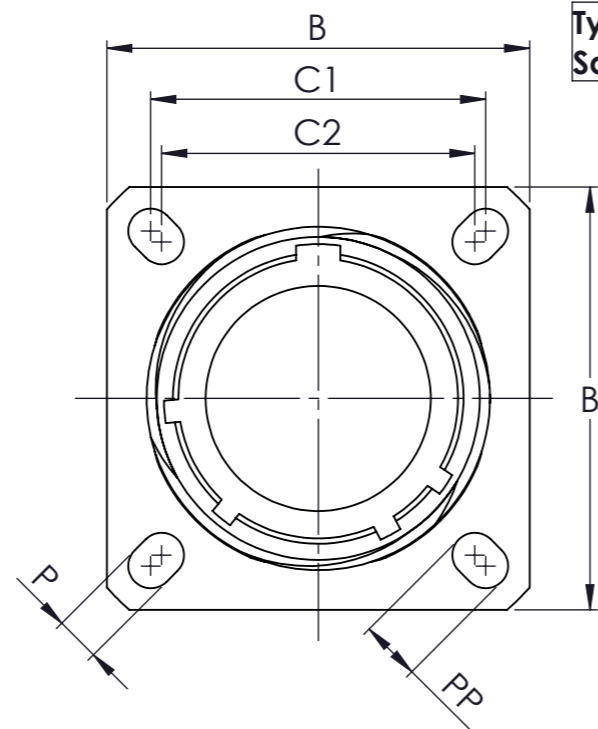
**MATERIAL**  
 B - Marine Bronze

**SHELL SIZE**  
 9, 11, 13, 15, 17, 19, 21, 23, 25

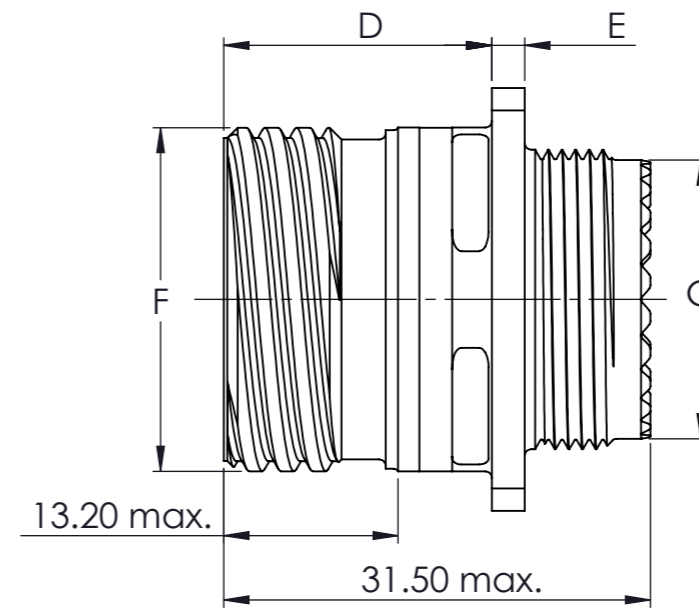
**INSERT ARRANGEMENT**

**CONTACT TYPE**  
 P - Pin  
 S - Socket  
 H - 1500-Cycle Pin  
 J - 1500-Cycle Socket  
 A - Less Pin  
 B - Less Socket  
 U - PCB Pin  
 M - PCB Socket

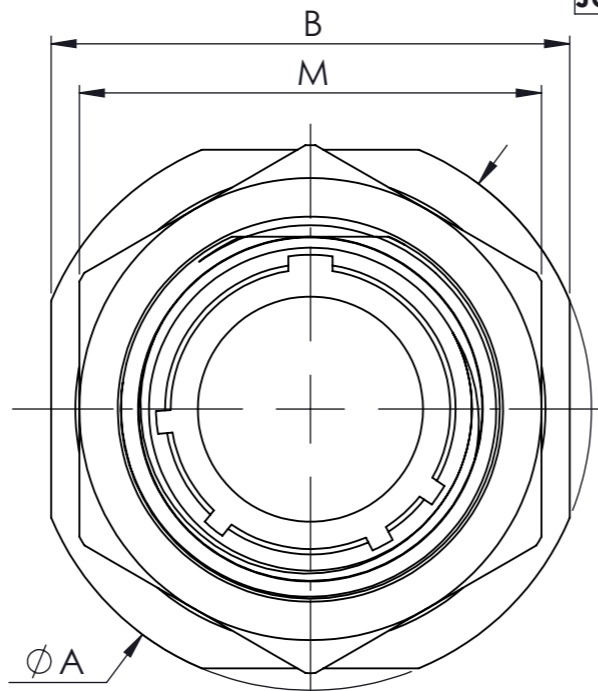
**KEYING**  
 N - Normal  
 A, B, C, D, E



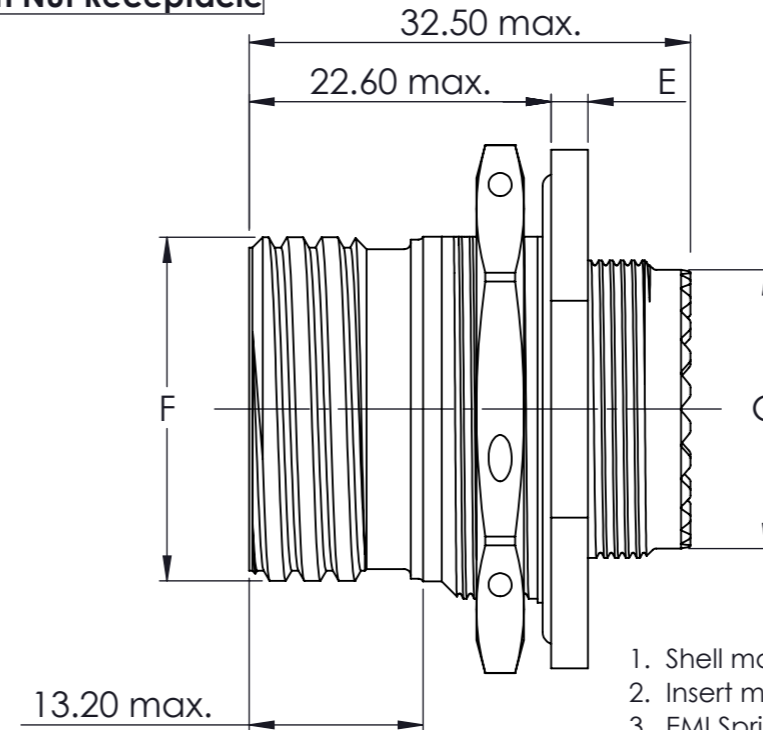
**Type 20  
Square Flange Receptacle**



Size Taille	B ±0.3	C1	C2	D max.	E max.	F ±0.1	G ±0.1	P ±0.2	PP ±0.2
09	23.80	18.26	15.09	20.90	2.50	15.75	11.90	3.25	5.49
11	26.20	20.62	18.26	20.90	2.50	18.90	14.90	3.25	4.93
13	28.60	23.01	20.62	20.90	2.50	22.10	17.90	3.25	4.93
15	31.00	24.61	23.01	20.90	2.50	25.25	21.90	3.25	4.93
17	33.30	26.97	24.61	20.90	2.50	29.95	24.90	3.25	4.93
19	36.50	29.36	26.97	20.90	2.50	31.55	27.90	3.25	4.93
21	39.70	31.75	29.36	20.10	3.20	34.70	30.90	3.25	4.93
23	42.90	34.93	31.75	20.10	3.20	37.90	33.90	3.91	6.15
25	46.00	38.10	34.93	20.10	3.20	41.10	36.90	3.91	6.15



**Type 24  
Jam Nut Receptacle**



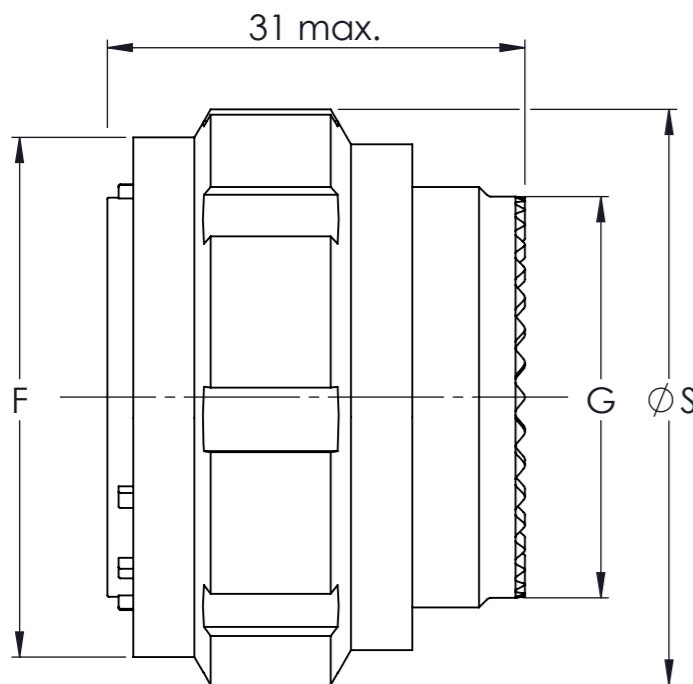
Size Taille	A ±0.3	B ±0.4	E +0.07/ -0.1	F±0.1	G ±0.1	M
09	30.20	27.00	2.20	15.75	11.90	21.82
11	34.90	31.80	2.20	18.90	14.90	24.99
13	38.10	34.90	2.20	22.10	17.90	29.77
15	41.30	38.10	2.20	25.25	21.90	32.91
17	44.50	41.30	2.20	29.95	24.90	36.12
19	49.20	46.00	3.00	31.55	27.90	39.25
21	52.40	49.20	3.00	34.70	30.90	42.47
23	55.60	52.40	3.00	37.90	33.90	45.61
25	58.70	55.20	3.00	41.10	36.90	49.25

**CHARACTERISTIQUES**

1. Shell material : Marine bronze
2. Insert material : Thermoplastic and fluorinated silicone elastomer
3. EMI Spring Fingers : Nickel or cadmium-plated beryllium copper
4. O-Ring : Fluorinated silicone elastomer
5. Temperature range : - 65° C to + 175° C

**NOTE :** The sizes, the arrangements, characteristics, the contacts and tools conform to standard MIL-DTL 38999 series III

**Type 26  
Plug**



Size Taille	F max.	G max.	S max.
09	18.40	11.90	21.80
11	21.10	14.90	25.00
13	25.40	17.90	29.40
15	28.70	21.90	32.50
17	32.20	24.90	35.70
19	34.90	27.90	38.50
21	38.10	30.90	41.70
23	41.10	33.90	44.90
25	44.30	36.90	48.00

DIMENSIONS: MM

TOLERANCES UNLESS OTHERWISE SPECIFIED:

0 PLC	±-
1 PLC	±-0.05
2 PLC	±-0.05
3 PLC	±-0.02
4 PLC	±-

ANGLES ±-°

SURFACE TEXTURE

DWN <b>LAKSHMI SUDHA R</b>	MATERIAL -	HEAT TREAT -
CHK <b>RAKESH S</b>	TE Connectivity	
APVD <b>VINCENT P</b>		
NAME <b>DTB SERIES CONNECTORS</b>		
SCALE <b>2:1</b>	SIZE <b>A3</b>	DRAWING NO <b>DTB_XXB_++</b>
SHEET 1 OF 1		REV <b>A1</b>

THIS DRAWING IS A CONTROLLED DOCUMENT

THIS INFORMATION IS CONFIDENTIAL AND PROPRIETARY TO TYCO ELECTRONICS CORPORATION AND ITS WORLDWIDE SUBSIDIARIES AND AFFILIATES (TE). IT MAY NOT BE DISCLOSED TO ANYONE, OTHER THAN TE PERSONNEL, WITHOUT AUTHORIZATION FROM TE (www.TE.com).

# Mouser Electronics

Authorized Distributor

Click to View Pricing, Inventory, Delivery & Lifecycle Information:

[TE Connectivity:](#)

[ZPF00000000015822](#)