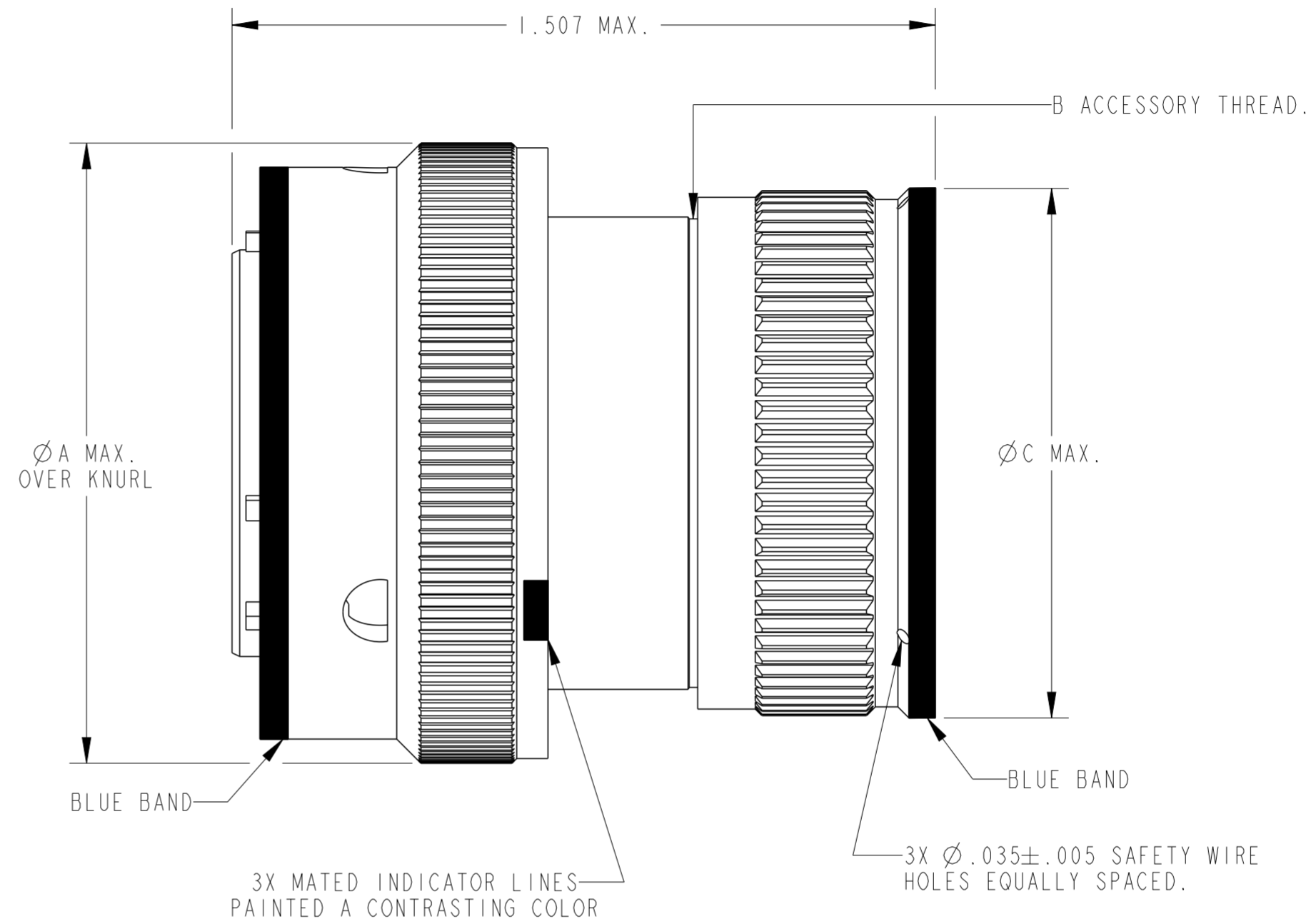
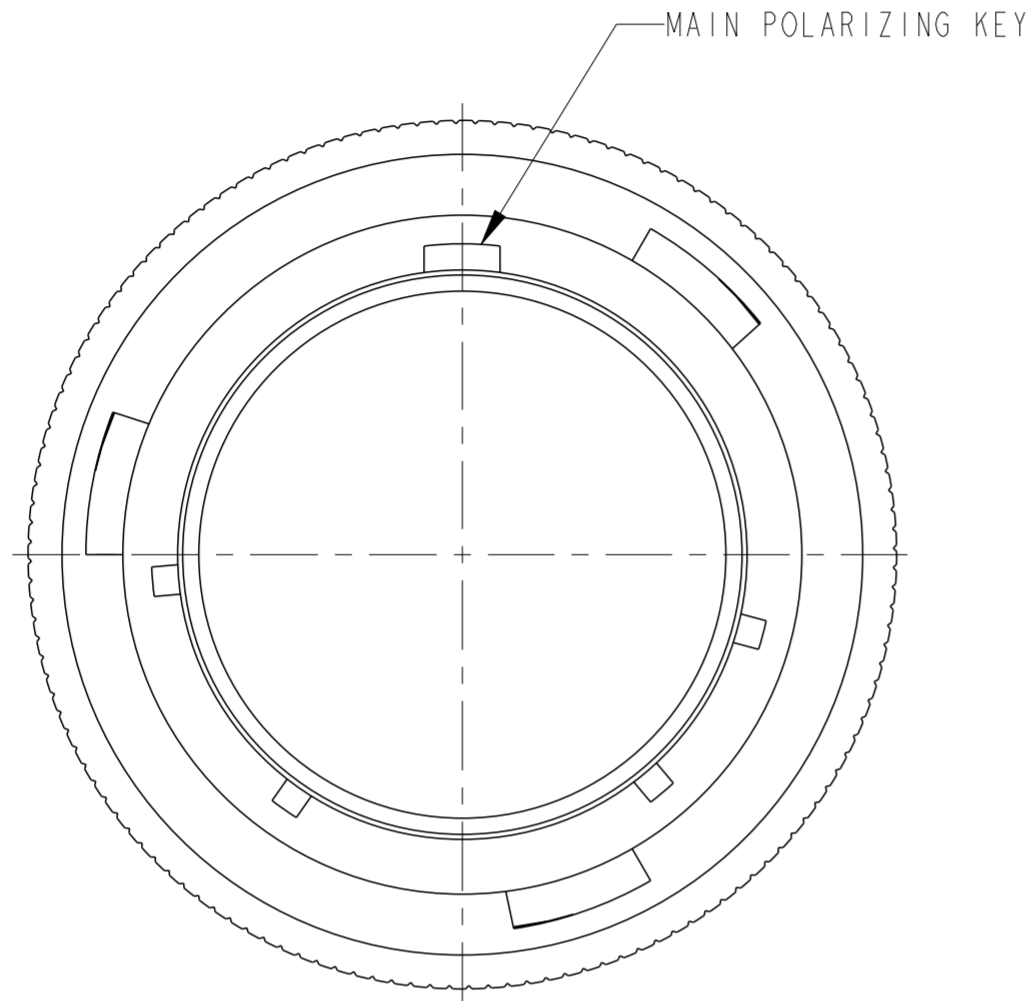


THIS DRAWING IS UNPUBLISHED
 2021 TE Connectivity. All Rights Reserved
 RELEASED FOR PUBLICATION
 ALL RIGHTS RESERVED.

LOC		DIST		REVISIONS			
P	LTR	DESCRIPTION	DATE	DWN	APVD		
D		REVISED PER E.O. C4087	990722	-	MK		
E		REVISED PER ECO-21-000428	210113	IF	AR		
-	-	-	-	-	-		
-	-	-	-	-	-		



PART NUMBER	A MAX	B THREAD	C MAX	MAX. WEIGHT IN LBS	
				PIN	SOC
AFD56-8-xxP/Sx	.782	.500-20 UNF	.617	.0260	.0271
AFD56-10-xxP/Sx	.926	.625-24 UNEF	.734	.0359	.0383
AFD56-12-xxP/Sx	1.043	.750-20 UNEF	.858	.0521	.0554
AFD56-14-xxP/Sx	1.183	.875-20 UNEF	.984	.0673	.0751
AFD56-16-xxP/Sx	1.305	1.000-20 UNEF	1.112	.0798	.0883
AFD56-18-xxP/Sx	1.391	1.0625-18 UNEF	1.218	.0951	.1037
AFD56-20-xxP/Sx	1.531	1.1875-18 UNEF	1.345	.1102	.1213
AFD56-22-xxP/Sx	1.656	1.3125-18 UNEF	1.468	.1318	.1463
AFD56-24-xxP/Sx	1.777	1.4375-18 UNEF	1.593	.1471	.1627

1. CONNECTOR FINISH: ELECTROLESS NICKEL PER MIL-C-26074, CLASS 3 GRADE A.
2. CONNECTOR WEIGHTS ARE SHOWN LESS CONTACTS.
3. FOR BACKSHELL WITH STRAIGHT STRAIN RELIEF OR 90° STRAIN RELIEF, CONSULT FACTORY.
4. THE CONNECTOR IS DESIGNED TO MEET THE PERFORMANCE AND DIMENSIONAL REQUIREMENTS OF MIL-C-26482 CLASS R. AND IS SUPPLIED WITH BACKSHELL.
5. FOR AVAILABLE CONTACT ARRANGEMENTS AND ALTERNATE INSERT POSITIONS, SEE INFORMATION DRAWING 0925-209-0000.

NOTES UNLESS OTHERWISE SPECIFIED:

THIS DRAWING IS A CONTROLLED DOCUMENT.		DWN D. WHITACRE 940630	TE Connectivity	
DIMENSIONS: IN		CHK J. POWELL 940607		
TOLERANCES UNLESS OTHERWISE SPECIFIED:		APVD B. HARRINGTON 940630	NAME CONNECTOR, PLUG	
0 PLC ±.1 1 PLC ±.02 2 PLC ±.005 3 PLC ±.005 4 PLC ±.0005 ANGLES ± FINISH -		PRODUCT SPEC -	BAYONET COUPLING MIL-C-26482 TYPE	
MATERIAL -		APPLICATION SPEC -	SIZE A2	CAGE CODE 111139
SEE NOTES		WEIGHT -	DRAWING NO AFD56-xx-xxP/Sx	RESTRICTED TO -
		CUSTOMER DRAWING	SCALE 1:1	SHEET 1 OF 1
				REV E

Mouser Electronics

Authorized Distributor

Click to View Pricing, Inventory, Delivery & Lifecycle Information:

[TE Connectivity:](#)

[AFD56-14-19SN](#)