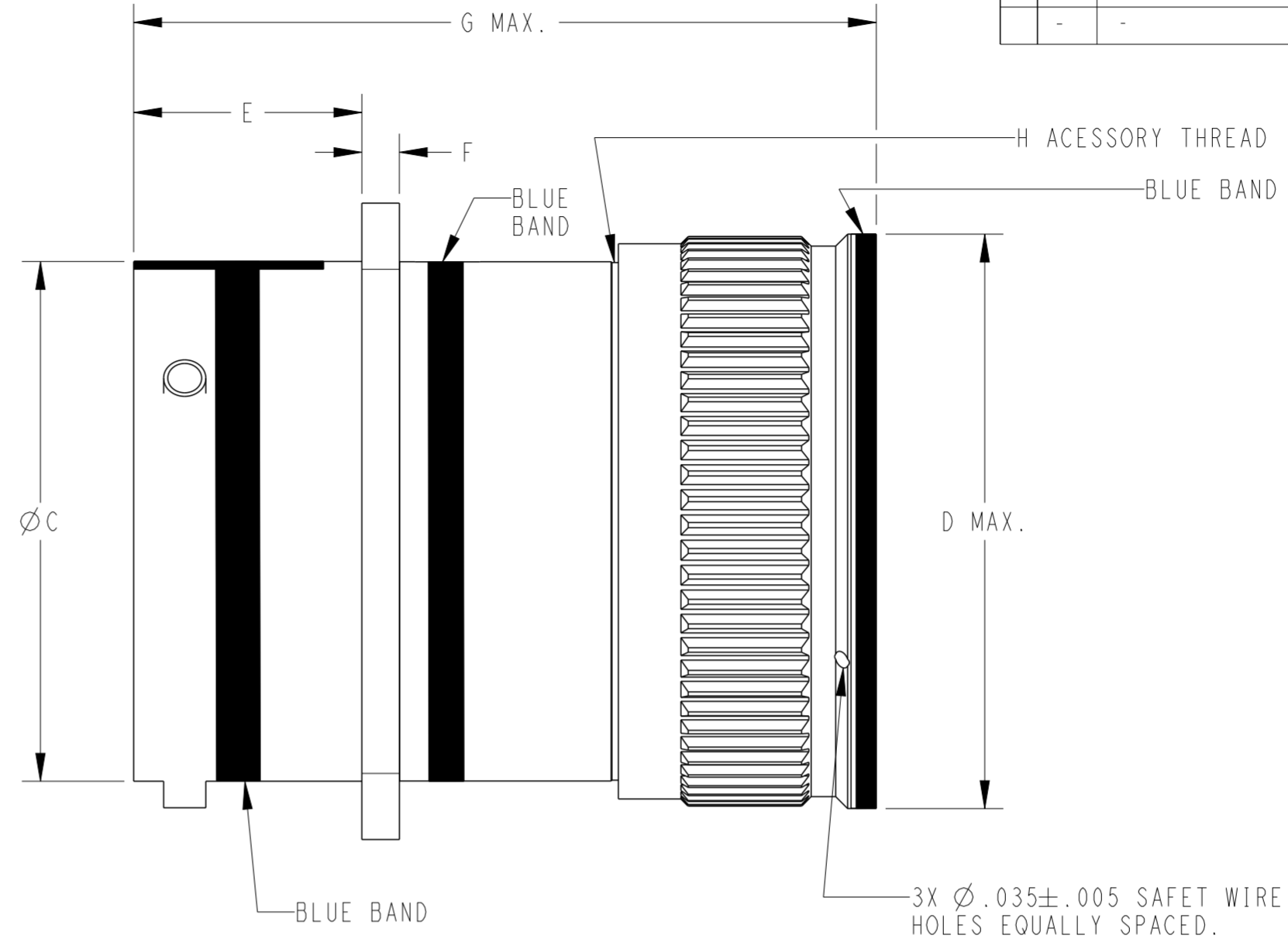
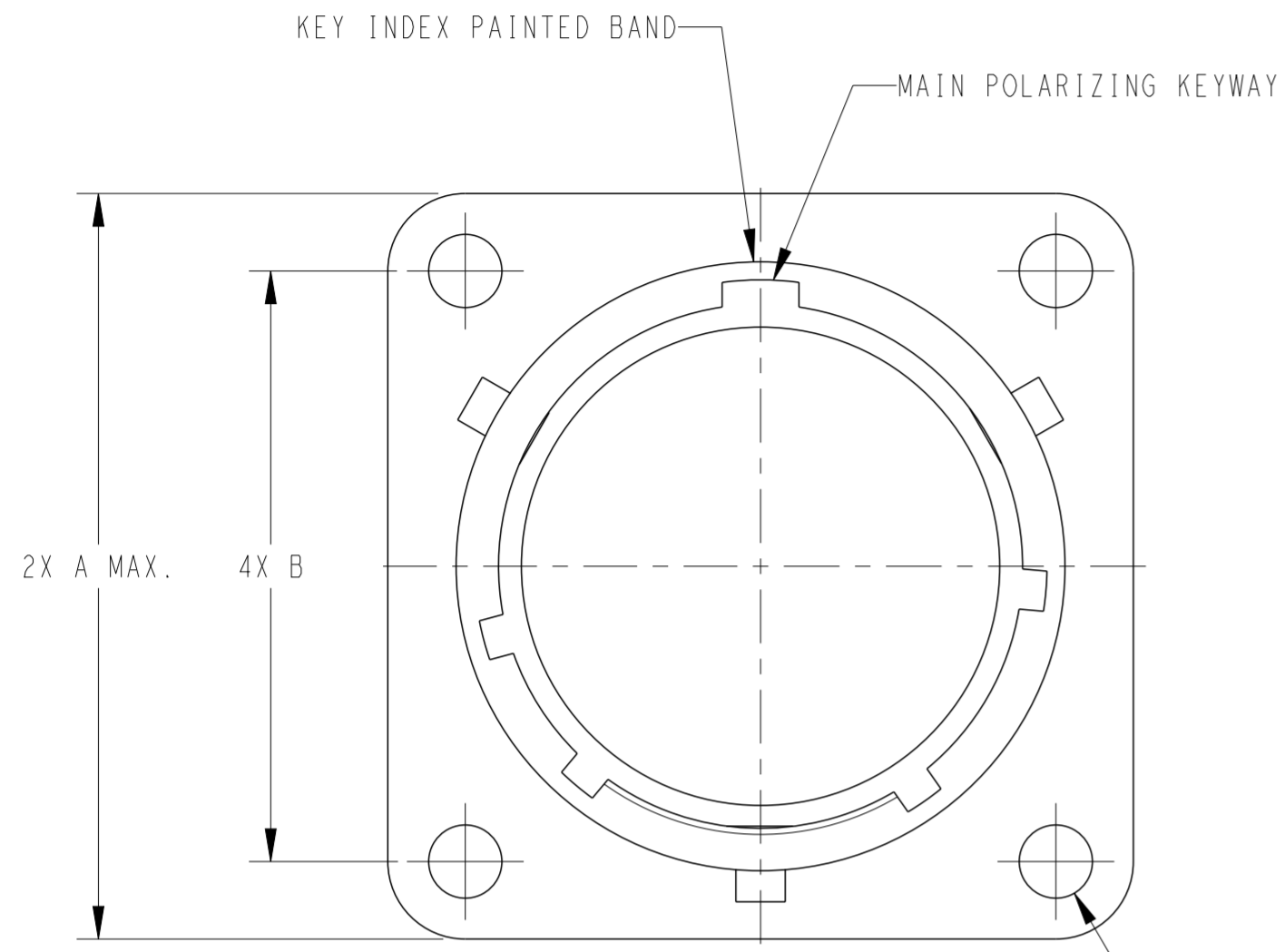


THIS DRAWING IS UNPUBLISHED. 2021 TE Connectivity. All Rights Reserved. RELEASED FOR PUBLICATION ALL RIGHTS RESERVED.

P		LTR	DESCRIPTION	DATE	DWN	APVD
	F		REVISED PER E.O. C4087	990722	NA	MK
	G		REVISED PER ECO-21-000428	210115	IF	AR
	-		-	-	-	-
	-		-	-	-	-



4X MOUNTING HOLE Ø.120±.005 FOR SIZES 8 THRU 22 AND Ø.147±.005 HOLE FOR SIZE 24

PART NUMBER	A MAX	B ±.005	C +.001 -.005	D MAX	E +.031 -.000	F±.015	G MAX	H THREAD	MAX. WEIGHT IN LBS	
									PIN	SOC
AFD50-8-xxP/Sx	.828	.594	.473	.617	.431	.062	1.492	.500-20UNF	.0207	.0227
AFD50-10-xxP/Sx	.954	.719	.590	.734	.431	.062	1.492	.625-24UNEF	.0306	.0317
AFD50-12-xxP/Sx	1.047	.812	.750	.858	.431	.062	1.492	.750-20-UNEF	.0406	.0453
AFD50-14-xxP/Sx	1.141	.906	.875	.984	.431	.062	1.492	.875-20UNEF	.0503	.0555
AFD50-16-xxP/Sx	1.234	.969	1.000	1.112	.431	.062	1.492	1.000-20UNEF	.0632	.0715
AFD50-18-xxP/Sx	1.328	1.062	1.125	1.218	.431	.062	1.492	1.0625-18UNEF	.0716	.0770
AFD50-20-xxP/Sx	1.453	1.156	1.250	1.345	.556	.094	1.552	1.1875-18UNEF	.0893	.0902
AFD50-22-xxP/Sx	1.578	1.250	1.375	1.468	.556	.094	1.552	1.3125-18UNEF	.1018	.1128
AFD50-24-xxP/Sx	1.703	1.375	1.500	1.593	.589	.094	1.552	1.4375-18UNEF	.1214	.1352

- CONNECTOR FINISH: ELECTROLESS NICKEL PER MIL-C-26074, CLASS 3 GRADE A.
- CONNECTOR WEIGHTS ARE SHOWN LESS CONTACTS.
- FOR BACKSHELL WITH STRAIGHT STRAIN RELIEF OR 90° STRAIN RELIEF, CONSULT FACTORY.
- THE CONNECTOR IS DESIGNED TO MEET THE PERFORMANCE AND DIMENSIONAL REQUIREMENTS OF MIL-C-26482 CLASS R. AND IS SUPPLIED WITH BACKSHELL.
- FOR AVAILABLE CONTACT ARRANGEMENTS AND ALTERNATE INSERT POSITIONS, SEE INFORMATION DRAWING 0925-209-0000.

NOTES UNLESS OTHERWISE SPECIFIED:

THIS DRAWING IS A CONTROLLED DOCUMENT.		DWN D. WHITACRE 940630	TE Connectivity		
DIMENSIONS: IN		CHK J. POWELL 940706			
TOLERANCES UNLESS OTHERWISE SPECIFIED:		APVD B. HARRINGTON 940630	NAME RECEPTACLE SQUARE FLANGE MTG. BAYONET COUPLING CONNECTOR MIL-C-26482 TYPE		
0 PLC ±- 1 PLC ±.1 2 PLC ±.01 3 PLC ±.001 4 PLC ±.0001 ANGLES ±		PRODUCT SPEC MIL-C-26482	SIZE A2	CAGE CODE 111139	DRAWING NO. AFD50-xx-xxP/Sx
MATERIAL -		FINISH -	WEIGHT -	RESTRICTED TO -	SCALE 7:2
SEE NOTES		CUSTOMER DRAWING	SHEET 1	OF 1	REV G

Mouser Electronics

Authorized Distributor

Click to View Pricing, Inventory, Delivery & Lifecycle Information:

[TE Connectivity:](#)

[AFD50-18-11SN-6117](#)