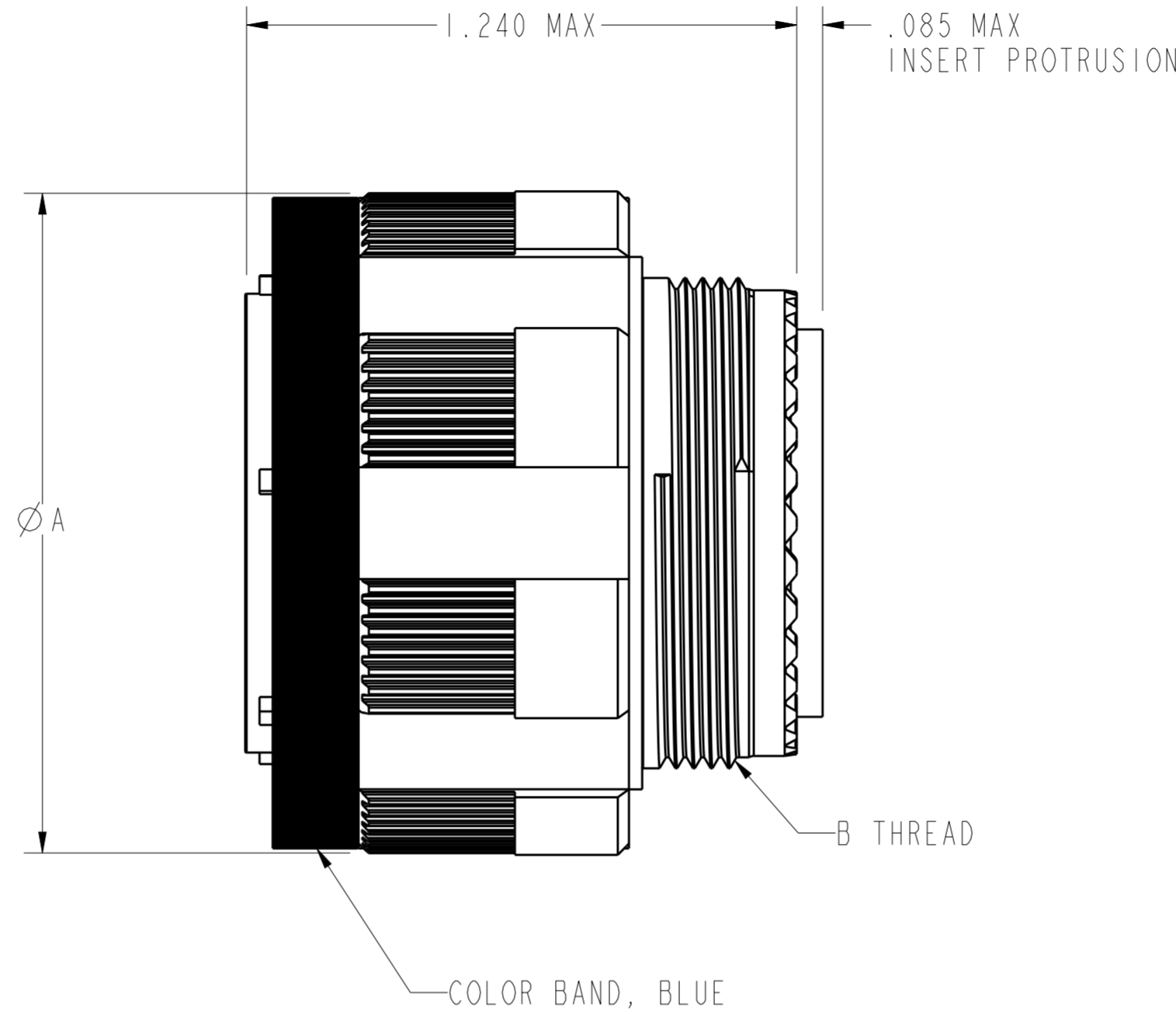
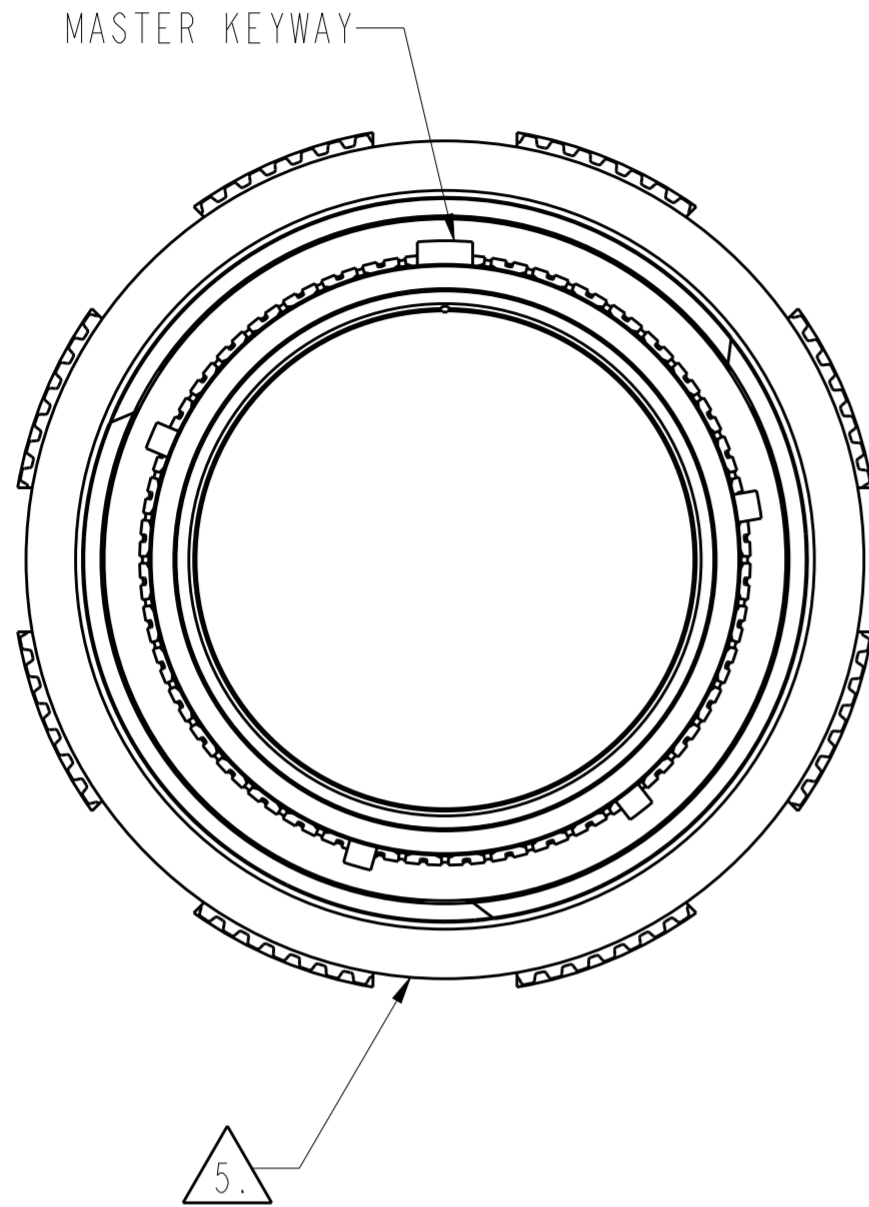


THIS DRAWING IS UNPUBLISHED. RELEASED FOR PUBLICATION 20
 © COPYRIGHT 20 BY - ALL RIGHTS RESERVED.

T.E. PROPRIETARY AND CONFIDENTIAL
 This drawing contains proprietary information that shall not be disclosed, duplicated nor used in whole or in part for any purpose other than to evaluate this drawing.

| LOC | | DIST | | REVISIONS | | | |
|-----|-----|-------------|-----------------|-----------|------|----|--|
| P | LTR | DESCRIPTION | DATE | DWN | APVD | | |
| - | - | A | INITIAL RELEASE | 180118 | PF | AR | |



ACT 26 X X XX X X

KEYING POSITION
 CONTACT CODE
 P = 500 CYCLE PIN
 S = 500 CYCLE SOCKET
 A = LESS PIN
 B = LESS SOCKET
 H = 1500 CYCLE PIN
 J = 1500 CYCLE SOCKET

INSERT ARRANGEMENT
 SHELL SIZE
 FINISH
 J = OLIVE DRAB CADMIUM
 M = NICKEL

STRAIGHT PLUG
 GENERAL IDENTIFIER
 ACT = ALL COMPOSITE TECHNOLOGY

| PART NUMBER | SHELL SIZE | Ø A MAX. | B THREAD |
|-------------|------------|----------|-------------------|
| ACT26xAxxxx | 09 | .858 | M12x1.0-6g 0.100R |
| ACT26xBxxxx | 11 | .984 | M15x1.0-6g 0.100R |
| ACT26xCxxxx | 13 | 1.157 | M18x1.0-6g 0.100R |
| ACT26xDxxxx | 15 | 1.280 | M22x1.0-6g 0.100R |
| ACT26xExxxx | 17 | 1.406 | M25x1.0-6g 0.100R |
| ACT26xFxxxx | 19 | 1.516 | M28x1.0-6g 0.100R |
| ACT26xGxxxx | 21 | 1.642 | M31x1.0-6g 0.100R |
| ACT26xHxxxx | 23 | 1.768 | M34x1.0-6g 0.100R |
| ACT26xJxxxx | 25 | 1.890 | M37x1.0-6g 0.100R |

5. FOUR FLATS FOR SHELL SIZES A - E.
 EIGHT FLATS FOR SHELL SIZES F - J.

4. FOR APPLICABLE KEYING DIAGRAM, SEE MIL-DTL-38999.
 FOR INSERT ARRANGEMENTS, SEE MIL-STD-1560. CONSULT
 FACTORY FOR AVAILABILITY.

3. GENERAL SPECIFICATIONS: THIS CONNECTOR MEETS THE
 INTERMATEABILITY REQUIREMENTS OF MIL-DTL-38999 SERIES III.

2. MATERIAL/FINISH
 SHELL - COMPOSITE, PLATED.
 COUPLING RING - COMPOSITE, UNPLATED.
 CONTACTS - COPPER ALLOY, DEUTSCHCOAT V (H/J) OR GOLD (P/S).
 RESILIENT INSERTS - SILICONE ELASTOMER.
 PLASTIC INSERTS - THERMOPLASTIC.

1. ALL DIMENSIONS ARE IN INCHES UNLESS OTHERWISE SPECIFIED.
 THREAD CALLOUT IS METRIC.

| | | | | |
|---|--|----------------------------|----------------------------|-------------------------------------|
| THIS DRAWING IS A CONTROLLED DOCUMENT. | | DWN 150102 CRAIG BROWN | STE TE Connectivity | |
| | | CHK 150102 EHAB ALAWNEH | | |
| DIMENSIONS: INCH | | APVD - | | NAME ACT SERIES PLUG ENVELOPE |
| TOLERANCES UNLESS OTHERWISE SPECIFIED: 0 PLC ± 1 PLC ±0.1 2 PLC ±0.01 3 PLC ±0.005 4 PLC ±0.0001 ANGLES ± FINISH | | PRODUCT SPEC - | | SIZE A2 |
| MATERIAL - | | APPLICATION SPEC - | | CAGE CODE - |
| | | WEIGHT - | | DRAWING NO ACT26xxxxxx |
| | | CUSTOMER DRAWING | | RESTRICTED TO - |
| | | SCALE 3.000 | | SHEET 1 OF 1 REV A |

Mouser Electronics

Authorized Distributor

Click to View Pricing, Inventory, Delivery & Lifecycle Information:

[TE Connectivity:](#)

[YACT26JA35JC000000](#)