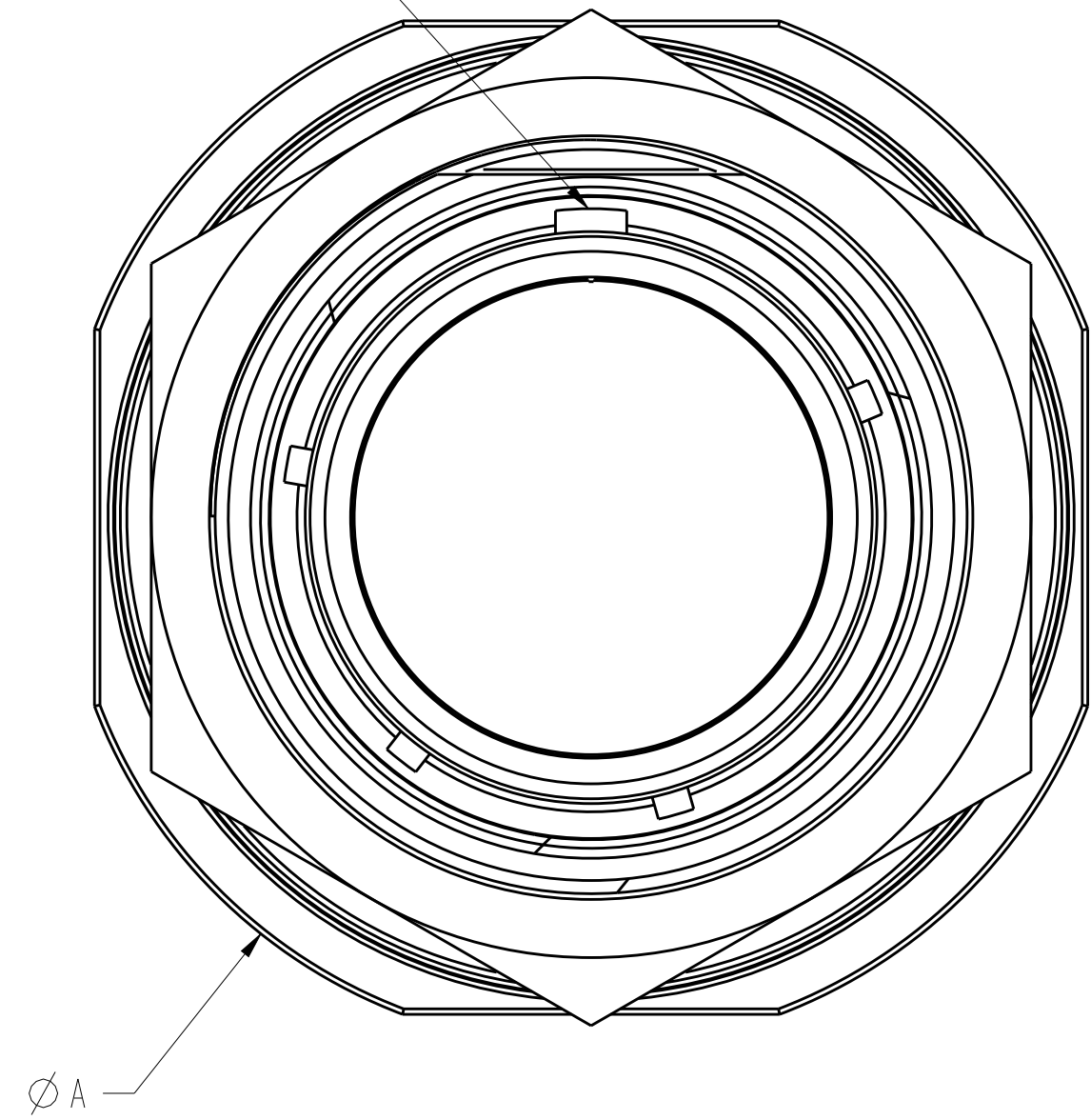


THIS DRAWING IS UNPUBLISHED. RELEASED FOR PUBLICATION 20
 © COPYRIGHT 20 BY - ALL RIGHTS RESERVED.

T.E. PROPRIETARY AND CONFIDENTIAL
 This drawing contains proprietary information that shall not be disclosed, duplicated nor used in whole or in part for any purpose other than to evaluate this drawing.

LOC		DIST		REVISIONS			
P	LTR	DESCRIPTION	DATE	DWN	APVD		
-	-	A	INITIAL RELEASE	180118	PF	AR	

MASTER KEYWAY



ACT 24 X X XX X X

KEYING POSITION
 CONTACT CODE
 P = 500 CYCLE PIN
 S = 500 CYCLE SOCKET
 A = LESS PIN
 B = LESS SOCKET
 H = 1500 CYCLE PIN
 J = 1500 CYCLE SOCKET

INSERT ARRANGEMENT
 SHELL SIZE
 FINISH
 J = OLIVE DRAB CADMIUM
 M = NICKEL

JAM NUT RECEPTACLE
 GENERAL IDENTIFIER
 ACT = ALL COMPOSITE TECHNOLOGY

- ALL DIMENSIONS ARE IN INCHES UNLESS OTHERWISE SPECIFIED. THREAD CALLOUT IS METRIC.
- MATERIAL/FINISH
 SHELL - COMPOSITE, PLATED.
 O-RING: FLUOROSILICONE, SILICONE.
 PANEL NUT - COMPOSITE, PLATED.
 CONTACTS - COPPER ALLOY, DEUTSCHCOAT V (H/J) OR GOLD (P/S).
 RESILIENT INSERTS - SILICONE ELASTOMER.
 PLASTIC INSERTS - THERMOPLASTIC.
- GENERAL SPECIFICATIONS: THIS CONNECTOR MEETS THE INTERMATEABILITY REQUIREMENTS OF MIL-DTL-38999 SERIES III.
- FOR APPLICABLE KEYING DIAGRAM, SEE MIL-DTL-38999. FOR INSERT ARRANGEMENTS, SEE MIL-STD-1560. CONSULT FACTORY FOR AVAILABILITY.

PART NUMBER	SHELL SIZE	ØA ±.012	B FLAT ±.005	C THREAD	D THREAD
ACT24xAxxxx	09	1.189	.650	M17x1.0-6g 0.100R	M12x1.0-6g 0.100R
ACT24xBxxxx	11	1.374	.750	M20x1.0-6g 0.100R	M15x1.0-6g 0.100R
ACT24xCxxxx	13	1.500	.937	M25x1.0-6g 0.100R	M18x1.0-6g 0.100R
ACT24xDxxxx	15	1.626	1.061	M28x1.0-6g 0.100R	M22x1.0-6g 0.100R
ACT24xExxxx	17	1.752	1.186	M32x1.0-6g 0.100R	M25x1.0-6g 0.100R
ACT24xFxxxx	19	1.937	1.311	M35x1.0-6g 0.100R	M28x1.0-6g 0.100R
ACT24xGxxxx	21	2.063	1.436	M38x1.0-6g 0.100R	M31x1.0-6g 0.100R
ACT24xHxxxx	23	2.189	1.561	M41x1.0-6g 0.100R	M34x1.0-6g 0.100R
ACT24xJxxxx	25	2.311	1.686	M44x1.0-6g 0.100R	M37x1.0-6g 0.100R

THIS DRAWING IS A CONTROLLED DOCUMENT.

DWN CRAIG BROWN 150102
 CHK EHAB ALAWNEH 150102

APVD -

NAME ACT SERIES JAM NUT RECEPTACLE ENVELOPE

PRODUCT SPEC -
 APPLICATION SPEC -
 WEIGHT -

SIZE A2 CAGE CODE - DRAWING NO. ACT24xxxxxx RESTRICTED TO -
 SCALE 3.000 SHEET 1 OF 1 REV A

CUSTOMER DRAWING

Mouser Electronics

Authorized Distributor

Click to View Pricing, Inventory, Delivery & Lifecycle Information:

[TE Connectivity:](#)

[YACT24MD18SA-61490](#)