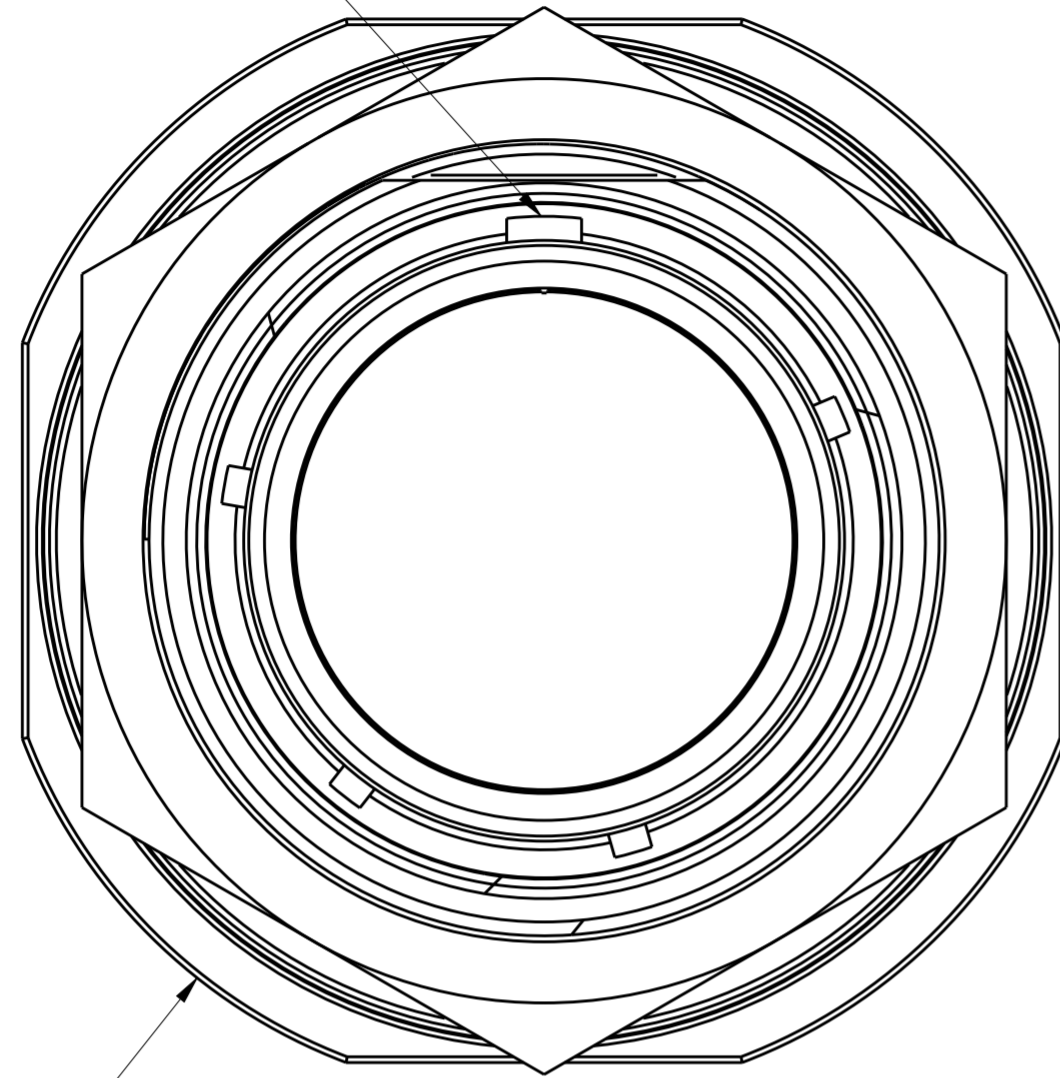


THIS DRAWING IS UNPUBLISHED. RELEASED FOR PUBLICATION 20
 © COPYRIGHT 20 BY - ALL RIGHTS RESERVED.

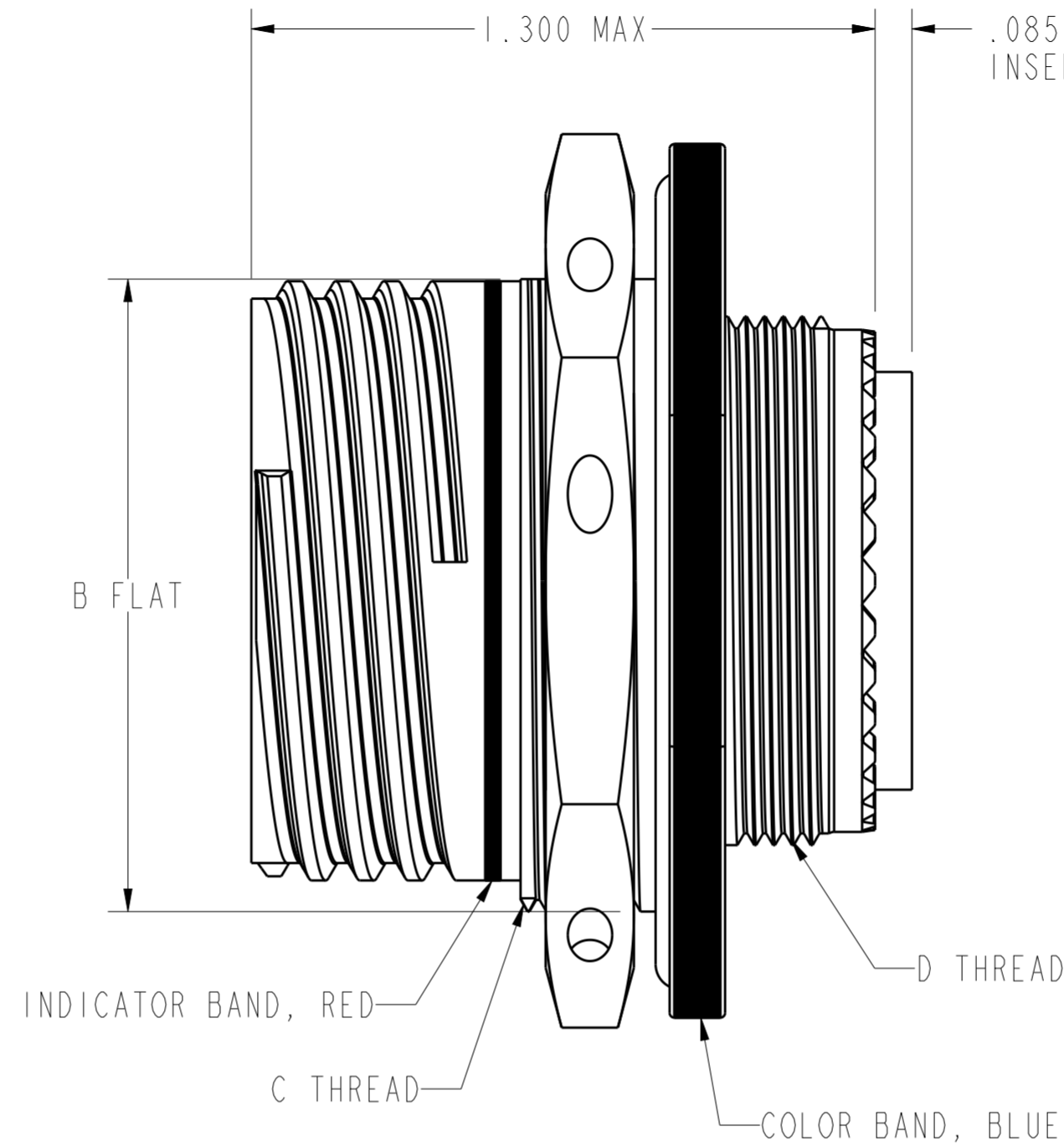
T.E. PROPRIETARY AND CONFIDENTIAL
 This drawing contains proprietary information that shall not be disclosed, duplicated nor used in whole or in part for any purpose other than to evaluate this drawing.

| LOC | | DIST | | REVISIONS | | | |
|-----|-----|-------------|-----------------|-----------|------|----|--|
| P | LTR | DESCRIPTION | DATE | DWN | APVD | | |
| - | - | A | INITIAL RELEASE | 180118 | PF | AR | |

MASTER KEYWAY



ØA



ACT 24 X X XX X X

KEYING POSITION
 CONTACT CODE
 P = 500 CYCLE PIN
 S = 500 CYCLE SOCKET
 A = LESS PIN
 B = LESS SOCKET
 H = 1500 CYCLE PIN
 J = 1500 CYCLE SOCKET

INSERT ARRANGEMENT
 SHELL SIZE
 FINISH
 J = OLIVE DRAB CADMIUM
 M = NICKEL

JAM NUT RECEPTACLE
 GENERAL IDENTIFIER
 ACT = ALL COMPOSITE TECHNOLOGY

- FOR APPLICABLE KEYING DIAGRAM, SEE MIL-DTL-38999. FOR INSERT ARRANGEMENTS, SEE MIL-STD-1560. CONSULT FACTORY FOR AVAILABILITY.
- GENERAL SPECIFICATIONS: THIS CONNECTOR MEETS THE INTERMATEABILITY REQUIREMENTS OF MIL-DTL-38999 SERIES III.

- MATERIAL/FINISH
 SHELL - COMPOSITE, PLATED.
 O-RING: FLUOROSILICONE, SILICONE.
 PANEL NUT - COMPOSITE, PLATED.
 CONTACTS - COPPER ALLOY, DEUTSCHCOAT V (H/J) OR GOLD (P/S).
 RESILIENT INSERTS - SILICONE ELASTOMER.
 PLASTIC INSERTS - THERMOPLASTIC.

- ALL DIMENSIONS ARE IN INCHES UNLESS OTHERWISE SPECIFIED. THREAD CALLOUT IS METRIC.

| PART NUMBER | SHELL SIZE | ØA ±.012 | B FLAT ±.005 | C THREAD | D THREAD |
|-------------|------------|----------|--------------|-------------------|-------------------|
| ACT24xAxxxx | 09 | 1.189 | .650 | M17x1.0-6g 0.100R | M12x1.0-6g 0.100R |
| ACT24xBxxxx | 11 | 1.374 | .750 | M20x1.0-6g 0.100R | M15x1.0-6g 0.100R |
| ACT24xCxxxx | 13 | 1.500 | .937 | M25x1.0-6g 0.100R | M18x1.0-6g 0.100R |
| ACT24xDxxxx | 15 | 1.626 | 1.061 | M28x1.0-6g 0.100R | M22x1.0-6g 0.100R |
| ACT24xExxxx | 17 | 1.752 | 1.186 | M32x1.0-6g 0.100R | M25x1.0-6g 0.100R |
| ACT24xFxxxx | 19 | 1.937 | 1.311 | M35x1.0-6g 0.100R | M28x1.0-6g 0.100R |
| ACT24xGxxxx | 21 | 2.063 | 1.436 | M38x1.0-6g 0.100R | M31x1.0-6g 0.100R |
| ACT24xHxxxx | 23 | 2.189 | 1.561 | M41x1.0-6g 0.100R | M34x1.0-6g 0.100R |
| ACT24xJxxxx | 25 | 2.311 | 1.686 | M44x1.0-6g 0.100R | M37x1.0-6g 0.100R |

THIS DRAWING IS A CONTROLLED DOCUMENT.

DWN CRAIG BROWN 150102
 CHK EHAB ALAWNEH 150102

APVD -

NAME ACT SERIES JAM NUT RECEPTACLE ENVELOPE

PRODUCT SPEC -

APPLICATION SPEC -

WEIGHT -

CUSTOMER DRAWING

SIZE A2 CAGE CODE - DRAWING NO. ACT24xxxxxx RESTRICTED TO -

SCALE 3.000 SHEET 1 OF 1 REV A

1471-9 (3/11)

Mouser Electronics

Authorized Distributor

Click to View Pricing, Inventory, Delivery & Lifecycle Information:

[TE Connectivity:](#)

[YACT24MB98PA000000](#)