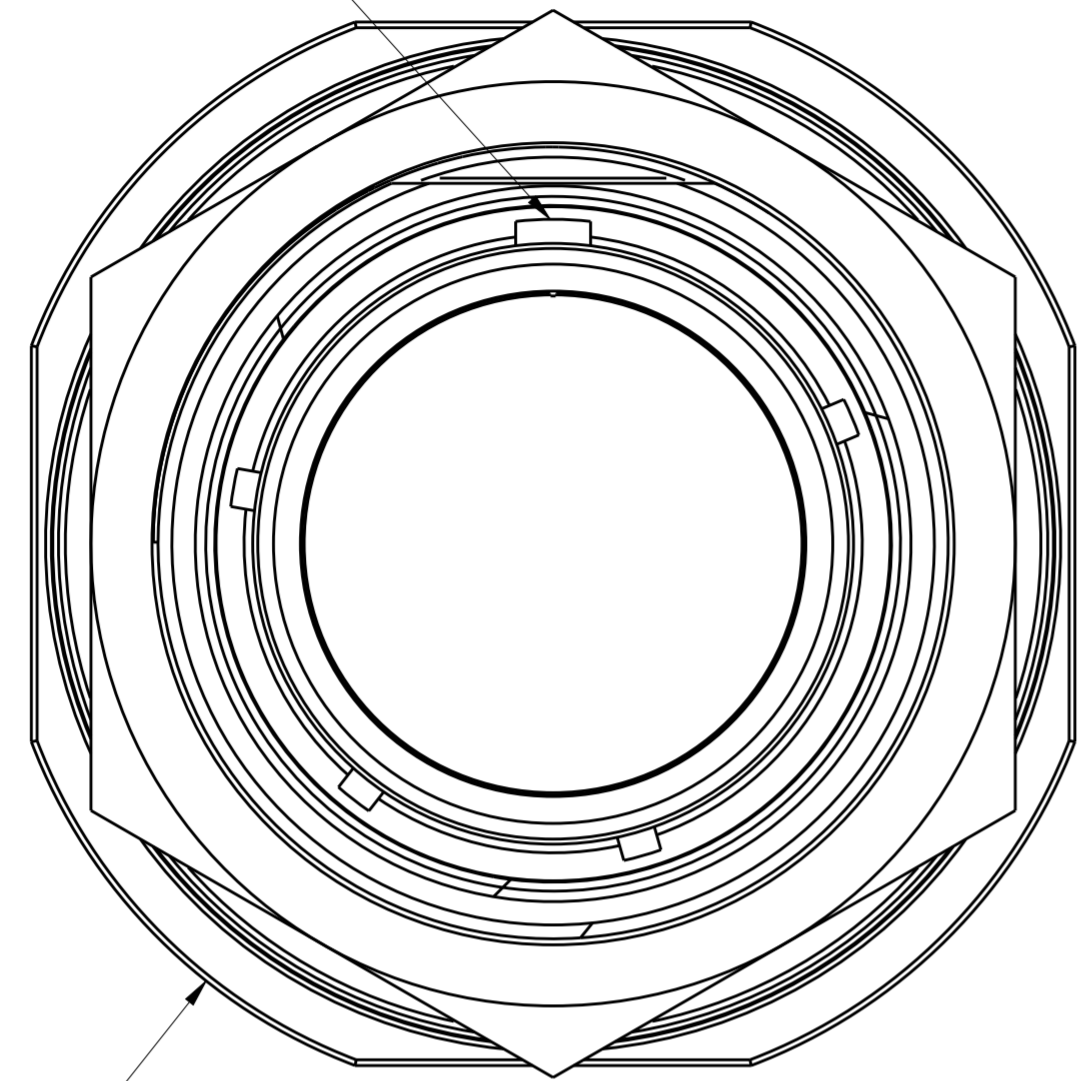


THIS DRAWING IS UNPUBLISHED. RELEASED FOR PUBLICATION 20  
 © COPYRIGHT 20 BY - ALL RIGHTS RESERVED.

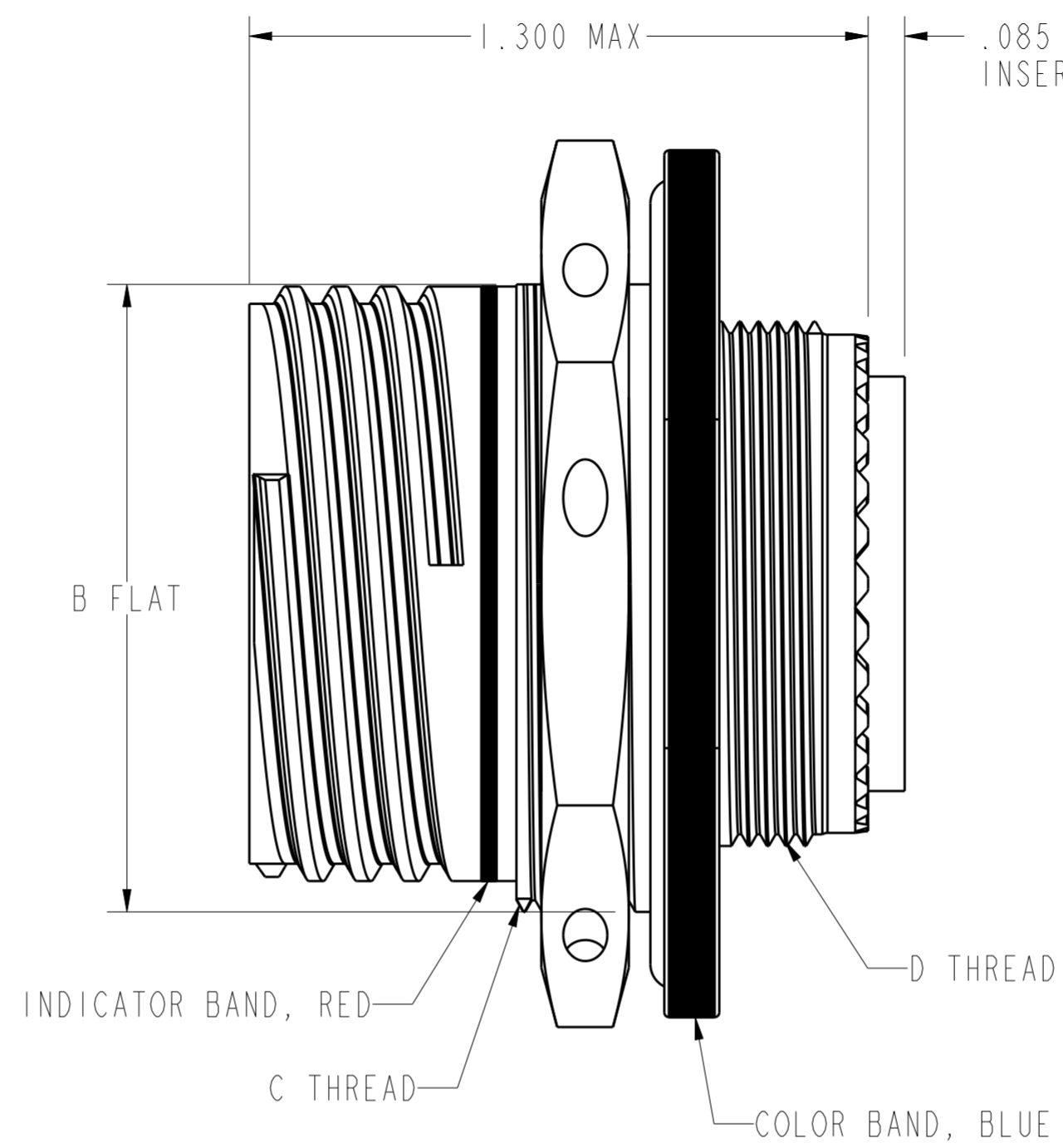
**T.E. PROPRIETARY AND CONFIDENTIAL**  
 This drawing contains proprietary information that shall not be disclosed, duplicated nor used in whole or in part for any purpose other than to evaluate this drawing.

LOC		DIST		REVISIONS			
P	LTR	DESCRIPTION	DATE	DWN	APVD		
-	-	A	INITIAL RELEASE	180118	PF	AR	

MASTER KEYWAY



ØA



ACT 24 X X XX X X

KEYING POSITION  
 CONTACT CODE  
 P = 500 CYCLE PIN  
 S = 500 CYCLE SOCKET  
 A = LESS PIN  
 B = LESS SOCKET  
 H = 1500 CYCLE PIN  
 J = 1500 CYCLE SOCKET

INSERT ARRANGEMENT  
 SHELL SIZE  
 FINISH  
 J = OLIVE DRAB CADMIUM  
 M = NICKEL

JAM NUT RECEPTACLE  
 GENERAL IDENTIFIER  
 ACT = ALL COMPOSITE TECHNOLOGY

- ALL DIMENSIONS ARE IN INCHES UNLESS OTHERWISE SPECIFIED. THREAD CALLOUT IS METRIC.
- MATERIAL/FINISH  
 SHELL - COMPOSITE, PLATED.  
 O-RING: FLUOROSILICONE, SILICONE.  
 PANEL NUT - COMPOSITE, PLATED.  
 CONTACTS - COPPER ALLOY, DEUTSCHCOAT V (H/J) OR GOLD (P/S).  
 RESILIENT INSERTS - SILICONE ELASTOMER.  
 PLASTIC INSERTS - THERMOPLASTIC.
- GENERAL SPECIFICATIONS: THIS CONNECTOR MEETS THE INTERMATEABILITY REQUIREMENTS OF MIL-DTL-38999 SERIES III.
- FOR APPLICABLE KEYING DIAGRAM, SEE MIL-DTL-38999. FOR INSERT ARRANGEMENTS, SEE MIL-STD-1560. CONSULT FACTORY FOR AVAILABILITY.

PART NUMBER	SHELL SIZE	ØA ±.012	B FLAT ±.005	C THREAD	D THREAD
ACT24xAxxxx	09	1.189	.650	M17x1.0-6g 0.100R	M12x1.0-6g 0.100R
ACT24xBxxxx	11	1.374	.750	M20x1.0-6g 0.100R	M15x1.0-6g 0.100R
ACT24xCxxxx	13	1.500	.937	M25x1.0-6g 0.100R	M18x1.0-6g 0.100R
ACT24xDxxxx	15	1.626	1.061	M28x1.0-6g 0.100R	M22x1.0-6g 0.100R
ACT24xExxxx	17	1.752	1.186	M32x1.0-6g 0.100R	M25x1.0-6g 0.100R
ACT24xFxxxx	19	1.937	1.311	M35x1.0-6g 0.100R	M28x1.0-6g 0.100R
ACT24xGxxxx	21	2.063	1.436	M38x1.0-6g 0.100R	M31x1.0-6g 0.100R
ACT24xHxxxx	23	2.189	1.561	M41x1.0-6g 0.100R	M34x1.0-6g 0.100R
ACT24xJxxxx	25	2.311	1.686	M44x1.0-6g 0.100R	M37x1.0-6g 0.100R

THIS DRAWING IS A CONTROLLED DOCUMENT.

DWN CRAIG BROWN 150102  
 CHK EHAB ALAWNEH 150102

APVD -

NAME ACT SERIES JAM NUT RECEPTACLE ENVELOPE

PRODUCT SPEC -

APPLICATION SPEC -

WEIGHT -

CUSTOMER DRAWING

SIZE A2 CAGE CODE - DRAWING NO. ACT24xxxxxx RESTRICTED TO -

SCALE 3.000 SHEET 1 OF 1 REV A

1471-9 (3/11)

# Mouser Electronics

Authorized Distributor

Click to View Pricing, Inventory, Delivery & Lifecycle Information:

[TE Connectivity:](#)

[YACT24MA98PD-61490](#)